

CYLINDRISKA KUGGHJUL I STÅL

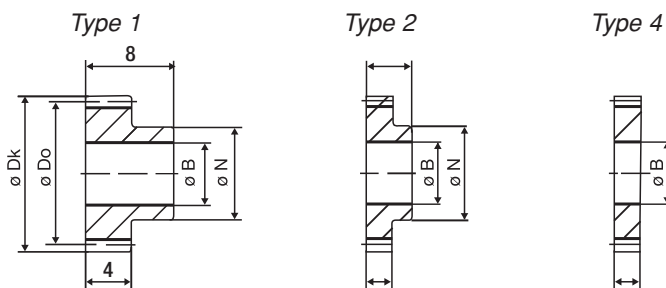
STEEL SPURGEARS

Modul 0.5 raxskurna kuggar
Module 0.5 straight toothed

Ingreppsvinkel 20°
 Pressure angle 20°

Material: SS 1672
 Material: SS 1672

Toleranser: B = H7
 Tolerance: B = H7



Antal tänder No of teeth		Best. Nr. Code			Md	Best. Nr. Code		Md	Best. Nr. Code		Md
Z	B	N	Dk	Do	Type 1	(Nm)	Type 2	(Nm)	Type 4	(Nm)	
12	2	4	7.0	6.0	S-0512-04	-	-	-	-	-	
13	2	5	7.5	6.5	S-0513-04	-	-	-	-	-	
14	2	5	8.0	7.0	S-0514-04	-	-	-	-	-	
15	3	6	8.5	7.5	S-0515-04	-	-	-	-	-	
16	3	6	9.0	8.0	S-0516-04	-	-	-	-	-	
17	3	6	9.5	8.5	S-0517-04	-	-	-	-	-	
18	3	6	10.0	9.0	S-0518-04	-	-	-	-	-	
19	3	8	10.5	9.5	S-0519-04	-	-	-	-	-	
20	3	8	11.0	10.0	S-0520-04	-	-	-	-	-	
21	3	8	11.5	10.5	S-0521-04	-	-	-	-	-	
22	3	8	12.0	11.0	S-0522-04	-	-	-	-	-	
23	3	8	12.5	11.5	S-0523-04	-	-	-	-	-	
24	3	8	13.0	12.0	S-0524-04	-	-	-	-	-	
25	4	10	13.5	12.5	S-0525-04	-	-	-	-	-	
26	4	10	14.0	13.0	S-0526-04	-	-	-	-	-	
27	4	10	14.5	13.5	S-0527-04	-	-	-	-	-	
28	4	10	15.0	14.0	S-0528-04	-	-	-	-	-	
29	4	10	15.5	14.5	S-0529-04	-	-	-	-	-	
30	4	10	16.0	15.0	S-0530-04	-	-	-	-	-	
31	4	12	16.5	15.5	S-0531-04	-	-	-	-	-	
32	4	12	17.0	16.0	S-0532-04	-	-	-	-	-	
33	4	12	17.5	16.5	S-0533-04	-	-	-	-	-	
34	4	12	18.0	17.0	S-0534-04	-	-	-	-	-	
35	4	12	18.5	17.5	S-0535-04	-	-	-	-	-	
36	4	12	19.0	18.0	S-0536-04	-	-	-	-	-	
37	4	12	19.5	18.5	S-0537-04	-	-	-	-	-	
38	4	12	20.0	19.0	S-0538-04	-	-	-	-	-	
39	4	12	20.5	19.5	S-0539-04	-	-	-	-	-	
40	4	12	21.0	20.0	S-0540-04	-	-	-	-	-	
41	5	15	21.5	20.5	S-0541-04	-	-	-	-	-	
42	5	15	22.0	21.0	S-0542-04	-	-	-	-	-	
43	5	15	22.5	21.5	S-0543-04	-	-	-	-	-	
44	5	15	23.0	22.0	S-0544-04	-	-	-	-	-	
45	5	15	23.5	22.5	S-0545-04	-	-	-	-	-	
46	5	15	24.0	23.0	S-0546-04	-	-	-	-	-	
47	5	15	24.5	23.5	S-0547-04	-	-	-	-	-	
48	5	15	25.0	24.0	S-0548-04	-	-	-	-	-	
49	5	15	25.5	24.5	S-0549-04	-	-	-	-	-	
50	5	15	26.0	25.0	S-0550-04	-	-	-	-	-	
52	5	15	27.0	26.0	S-0552-04	-	-	-	-	-	
54	5	15	28.0	27.0	S-0554-04	-	-	-	-	-	
55	5	15	28.5	27.5	S-0555-04	-	-	-	-	-	
56	5	15	29.0	28.0	S-0556-04	-	-	-	-	-	
60	5	20	31.0	30.0	S-0560-04	-	-	-	-	-	
64	5	20	33.0	32.0	S-0564-04	-	-	-	-	-	
65	5	20	33.5	32.5	S-0565-04	-	-	-	-	-	
70	5	20	36.0	35.0	S-0570-04	-	-	-	-	-	
72	5	20	37.0	36.0	S-0572-04	-	-	-	-	-	
75	5	20	38.5	37.5	S-0575-04	-	-	-	-	-	
80	5	20	41.0	40.0	S-0580-04	-	-	-	-	-	
85	6	25	43.5	42.5	S-0585-04	-	-	-	-	-	
90	6	25	46.0	45.0	S-0590-04	-	-	-	-	-	
96	6	25	49.0	48.0	S-0596-04	-	-	-	-	-	
100	6	25	51.0	50.0	S-05100-04	-	-	-	-	-	
120	6	25	61.0	60.0	S-05120-04	-	-	-	-	-	

CYLINDRISKA KUGGHJUL I STÅL

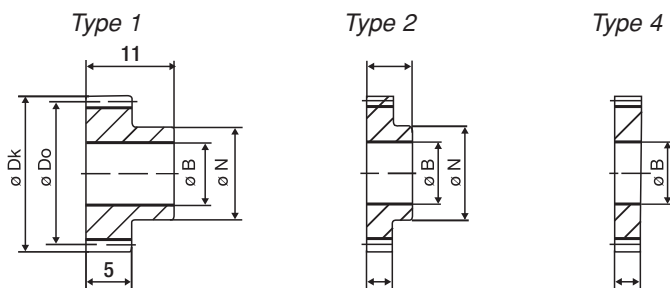
STEEL SPURGEARS

Modul 0.7 rakskurna kuggar
Module 0.7 straight toothed

Ingreppsvinkel 20°
 Pressure angle 20°

Material: SS 1672
 Material: SS 1672

Toleranser: B = H7
 Tolerance: B = H7



Antal tänder No of teeth		Best. Nr. Code			Md	Best. Nr. Code			Md	Best. Nr. Code			Md
Z	B	N	Dk	Do	Type 1	(Nm)	Type 2	(Nm)	Type 4	(Nm)			
12	3	6	9.8	8.4	S-0712-05	-	-	-	-	-			
13	3	7	10.5	9.1	S-0713-05	-	-	-	-	-			
14	3	8	11.2	9.8	S-0714-05	-	-	-	-	-			
15	3	8	11.9	10.5	S-0715-05	-	-	-	-	-			
16	4	9	12.6	11.2	S-0716-05	-	-	-	-	-			
17	4	10	13.3	11.9	S-0717-05	-	-	-	-	-			
18	4	10	14.0	12.6	S-0718-05	-	-	-	-	-			
19	4	10	14.7	13.3	S-0719-05	-	-	-	-	-			
20	4	10	15.4	14.0	S-0720-05	-	-	-	-	-			
21	4	12	16.1	14.7	S-0721-05	-	-	-	-	-			
22	4	12	16.8	15.4	S-0722-05	-	-	-	-	-			
23	4	12	17.5	16.1	S-0723-05	-	-	-	-	-			
24	4	12	18.2	16.8	S-0724-05	-	-	-	-	-			
25	4	15	18.9	17.5	S-0725-05	-	-	-	-	-			
26	5	15	19.6	18.2	S-0726-05	-	-	-	-	-			
27	5	15	20.3	18.9	S-0727-05	-	-	-	-	-			
28	5	15	21.0	19.6	S-0728-05	-	-	-	-	-			
30	5	15	22.4	21.0	S-0730-05	-	-	-	-	-			
32	5	15	23.8	22.4	S-0732-05	-	-	-	-	-			
35	5	15	25.9	24.5	S-0735-05	-	-	-	-	-			
36	5	15	26.6	25.2	S-0736-05	-	-	-	-	-			
38	5	18	28.0	26.6	S-0738-05	-	-	-	-	-			
40	5	18	29.4	28.0	S-0740-05	-	-	-	-	-			
42	6	18	30.8	29.4	S-0742-05	-	-	-	-	-			
45	6	18	32.9	31.5	S-0745-05	-	-	-	-	-			
48	6	18	35.0	33.6	S-0748-05	-	-	-	-	-			
50	6	18	36.4	35.0	S-0750-05	-	-	-	-	-			
52	6	18	37.8	36.4	S-0752-05	-	-	-	-	-			
54	6	18	39.2	37.8	S-0754-05	-	-	-	-	-			
55	6	18	39.9	38.5	S-0755-05	-	-	-	-	-			
56	6	18	40.6	39.2	S-0756-05	-	-	-	-	-			
60	6	18	43.4	42.0	S-0760-05	-	-	-	-	-			
64	6	18	46.2	44.8	S-0764-05	-	-	-	-	-			
65	6	18	46.9	45.5	S-0765-05	-	-	-	-	-			
70	6	18	50.4	49.0	S-0770-05	-	-	-	-	-			
72	6	20	51.8	50.4	S-0772-05	-	-	-	-	-			
75	6	20	53.9	52.5	S-0775-05	-	-	-	-	-			
80	6	20	57.4	56.0	S-0780-05	-	-	-	-	-			
85	6	20	60.9	59.5	S-0785-05	-	-	-	-	-			
90	6	20	64.4	63.0	S-0790-05	-	-	-	-	-			
96	8	25	68.6	67.2	S-0796-05	-	-	-	-	-			
100	8	25	71.4	70.0	S-07100-05	-	-	-	-	-			
120	8	25	85.4	84.0	S-07120-05	-	-	-	-	-			

CYLINDRISKA KUGGHJUL I STÅL

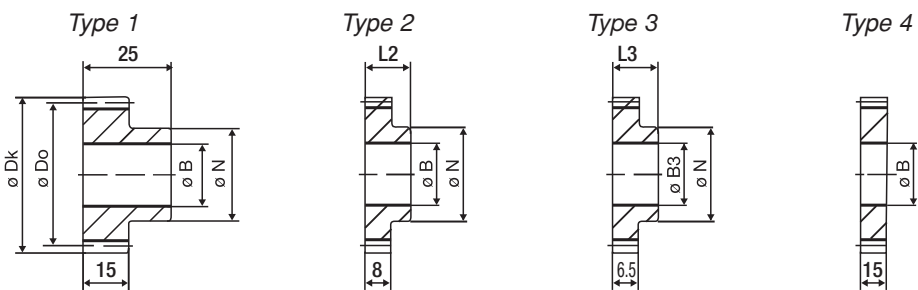
STEEL SPURGEARS

Modul 1.0 rakskurna kuggar
Module 1.0 straight toothed

Ingreppsvinkel 20°
Pressure angle 20°

Material: SS 1672
Material: SS 1672

Toleranser: B = H7
Tolerance: B = H7



Antal tänder No of teeth		Best. Nr. Code				Md 1)	Best. Nr. Code		Md 1)	Best. Nr. Code		Md 1)	Best. Nr. Code		
Z	B	B3	N	Dk	Do	Type 1	(Nm)	Type 2	L2	(Nm)	Type 3	L3	(Nm)	Type 4	(Nm)
10	4	4	7	12	10	-	-	-	-	-	S-1010-6.5	12.5	-	-	-
12	5	4	9	14	12	S-1012-15	-	S-1012-08	15	-	S-1012-6.5	12.5	-	-	-
13	5	10	15	13	13	S-1013-15	-	-	-	-	-	-	-	-	-
14	5	5	10	16	14	S-1014-15	-	S-1014-08	15	-	S-1014-6.5	12.5	-	-	-
15	6	5	12	17	15	S-1015-15	-	S-1015-08	15	-	S-1015-6.5	12.5	-	-	-
16	6	5	13	18	16	S-1016-15	-	S-1016-08	15	-	S-1016-6.5	12.5	-	-	-
17	6	5	14	19	17	S-1017-15	-	-	-	-	S-1017-6.5	12.5	-	-	-
18	8	5	15	20	18	S-1018-15	-	S-1018-08	15	-	S-1018-6.5	12.5	-	-	-
19	8	16	21	19	19	S-1019-15	-	-	-	-	-	-	-	-	-
20	8	5	17	22	20	S-1020-15	-	S-1020-08	15	-	S-1020-6.5	12.5	-	-	-
21	8	18	23	21	21	S-1021-15	-	S-1021-08	16	-	-	-	-	-	-
22	8	5	19	24	22	S-1022-15	-	-	-	-	S-1022-6.5	12.5	-	-	-
23	8	20	25	23	23	S-1023-15	-	-	-	-	-	-	-	-	-
24	8	5	20	26	24	S-1024-15	-	S-1024-08	16	-	S-1024-6.5	12.5	-	-	-
25	8	5	22	27	25	S-1025-15	-	S-1025-08	16	-	S-1025-6.5	12.5	-	-	-
26	8	22	28	26	26	S-1026-15	-	-	-	-	-	-	-	-	-
27	8	23	29	27	27	S-1027-15	-	-	-	-	-	-	-	-	-
28	8	5	25	30	28	S-1028-15	-	S-1028-08	16	-	S-1028-6.5	12.5	-	-	-
29	8	25	31	29	29	S-1029-15	-	-	-	-	-	-	-	-	-
30	8	5	25	32	30	S-1030-15	-	S-1030-08	16	-	S-1030-6.5	12.5	-	-	-
31	10	25	33	31	31	S-1031-15	-	-	-	-	-	-	-	-	-
32	10	5	25	34	32	S-1032-15	-	S-1032-08	16	-	S-1032-6.5	12.5	-	-	-
33	10	25	35	33	33	S-1033-15	-	-	-	-	-	-	-	-	-
34	10	28	36	34	34	S-1034-15	-	-	-	-	-	-	-	-	-
35	10	5	28	37	35	S-1035-15	-	-	-	-	S-1035-6.5	12.5	-	-	-
36	10	5	28	38	36	S-1036-15	-	S-1036-08	16	-	S-1036-6.5	12.5	-	-	-
37	10	28	39	37	37	S-1037-15	-	-	-	-	-	-	-	-	-
38	10	28	40	38	38	S-1038-15	-	-	-	-	-	-	-	-	-
39	10	28	41	39	39	S-1039-15	-	-	-	-	-	-	-	-	-
40	10	6	30	42	40	S-1040-15	-	S-1040-08	16	-	S-1040-6.5	12.5	-	-	-
41	10	30	43	41	41	S-1041-15	-	-	-	-	-	-	-	-	-
42	10	6	30	44	42	S-1042-15	-	S-1042-08	16	-	S-1042-6.5	12.5	-	-	-
43	10	30	45	43	43	S-1043-15	-	-	-	-	-	-	-	-	-
44	10	30	46	44	44	S-1044-15	-	-	-	-	-	-	-	-	-
45	10	6	30	47	45	S-1045-15	-	S-1045-08	16	-	S-1045-6.5	12.5	-	-	-
46	10	30	48	46	46	S-1046-15	-	-	-	-	-	-	-	-	-
47	10	35	49	47	47	S-1047-15	-	-	-	-	-	-	-	-	-
48	10	6	35	50	48	S-1048-15	-	S-1048-08	16	-	S-1048-6.5	14.5	-	-	-
49	10	35	51	49	49	S-1049-15	-	-	-	-	-	-	-	-	-
50	10	6	35	52	50	S-1050-15	-	S-1050-08	16	-	S-1050-6.5	14.5	-	-	-
51	10	35	53	51	51	S-1051-15	-	-	-	-	-	-	-	-	-
52	10	40	54	52	52	S-1052-15	-	S-1052-08	18	-	-	-	-	-	-
53	10	40	55	53	53	S-1053-15	-	-	-	-	-	-	-	-	-
54	10	6	40	56	54	S-1054-15	-	S-1054-08	18	-	S-1054-6.5	14.5	-	-	-
55	10	40	57	55	55	S-1055-15	-	S-1055-08	18	-	-	-	-	-	-
56	10	40	58	56	56	S-1056-15	-	S-1056-08	18	-	-	-	-	-	-
57	10	40	59	57	57	S-1057-15	-	-	-	-	-	-	-	-	-
58	10	45	60	58	58	S-1058-15	-	-	-	-	-	-	-	-	-
59	10	45	61	59	59	S-1059-15	-	-	-	-	-	-	-	-	-
60	10	6	50	62	60	S-1060-15	-	S-1060-08	18	-	S-1060-6.5	14.5	-	-	-
61	10	50	63	61	61	S-1061-15	-	-	-	-	-	-	-	-	-
62	10	50	64	62	62	S-1062-15	-	-	-	-	-	-	-	-	-
63	10	50	65	63	63	S-1063-15	-	-	-	-	-	-	-	-	-
64	10	6	50	66	64	S-1064-15	-	-	-	-	S-1064-6.5	14.5	-	-	-
65	10	8	50	67	65	S-1065-15	-	-	-	-	S-1065-6.5	14.5	-	-	-
66	10	50	68	66	66	S-1066-15	-	-	-	-	-	-	-	-	-
67	10	50	69	67	67	S-1067-15	-	-	-	-	-	-	-	-	-
68	10	50	70	68	68	S-1068-15	-	-	-	-	-	-	-	-	-
69	10	50	71	69	69	S-1069-15	-	-	-	-	-	-	-	-	-
70	10	8	50	72	70	S-1070-15	-	S-1070-08	18	8.4	S-1070-6.5	14.5	-	-	-
72	10	8	50	74	72	S-1072-15	16.0	S-1072-08	18	8.5	S-1072-6.5	16.5	-	-	-
75	10	8	50	77	75	S-1075-15	-	-	-	-	S-1075-6.5	16.5	7.4	-	-
76	10	50	78	76	76	S-1076-15	-	-	-	-	-	-	-	-	-
78	10	50	80	78	78	S-1078-15	-	-	-	-	-	-	-	-	-
80	10	10	50	82	80	S-1080-15	20.3	S-1080-08	18	10.8	S-1080-6.5	16.5	8.8	-	-
85	10	60	87	85	85	S-1085-15	-	-	-	-	-	-	-	-	-
90	10	10	60	92	90	-	-	-	-	-	S-1090-6.5	16.5	10.9	-	-
95	10	60	97	95	95	S-1095-15	30.5	-	-	-	-	-	-	SP-1095-15	30.5
100	10	10	60	102	100	S-10100-15	30.5	-	-	-	S-10100-6.5	18.5	13.2	-	-
114	10	60	116	114	114	S-10114-15	30.5	-	-	-	-	-	-	SP-10114-15	30.5
120	10	10	60	122	120	-	-	-	-	-	S-10120-6.5	18.5	14.7	-	-

1) Med säkerhetsfaktor 1.4 för kuggfotsutmattning.

1) With safetyfaktor 1.4 för tooth root stress.

CYLINDRISKA KUGGHJUL I STÅL

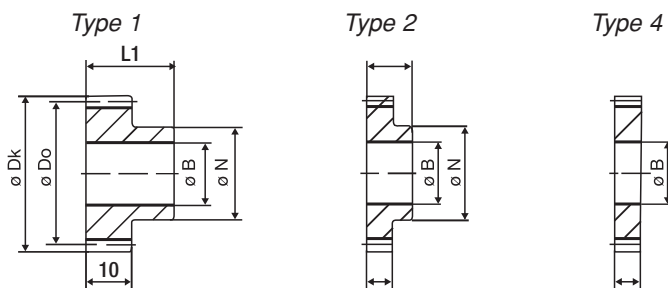
STEEL SPURGEARS

Modul 1.25 raxskurna kuggar
Module 1.25 straight toothed

Ingreppsvinkel 20°
 Pressure angle 20°

Material: SS 1672
 Material: SS 1672

Toleranser: B = H7
 Tolerance: B = H7



Antal tänder No of teeth		Best. Nr. Code			Md 1)	Best. Nr. Code		Md 1)	Best. Nr. Code		Md
Z	B	N	Dk	Do	Type 1	L1 (Nm)	Type 2	(Nm)	Type 4	(Nm)	
12	5	12	17.50	15.00	S-1212-10	20	-	-	-	-	
13	5	12	18.75	16.25	S-1213-10	20	-	-	-	-	
14	5	12	20.00	17.50	S-1214-10	20	-	-	-	-	
15	6	15	21.25	18.75	S-1215-10	20	-	-	-	-	
16	6	15	22.50	20.00	S-1216-10	20	-	-	-	-	
17	6	15	23.75	21.25	S-1217-10	20	-	-	-	-	
18	6	15	25.00	22.50	S-1218-10	20	-	-	-	-	
19	6	15	26.25	23.75	S-1219-10	20	-	-	-	-	
20	6	15	27.50	25.00	S-1220-10	20	-	-	-	-	
21	8	20	28.75	26.25	S-1221-10	20	-	-	-	-	
22	8	20	30.00	27.50	S-1222-10	20	-	-	-	-	
23	8	20	31.25	28.75	S-1223-10	20	-	-	-	-	
24	8	20	32.50	30.00	S-1224-10	20	-	-	-	-	
25	8	20	33.75	31.25	S-1225-10	20	-	-	-	-	
26	8	20	35.00	32.50	S-1226-10	20	-	-	-	-	
27	8	20	36.25	33.75	S-1227-10	20	-	-	-	-	
28	8	20	37.50	35.00	S-1228-10	20	-	-	-	-	
30	10	25	40.00	37.50	S-1230-10	20	-	-	-	-	
32	10	25	42.50	40.00	S-1232-10	20	-	-	-	-	
35	10	25	46.25	43.75	S-1235-10	20	-	-	-	-	
36	10	25	47.50	45.00	S-1236-10	20	-	-	-	-	
38	10	25	50.00	47.50	S-1238-10	20	-	-	-	-	
40	10	30	52.50	50.00	S-1240-10	20	-	-	-	-	
42	10	30	55.00	52.50	S-1242-10	22	-	-	-	-	
48	10	30	62.50	60.00	S-1248-10	22	-	-	-	-	
50	10	30	65.00	62.50	S-1250-10	22	-	-	-	-	
52	10	40	67.50	65.00	S-1252-10	22	-	-	-	-	
54	10	40	70.00	67.50	S-1254-10	22	-	-	-	-	
55	10	40	71.25	68.75	S-1255-10	22	-	-	-	-	
56	10	40	72.50	70.00	S-1256-10	22	-	-	-	-	
60	10	40	77.50	75.00	S-1260-10	22	-	-	-	-	
64	10	40	82.50	80.00	S-1264-10	22	-	-	-	-	
65	10	40	83.75	81.25	S-1265-10	22	-	-	-	-	
70	12	40	90.00	87.50	S-1270-10	22	-	-	-	-	
72	12	40	92.50	90.00	S-1272-10	22	-	-	-	-	
80	12	50	102.5	100.00	S-1280-10	22	-	-	-	-	
85	12	50	108.75	106.25	S-1285-10	22	-	-	-	-	
90	12	50	115.00	112.50	S-1290-10	22	-	-	-	-	

1) Med säkerhetsfaktor 1.4 för kuggfotsutmattning.

1) With safetyfaktor 1.4 för tooth root stress.

CYLINDRISKA KUGGHJUL I STÅL

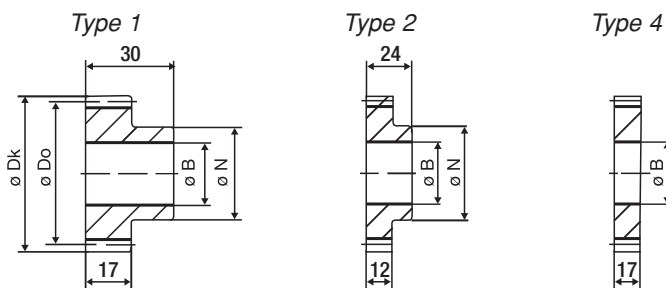
STEEL SPURGEARS

Modul 1.5 rakskurna kuggar
Module 1.5 straight toothed

Ingreppsvinkel 20°
 Pressure angle 20°

Material: SS 1672
 Material: SS 1672

Toleranser: B = H7
 Tolerance: B = H7



Antal tänder No of teeth		Best. Nr. Code			Md 1)	Best. Nr. Code			Md 1)	Best. Nr. Code			Md 1)
Z	B	N	Dk	Do	Type 1	(Nm)	Type 2	(Nm)	Type 4	(Nm)			
12	6	14	21.0	18.0	S-1512-17	-	S-1512-12	-	-	-			
13	6	15	22.5	19.5	S-1513-17	-	S-1513-12	-	-	-			
14	6	17	24.0	21.0	S-1514-17	-	S-1514-12	-	-	-			
15	8	18	25.5	22.5	S-1515-17	-	S-1515-12	-	-	-			
16	8	20	27.0	24.0	S-1516-17	-	S-1516-12	-	-	-			
17	8	20	28.5	25.5	S-1517-17	-	-	-	-	-			
18	8	22	30.0	27.0	S-1518-17	-	S-1518-12	-	-	-			
19	8	22	31.5	28.5	S-1519-17	-	-	-	-	-			
20	8	25	33.0	30.0	S-1520-17	-	S-1520-12	-	-	-			
21	8	25	34.5	31.5	S-1521-17	-	S-1521-12	-	-	-			
22	8	28	36.0	33.0	S-1522-17	-	-	-	-	-			
23	8	28	37.5	34.5	S-1523-17	-	-	-	-	-			
24	8	30	39.0	36.0	S-1524-17	-	S-1524-12	-	-	-			
25	10	30	40.5	37.5	S-1525-17	-	S-1525-12	-	-	-			
26	10	30	42.0	39.0	S-1526-17	-	S-1526-12	-	-	-			
27	10	35	43.5	40.5	S-1527-17	-	-	-	-	-			
28	10	35	45.0	42.0	S-1528-17	-	S-1528-12	-	-	-			
29	10	35	46.5	43.5	S-1529-17	-	-	-	-	-			
30	10	35	48.0	45.0	S-1530-17	-	S-1530-12	-	-	-			
31	10	40	49.5	46.5	S-1531-17	-	-	-	-	-			
32	10	40	51.0	48.0	S-1532-17	-	S-1532-12	-	-	-			
33	10	40	52.5	49.5	S-1533-17	-	-	-	-	-			
34	10	40	54.0	51.0	S-1534-17	-	-	-	-	-			
35	10	40	55.5	52.5	S-1535-17	-	-	-	-	-			
36	10	45	57.0	54.0	S-1536-17	-	S-1536-12	-	-	-			
37	10	45	58.5	55.5	S-1537-17	-	-	-	-	-			
38	10	45	60.0	57.0	S-1538-17	-	-	-	-	-			
39	12	45	61.5	58.5	S-1539-17	-	-	-	-	-			
40	12	45	63.0	60.0	S-1540-17	-	S-1540-12	-	-	-			
41	12	50	64.5	61.5	S-1541-17	15.5	-	-	-	-			
42	12	50	66.0	63.0	S-1542-17	16.2	S-1542-12	11.4	-	-			
43	12	50	67.5	64.5	S-1543-17	17.0	S-1543-12	-	-	-			
44	12	50	69.0	66.0	S-1544-17	17.8	-	-	-	-			
45	12	50	70.5	67.5	S-1545-17	18.6	S-1545-12	13.1	-	-			
46	12	55	72.0	69.0	S-1546-17	19.4	-	-	-	-			
47	12	55	73.5	70.5	S-1547-17	20.2	-	-	-	-			
48	12	55	75.0	72.0	S-1548-17	21.0	S-1548-12	14.8	-	-			
49	12	55	76.5	73.5	S-1549-17	21.8	-	-	-	-			
50	12	55	78.0	75.0	S-1550-17	22.7	S-1550-12	16.0	-	-			
51	12	60	79.5	76.5	S-1551-17	-	-	-	-	-			
52	12	60	81.0	78.0	S-1552-17	-	S-1552-12	-	-	-			
53	12	60	82.5	79.5	S-1553-17	-	-	-	-	-			
54	12	60	84.0	81.0	S-1554-17	26.3	S-1554-12	18.6	-	-			
55	12	60	85.5	82.5	S-1555-17	-	-	-	-	-			
56	12	60	87.0	84.0	S-1556-17	28.2	S-1556-12	19.9	-	-			
57	12	60	88.5	85.5	S-1557-17	29.2	-	-	-	-			
58	15	60	90.0	87.0	S-1558-17	-	-	-	-	-			
59	15	60	91.5	88.5	S-1559-17	-	-	-	-	-			
60	15	60	93.0	90.0	S-1560-17	32.1	S-1560-12	22.7	-	-			
61	15	70	94.5	91.5	S-1561-17	-	-	-	-	-			
62	15	70	96.0	93.0	S-1562-17	-	-	-	-	-			
63	15	70	97.5	94.5	S-1563-17	-	-	-	-	-			
64	15	70	99.0	96.0	S-1564-17	36.4	S-1564-12	25.7	-	-			
65	15	70	100.5	97.5	S-1565-17	-	-	-	-	-			
66	15	70	102.0	99.0	S-1566-17	-	-	-	-	-			
67	15	70	103.5	100.5	S-1567-17	-	-	-	-	-			
68	15	70	105.0	102.0	S-1568-17	-	-	-	-	-			
69	15	70	106.5	103.5	S-1569-17	-	-	-	-	-			
70	15	70	108.0	105.0	S-1570-17	42.9	-	-	-	-			
72	15	70	111.0	108.0	S-1572-17	45.3	S-1572-12	32.0	-	-			
75	20	70	115.5	112.5	S-1575-17	48.7	-	-	SP-1575-17	48.7			
76	20	70	117.0	114.0	S-1576-17	-	-	-	SP-1576-17	-			
78	20	80	120.0	117.0	S-1578-17	-	-	-	-	-			
80	20	80	123.0	120.0	S-1580-17	55.0	S-1580-12	38.8	SP-1580-17	55.0			
82	20	80	126.0	123.0	-	-	-	-	SP-1582-17	-			
84	20	80	123.0	120.0	-	-	S-1584-12	40.9	-	-			
85	20	-	130.5	127.5	-	-	-	-	SP-1585-17	-			
90	20	80	138.0	135.0	S-1590-17	-	-	-	SP-1590-17	-			
95	20	-	145.5	142.5	-	-	-	-	SP-1595-17	-			
96	20	90	147.0	144.0	-	-	S-1596-12	42.9	-	-			
100	20	100	153.0	150.0	S-15100-17	-	-	-	SP-15100-17	-			
112	20	100	171.0	168.0	S-15112-17	-	S-15112-12	-	-	-			
114	20	100	174.0	171.0	S-15114-17	-	-	-	SP-15114-17	-			
120	20	100	183.0	180.0	-	-	S-15120-12	68.4	SP-15120-17	91.2			
127	20	-	193.5	190.5	-	-	-	-	SP-15127-17	-			

1) Med säkerhetsfaktor 1.4 för kuggfotsutmattning.

1) With safetyfactor 1.4 for tooth root stress.

CYLINDRISKA KUGGHJUL I STÅL

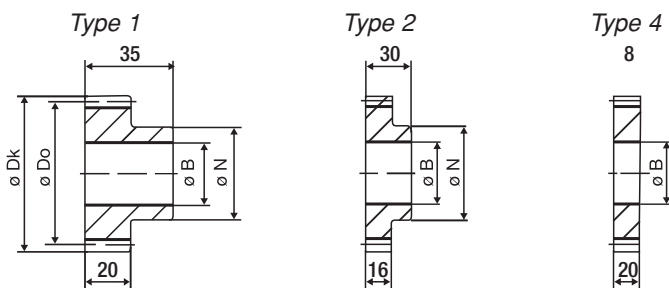
STEEL SPURGEARS

Modul 2.0 rakskurna kuggar
Module 2.0 straight toothed

Ingreppsvinkel 20°
 Pressure angle 20°

Material: SS 1672
 Material: SS 1672

Toleranser: B = H7
 Tolerance: B = H7



Antal tänder No of teeth					Best. Nr. Code	Md 1)	Best. Nr. Code	Md 1)	Best. Nr. Code	Md 1)
Z	B	N	Dk	Do	Type 1	(Nm)	Type 2	(Nm)	Type 4	(Nm)
12	10	18	28	24	S-2012-20	-	S-2012-16	-	-	-
13	10	19	30	26	S-2013-20	-	S-2013-16	-	-	-
14	12	20	32	28	S-2014-20	-	S-2014-16	-	-	-
15	12	24	34	30	S-2015-20	-	S-2015-16	-	-	-
16	12	25	36	32	S-2016-20	-	S-2016-16	-	-	-
17	12	25	38	34	S-2017-20	-	-	-	-	-
18	12	30	40	36	S-2018-20	-	S-2018-16	-	-	-
19	12	32	42	38	S-2019-20	-	-	-	-	-
20	15	33	44	40	S-2020-20	-	S-2020-16	-	-	-
21	15	34	46	42	S-2021-20	-	S-2021-16	-	-	-
22	15	35	48	44	S-2022-20	-	-	-	-	-
23	15	35	50	46	S-2023-20	-	-	-	-	-
24	15	40	52	48	S-2024-20	-	S-2024-16	-	-	-
25	15	43	54	50	S-2025-20	-	S-2025-16	-	-	-
26	15	45	56	52	S-2026-20	-	-	-	-	-
27	15	45	58	54	S-2027-20	-	-	-	-	-
28	15	45	60	56	S-2028-20	-	S-2028-16	-	-	-
29	15	50	62	58	S-2029-20	-	-	-	-	-
30	15	50	64	60	S-2030-20	-	S-2030-16	-	-	-
31	20	50	66	62	S-2031-20	-	-	-	-	-
32	20	50	68	64	S-2032-20	21.0	S-2032-16	16.8	-	-
33	20	50	70	66	S-2033-20	22.3	-	-	-	-
34	20	50	72	68	S-2034-20	23.7	-	-	-	-
35	20	50	74	70	S-2035-20	25.1	-	-	-	-
36	20	50	76	72	S-2036-20	26.5	S-2036-16	21.2	-	-
37	20	55	78	74	S-2037-20	27.9	-	-	-	-
38	20	55	80	76	S-2038-20	29.3	-	-	-	-
39	20	60	82	78	S-2039-20	30.7	-	-	-	-
40	20	60	84	80	S-2040-20	32.1	S-2040-16	-	-	-
41	20	65	86	82	S-2041-20	33.7	-	-	-	-
42	20	65	88	84	S-2042-20	35.3	S-2042-16	28.2	-	-
43	20	70	90	86	S-2043-20	36.9	-	-	-	-
44	20	70	92	88	S-2044-20	38.5	-	-	-	-
45	20	70	94	90	S-2045-20	40.2	S-2045-16	32.2	-	-
46	20	70	96	92	S-2046-20	41.9	-	-	-	-
47	20	70	98	94	S-2047-20	43.6	-	-	-	-
48	20	70	100	96	S-2048-20	45.4	S-2048-16	36.3	-	-
49	20	80	102	98	S-2049-20	47.3	-	-	-	-
50	20	80	104	100	S-2050-20	49.3	S-2050-16	39.4	-	-
51	20	80	106	102	S-2051-20	-	-	-	-	-
52	20	80	108	104	S-2052-20	-	S-2052-16	-	-	-
53	20	80	110	106	S-2053-20	-	-	-	-	-
54	20	80	112	108	S-2054-20	57.4	S-2054-16	45.9	-	-
55	25	90	114	110	S-2055-20	-	-	-	-	-
56	25	90	116	112	S-2056-20	61.5	S-2056-16	49.2	-	-
57	25	90	118	114	S-2057-20	-	-	-	-	-
58	25	90	120	116	S-2058-20	-	-	-	-	-
59	25	90	122	118	S-2059-20	-	-	-	-	-
60	25	90	124	120	S-2060-20	69.6	S-2060-16	55.7	-	-
61	25	90	126	122	S-2061-20	-	-	-	-	-
62	25	90	128	124	S-2062-20	-	-	-	-	-
63	25	90	130	126	S-2063-20	-	-	-	-	-
64	25	100	132	128	S-2064-20	76.0	S-2064-16	-	-	-
65	25	100	134	130	S-2065-20	-	-	-	-	-
66	25	100	136	132	S-2066-20	-	-	-	-	-
67	25	100	138	134	S-2067-20	-	-	-	-	-
68	25	100	140	136	S-2068-20	-	-	-	-	-
69	25	100	142	138	S-2069-20	-	-	-	-	-
70	25	100	144	140	S-2070-20	90.0	-	-	-	-
72	25	100	148	144	S-2072-20	94.0	S-2072-16	75.6	-	-
74	25	100	152	148	S-2074-20	-	-	-	-	-
75	30	100	154	150	S-2075-20	-	-	-	-	-
76	30	100	156	152	S-2076-20	-	-	-	-	-
78	30	100	160	156	S-2078-20	-	-	-	-	-
80	30	100	164	160	S-2080-20	114.0	-	-	-	-
84	30	100	172	168	-	-	S-2084-16	100.0	-	-
85	30	-	174	170	-	-	-	-	SP-2085-20	-
90	30	100	184	180	S-2090-20	-	-	-	SP-2090-20	-
95	30	100	194	190	S-2095-20	-	-	-	SP-2095-20	-
96	30	100	196	192	S-2096-20	-	S-2096-16	120.0	-	-
100	30	100	204	200	S-20100-20	-	-	-	SP-20100-20	-
108	30	100	220	216	-	-	S-20108-16	122.0	-	-
110	20	-	224	220	-	-	-	-	SP-20110-20	153
114	20	-	232	228	-	-	-	-	SP-20114-20	153
120	20	120	244	240	S-20120-20	-	S-20120-16	122.0	SP-20120-20	153
127	20	-	258	254	-	-	-	-	SP-20127-20	-

1) Med säkerhetsfaktor 1.4 för kuggfotsutmattning.

1) With safetyfaktor 1.4 för tooth root stress.

CYLINDRISKA KUGGHJUL I STÅL

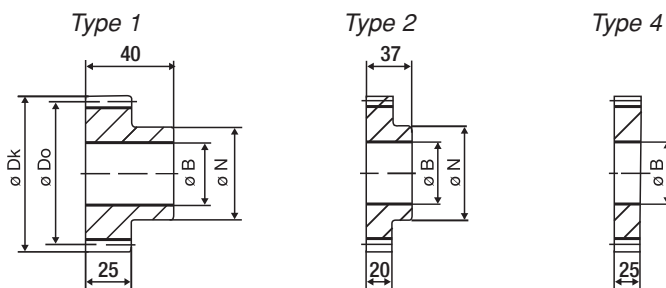
STEEL SPURGEARS

Modul 2.5 rakskurna kuggar
Module 2.5 straight toothed

Ingreppsvinkel 20°
 Pressure angle 20°

Material: SS 1672
 Material: SS 1672

Toleranser: B = H7
 Tolerance: B = H7



Antal tänder No of teeth		Best. Nr. Code			Md 1)	Best. Nr. Code		Md 1)	Best. Nr. Code		Md 1)
Z	B	N	Dk	Do	Type 1	(Nm)	Type 2	(Nm)	Type 4	(Nm)	
12	10	24	35.0	30.0	S-2512-25	-	S-2512-20	-	-	-	
13	10	24	37.5	32.5	S-2513-25	-	-	-	-	-	
14	15	28	40.0	35.0	S-2514-25	-	S-2514-20	-	-	-	
15	15	30	42.5	37.5	S-2515-25	-	S-2515-20	-	-	-	
16	15	30	45.0	40.0	S-2516-25	-	S-2516-20	-	-	-	
17	15	30	47.5	42.5	S-2517-25	-	-	-	-	-	
18	15	35	50.0	45.0	S-2518-25	-	S-2518-20	-	-	-	
19	15	35	52.5	47.5	S-2519-25	-	-	-	-	-	
20	15	40	55.0	50.0	S-2520-25	-	S-2520-20	-	-	-	
21	15	45	57.5	52.5	S-2521-25	-	S-2521-20	-	-	-	
22	15	45	60.0	55.0	S-2522-25	-	S-2522-20	-	-	-	
23	15	45	62.5	57.5	S-2523-25	-	-	-	-	-	
24	15	50	65.0	60.0	S-2524-25	21.6	S-2524-20	17.3	-	-	
25	15	55	67.5	62.5	S-2525-25	23.2	S-2525-20	-	-	-	
26	15	55	70.0	65.0	S-2526-25	25.5	-	-	-	-	
27	15	60	72.5	67.5	S-2527-25	27.1	-	-	-	-	
28	15	60	75.0	70.0	S-2528-25	29.1	S-2528-20	21.0	-	-	
29	15	60	77.5	72.5	S-2529-25	31.0	-	-	-	-	
30	15	65	80.0	75.0	S-2530-25	33.0	S-2530-20	26.6	-	-	
31	20	65	82.5	77.5	S-2531-25	35.4	-	-	-	-	
32	20	70	85.0	80.0	S-2532-25	37.7	S-2532-20	30.2	-	-	
33	20	70	87.5	82.5	S-2533-25	40.1	-	-	-	-	
34	20	70	90.0	85.0	S-2534-25	42.4	-	-	-	-	
35	20	70	92.5	87.5	S-2535-25	44.8	-	-	-	-	
36	20	70	95.0	90.0	S-2536-25	47.1	S-2536-20	37.7	-	-	
37	20	75	97.5	92.5	S-2537-25	49.5	-	-	-	-	
38	20	75	100.0	95.0	S-2538-25	51.8	-	-	-	-	
39	20	80	102.5	97.5	S-2539-25	54.2	-	-	-	-	
40	20	80	105.0	100.0	S-2540-25	56.5	S-2540-20	45.2	-	-	
41	20	80	107.5	102.5	S-2541-25	-	-	-	-	-	
42	20	80	110.0	105.0	S-2542-25	62.2	S-2542-20	49.8	-	-	
43	20	90	112.5	107.5	S-2543-25	-	-	-	-	-	
44	20	90	115.0	110.0	S-2544-25	-	-	-	-	-	
45	20	90	117.5	112.5	S-2545-25	70.8	S-2545-20	53.0	-	-	
46	20	90	120.0	115.0	S-2546-25	-	-	-	-	-	
47	20	90	122.5	117.5	S-2547-25	-	-	-	-	-	
48	20	90	125.0	120.0	S-2548-25	79.3	S-2548-20	-	-	-	
49	20	90	127.5	122.5	S-2549-25	-	-	-	-	-	
50	20	100	130.0	125.0	S-2550-25	85.0	S-2550-20	68.0	-	-	
51	20	100	132.5	127.5	S-2551-25	-	-	-	-	-	
52	25	100	135.0	130.0	S-2552-25	-	S-2552-20	-	-	-	
53	25	100	137.5	132.5	S-2553-25	-	-	-	-	-	
54	25	100	140.0	135.0	S-2554-25	97.4	S-2554-20	77.9	-	-	
55	25	100	142.5	137.5	S-2555-25	-	-	-	-	-	
56	25	100	145.0	140.0	S-2556-25	-	S-2556-20	-	-	-	
57	25	100	147.5	142.5	S-2557-25	-	-	-	-	-	
58	25	100	150.0	145.0	S-2558-25	-	-	-	-	-	
59	25	100	152.5	147.5	S-2559-25	-	-	-	-	-	
60	25	100	155.0	150.0	S-2560-25	116.0	S-2560-20	92.8	-	-	
61	25	100	157.5	152.5	S-2561-25	-	-	-	-	-	
62	25	100	160.0	155.0	S-2562-25	-	-	-	-	-	
63	25	100	162.5	157.5	S-2563-25	-	-	-	-	-	
64	25	100	165.0	160.0	S-2564-25	-	-	-	-	-	
65	25	100	167.5	162.5	S-2565-25	-	-	-	-	-	
66	25	100	170.0	165.0	S-2566-25	-	-	-	-	-	
67	25	100	172.5	167.5	S-2567-25	-	-	-	-	-	
68	25	100	175.0	170.0	S-2568-25	-	-	-	-	-	
69	25	100	177.5	172.5	S-2569-25	-	-	-	-	-	
70	25	100	180.0	175.0	S-2570-25	151.0	-	-	-	-	
72	25	100	185.0	180.0	S-2572-25	-	S-2572-20	126.0	-	-	
73	25	100	187.5	182.5	S-2573-25	-	-	-	-	-	
75	30	100	192.5	187.5	S-2575-25	-	-	-	SP-2575-25	-	
76	30	100	195.0	190.0	S-2576-25	-	-	-	-	-	
78	30	100	200.0	195.0	S-2578-25	-	-	-	-	-	
80	30	100	205.0	200.0	S-2580-25	179.0	-	-	-	-	
82	25	-	210.0	205.0	-	-	-	-	SP-2582-25	-	
85	20	-	217.5	212.5	-	-	-	-	SP-2585-25	-	
90	20	100	230.0	225.0	S-2590-25	-	-	-	SP-2590-25	-	
95	25	-	242.5	237.5	-	-	-	-	SP-2595-25	-	
100	25	-	255.0	250.0	-	-	-	-	SP-25100-25	-	
110	25	-	280.0	275.0	-	-	-	-	SP-25110-25	-	
114	25	-	290.0	285.0	-	-	-	-	SP-25114-25	-	
120	25	-	305.0	300.0	-	-	-	-	SP-25120-25	253.0	
127	25	-	322.5	317.5	-	-	-	-	SP-25127-25	-	

1) Med säkerhetsfaktor 1.4 för kuggfotsutmattning.

1) With safetyfaktor 1.4 för tooth root stress.

CYLINDRISKA KUGGHJUL I STÅL

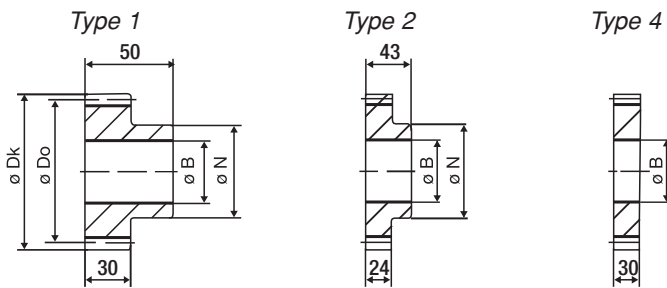
STEEL SPURGEARS

Modul 3.0 rakskurna kuggar
Module 3.0 straight toothed

Ingreppsvinkel 20°
 Pressure angle 20°

Material: SS 1672
 Material: SS 1672

Toleranser: B = H7
 Tolerance: B = H7



Antal tänder No of teeth					Best. Nr. Code		Md 1)	Best. Nr. Code		Md 1)	Best. Nr. Code		Md 1)
Z	B	N	Dk	Do	Type 1	(Nm)	Type 2	(Nm)	Type 4	(Nm)			
12	15	25	42	36	S-3012-30	8.1	S-3012-24	6.5	-	-			
13	15	30	45	39	S-3013-30	9.8	S-3013-24	-	-	-			
14	15	30	48	42	S-3014-30	11.5	S-3014-24	9.2	-	-			
15	15	35	51	45	S-3015-30	14.7	S-3015-24	11.8	-	-			
16	15	35	54	48	S-3016-30	17.0	S-3016-24	13.6	-	-			
17	15	42	57	51	S-3017-30	19.2	-	-	-	-			
18	15	45	60	54	S-3018-30	21.5	S-3018-24	17.2	-	-			
19	15	45	63	57	S-3019-30	24.1	-	-	-	-			
20	15	45	66	60	S-3020-30	26.7	S-3020-24	21.4	-	-			
21	15	50	69	63	S-3021-30	29.6	S-3021-24	23.7	-	-			
22	15	50	72	66	S-3022-30	32.5	-	-	-	-			
23	15	55	75	69	S-3023-30	35.5	-	-	-	-			
24	15	55	78	72	S-3024-30	38.4	S-3024-24	30.7	-	-			
25	15	60	81	75	S-3025-30	41.3	S-3025-24	-	-	-			
26	15	65	84	78	S-3026-30	44.8	-	-	-	-			
27	15	65	87	81	S-3027-30	48.2	-	-	-	-			
28	15	70	90	84	S-3028-30	51.7	S-3028-24	41.4	-	-			
29	15	70	93	87	S-3029-30	55.1	-	-	-	-			
30	20	75	96	90	S-3030-30	58.6	S-3030-24	46.9	-	-			
31	20	80	99	93	S-3031-30	62.5	-	-	-	-			
32	20	80	102	96	S-3032-30	66.5	S-3032-24	53.2	-	-			
33	20	80	105	99	S-3033-30	70.4	-	-	-	-			
34	20	85	108	102	S-3034-30	74.5	-	-	-	-			
35	20	85	111	105	S-3035-30	78.3	-	-	-	-			
36	20	90	114	108	S-3036-30	82.6	S-3036-24	66.1	-	-			
37	20	90	117	111	S-3037-30	87.0	-	-	-	-			
38	20	95	120	114	S-3038-30	91.8	-	-	-	-			
39	20	100	123	117	S-3039-30	95.7	-	-	-	-			
40	20	100	126	120	S-3040-30	100.0	S-3040-24	80.0	-	-			
41	20	100	129	123	S-3041-30	-	-	-	-	-			
42	20	100	132	126	S-3042-30	109.6	S-3042-24	87.7	-	-			
43	20	100	135	129	S-3043-30	-	-	-	-	-			
44	20	100	138	132	S-3044-30	-	-	-	-	-			
45	20	100	141	135	S-3045-30	124.0	S-3045-24	99.2	-	-			
46	20	100	144	138	S-3046-30	-	-	-	-	-			
47	20	100	147	141	S-3047-30	-	-	-	-	-			
48	20	100	150	144	S-3048-30	139.0	S-3048-24	111.0	-	-			
49	25	110	153	147	S-3049-30	-	-	-	-	-			
50	25	110	156	150	S-3050-30	149.0	S-3050-24	119.0	SP-3050-30	149.0			
51	25	110	159	153	S-3051-30	-	-	-	-	-			
52	25	110	162	156	S-3052-30	-	S-3052-24	-	SP-3052-30	-			
53	25	110	165	159	S-3053-30	-	-	-	-	-			
54	25	110	168	162	S-3054-30	171.0	S-3054-24	137.0	-	-			
55	25	120	171	165	S-3055-30	-	-	-	-	-			
56	25	120	174	168	S-3056-30	182.0	S-3056-24	146.0	-	-			
57	25	120	177	171	S-3057-30	-	-	-	SP-3057-30	-			
58	25	120	180	174	S-3058-30	-	-	-	-	-			
60	25	120	186	180	S-3060-30	204.0	S-3060-24	165.0	SP-3060-30	204.0			
64	25	120	198	192	S-3064-30	-	-	-	-	-			
65	25	120	201	195	S-3065-30	-	-	-	-	-			
67	25	120	207	201	S-3067-30	-	-	-	-	-			
70	25	120	216	210	S-3070-30	263.7	-	-	-	-			
72	25	120	222	216	S-3072-30	275.0	S-3072-24	220.0	-	-			
75	25	120	231	225	S-3075-30	-	-	-	SP-3075-30	204.0			
76	25	120	234	228	S-3076-30	-	-	-	-	-			
80	25	120	246	240	S-3080-30	321.0	-	-	SP-3080-30	321.0			
85	25	-	261	255	-	-	-	-	SP-3085-30	-			
90	25	-	276	270	-	-	-	-	SP-3090-30	-			
95	25	-	291	285	-	-	-	-	SP-3095-30	-			
100	30	-	306	300	-	-	-	-	SP-30100-30	-			
110	25	150	336	330	S-30110-30	-	-	-	SP-30110-30	-			
114	30	-	348	342	-	-	-	-	SP-30114-30	-			
120	25	-	366	360	-	-	-	-	SP-30120-30	-			
127	25	-	387	381	-	-	-	-	SP-30127-30	-			

1) Med säkerhetsfaktor 1.4 för kuggfotsutmattning.
 1) With safetyfaktor 1.4 for tooth root stress.

CYLINDRISKA KUGGHJUL I STÅL

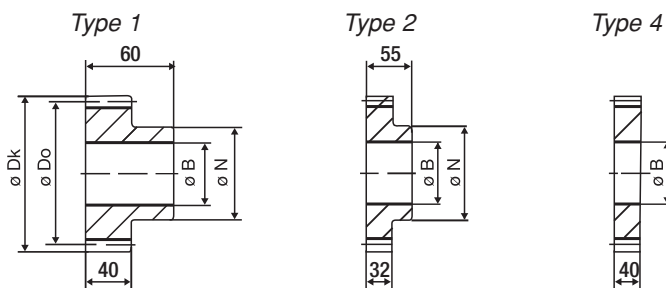
STEEL SPURGEARS

Modul 4.0 rakskurna kuggar
Module 4.0 straight toothed

Ingreppsvinkel 20°
 Pressure angle 20°

Material: SS 1672
 Material: SS 1672

Toleranser: B = H7
 Tolerance: B = H7



Antal tänder No of teeth		Best. Nr. Code			Md 1)	Best. Nr. Code		Md 1)	Best. Nr. Code		Md 1)
Z	B	N	Dk	Do	Type 1	(Nm)	Type 2	(Nm)	Type 4	(Nm)	(Nm)
12	20	35	56	48	S-4012-40	20.0	S-4012-32	16.0	-	-	-
13	20	35	60	52	S-4013-40	23.2	-	-	-	-	-
14	20	45	64	56	S-4014-40	26.5	S-4014-32	21.2	-	-	-
15	20	45	68	60	S-4015-40	32.7	S-4015-32	27.4	-	-	-
16	20	50	72	64	S-4016-40	37.7	S-4016-32	30.2	-	-	-
17	20	50	76	68	S-4017-40	42.6	-	-	-	-	-
18	20	55	80	72	S-4018-40	77.6	S-4018-32	38.1	-	-	-
19	20	60	84	76	S-4019-40	53.1	-	-	-	-	-
20	20	65	88	80	S-4020-40	58.6	S-4020-32	46.9	-	-	-
21	20	70	92	84	S-4021-40	65.3	S-4021-32	52.2	-	-	-
22	20	70	96	88	S-4022-40	72.0	S-4022-32	-	-	-	-
23	20	75	100	92	S-4023-40	78.6	S-4023-32	-	-	-	-
24	20	75	104	96	S-4024-40	85.3	S-4024-32	68.2	-	-	-
25	20	75	108	100	S-4025-40	92.0	S-4025-32	73.6	-	-	-
26	20	80	112	104	S-4026-40	99.8	-	-	-	-	-
27	20	80	116	108	S-4027-40	108.0	-	-	-	-	-
28	20	80	120	112	S-4028-40	115.0	S-4028-32	92.0	-	-	-
29	20	80	124	116	S-4029-40	123.0	-	-	-	-	-
30	20	80	128	120	S-4030-40	131.0	S-4030-32	105.0	-	-	-
31	20	90	132	124	S-4031-40	-	-	-	-	-	-
32	20	90	136	128	S-4032-40	148.0	-	118.0	-	-	-
34	30	90	144	136	S-4034-40	-	S-4032-32	-	-	-	-
35	30	90	148	140	S-4035-40	173.0	-	-	-	-	-
36	30	90	152	144	S-4036-40	181.0	S-4036-32	145.0	-	-	-
37	30	100	156	148	S-4037-40	-	-	-	-	-	-
38	30	100	160	152	S-4038-40	-	-	-	-	-	-
40	30	100	168	160	S-4040-40	215.0	S-4040-32	172.0	-	-	-
42	30	100	176	168	S-4042-40	234.0	S-4042-32	187.0	-	-	-
44	30	100	184	176	S-4044-40	-	-	-	-	-	-
45	30	100	188	180	S-4045-40	262.0	S-4045-32	210.0	-	-	-
46	30	110	192	184	S-4046-40	-	-	-	-	-	-
47	30	110	196	188	S-4047-40	-	-	-	-	-	-
48	30	110	200	192	S-4048-40	290.0	S-4048-32	232.0	SP-4048-40	290	-
50	30	120	208	200	S-4050-40	309.0	S-4050-32	247.0	-	-	-
52	30	120	216	208	S-4052-40	-	S-4052-32	-	SP-4052-40	-	-
54	30	120	224	216	S-4054-40	352.0	S-4054-32	282.0	-	-	-
55	30	120	228	220	S-4055-40	-	-	-	SP-4055-40	-	-
56	30	130	232	224	S-4056-40	373.0	S-4056-32	298.0	-	-	-
58	30	140	240	232	S-4058-40	-	-	-	-	-	-
60	30	140	248	240	S-4060-40	416.0	S-4060-32	332.0	-	-	-
64	40	140	264	256	S-4064-40	607.0	-	-	-	-	-
65	40	140	268	260	S-4065-40	-	-	-	SP-4065-40	-	-
67	40	140	276	268	S-4067-40	-	-	-	SP-4067-40	-	-
70	30	140	288	280	S-4070-40	690.0	-	-	SP-4070-40	690	-
72	40	140	296	288	S-4072-40	718.0	S-4072-32	574.0	SP-4072-40	718	-
76	30	140	312	304	S-4076-40	-	-	-	SP-4076-40	-	-
80	40	140	328	320	S-4080-40	916.0	-	-	SP-4080-40	916	-
85	30	-	348	340	-	-	-	-	SP-4085-40	-	-
90	30	-	368	360	-	-	-	-	SP-4090-40	-	-
96	30	-	392	384	-	-	-	-	SP-4096-40	-	-
100	30	-	408	400	-	-	-	-	SP-40100-40	-	-
114	30	-	464	456	-	-	-	-	SP-40114-40	-	-

1) Med säkerhetsfaktor 1.4 för kuggfotsutmattning.

1) With safetyfaktor 1.4 för tooth root stress.

CYLINDRISKA KUGGHJUL I STÅL

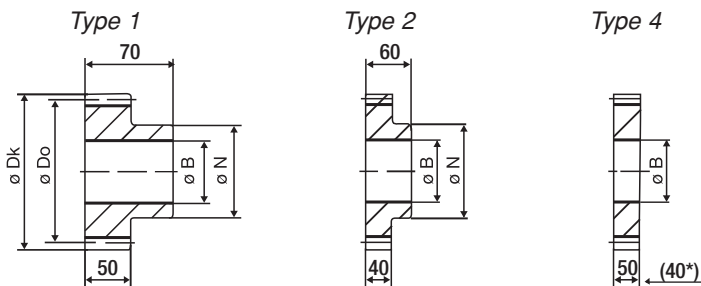
STEEL SPURGEARS

Modul 5.0 raxskurna kuggar
Module 5.0 straight toothed

Ingreppsvinkel 20°
 Pressure angle 20°

Material: SS 1672
 Material: SS 1672

Toleranser: B = H7
 Tolerance: B = H7



Antal tänder No of teeth		Best. Nr. Code			Md 1)	Best. Nr. Code		Md 1)	Best. Nr. Code		Md 1)
Z	B	N	Dk	Do	Type 1	(Nm)	Type 2	(Nm)	Type 4	(Nm)	
12	20	45	70	60	S-5012-50	40.0	S-5012-40	32.0	-	-	
13	20	45	75	65	S-5013-50	49.0	S-5013-40	-	-	-	
14	20	60	80	70	S-5014-50	55.0	S-5014-40	46.4	-	-	
15	20	60	85	75	S-5015-50	66.4	S-5015-40	53.1	-	-	
16	20	65	90	80	S-5016-50	77.6	S-5016-40	62.1	-	-	
17	20	70	95	85	S-5017-50	88.8	-	-	-	-	
18	20	70	100	90	S-5018-50	100.0	S-5018-40	80.0	-	-	
19	20	70	105	95	S-5019-50	113.0	-	-	-	-	
20	25	75	110	100	S-5020-50	126.0	S-5020-40	101.0	-	-	
21	25	75	115	105	S-5021-50	141.0	-	-	-	-	
22	25	80	120	110	S-5022-50	156.0	-	-	-	-	
23	25	80	125	115	S-5023-50	171.0	S-5023-40	-	-	-	
24	25	80	130	120	S-5024-50	186.0	S-5024-40	149.0	-	-	
25	25	80	135	125	S-5025-50	201.0	S-5025-40	161.0	-	-	
26	25	90	140	130	S-5026-50	218.0	-	-	-	-	
27	25	90	145	135	S-5027-50	236.0	-	-	-	-	
28	25	90	150	140	S-5028-50	253.0	S-5028-40	202.0	-	-	
29	25	90	155	145	S-5029-50	271.0	-	-	-	-	
30	25	90	160	150	S-5030-50	288.0	S-5030-40	230.0	-	-	
32	30	100	170	160	S-5032-50	329.0	S-5032-40	263.0	-	-	
34	30	100	180	170	S-5034-50	-	-	-	-	-	
35	30	100	185	175	S-5035-50	390.0	-	-	-	-	
36	30	105	190	180	S-5036-50	410.0	S-5036-40	328.0	SP-5036-50	410	
38	30	105	200	190	S-5038-50	451.0	-	-	-	-	
40	30	110	210	200	S-5040-50	492.0	S-5040-40	394.0	SP-5040-50	492	
45	30	110	235	225	S-5045-50	624.0	S-5045-40	499.0	-	-	
48	30	120	250	240	S-5048-50	703.0	S-5048-40	562.0	-	-	
50	30	120	260	250	S-5050-50	756.0	S-5050-40	605.0	-	-	
52	30	130	270	260	S-5052-50	-	S-5052-40	-	SP-5052-40*	-	
54	30	130	280	270	S-5054-50	925.0	S-5054-40	700.0	-	-	
55	30	140	285	275	S-5055-50	-	-	-	-	-	
56	30	140	290	280	S-5056-50	-	S-5056-40	-	SP-5056-40*	-	
58	30	140	300	290	-	-	S-5058-40	-	-	-	
60	30	140	310	300	S-5060-50	1180.0	S-5060-40	944.0	SP-5060-50	1180	
64	40	150	330	320	S-5064-50	-	-	-	-	-	
70	40	150	360	350	S-5070-50	-	-	-	-	-	
80	40	150	410	400	S-5080-50	2250.0	-	-	SP-5080-50	2250	
90	40	150	460	450	S-5090-50	-	-	-	-	-	

1) Med säkerhetsfaktor 1.4 för kuggfotsutmattning.

1) With safetyfaktor 1.4 för tooth root stress.

* Kommer att ändras till 50 mm.

* Will be changed to 50 mm.

CYLINDRISKA KUGGHJUL I STÅL

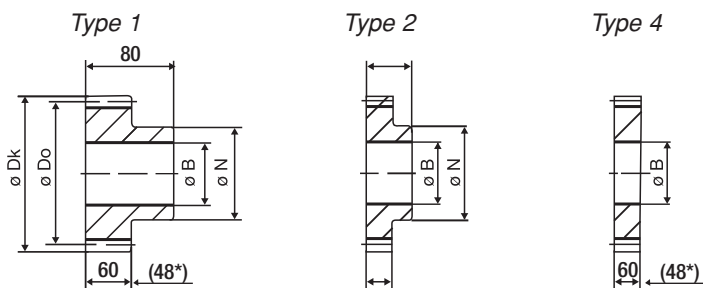
STEEL SPURGEARS

Modul 6.0 raxskurna kuggar
Module 6.0 straight toothed

Ingreppsvinkel 20°
 Pressure angle 20°

Material: SS 1672
 Material: SS 1672

Toleranser: B = H7
 Tolerance: B = H7



Antal tänder No of teeth		Best. Nr. Code			Md 1)	Best. Nr. Code		Md 1)	Best. Nr. Code		Md 1)
Z	B	N	Dk	Do	Type 1	(Nm)	Type 2	(Nm)	Type 4	(Nm)	
10	20	40	72	60	S-6010-60		-	-	-	-	
12	20	50	84	72	S-6012-60	73.0	-	-	-	-	
13	20	60	90	78	S-6013-60	-	-	-	-	-	
14	25	65	96	84	S-6014-60	-	-	-	-	-	
15	40	70	102	90	S-6015-60	119.0	-	-	-	-	
16	40	75	108	96	S-6016-60	137.0	-	-	-	-	
17	30	80	114	102	S-6017-60	-	-	-	-	-	
18	45	85	120	108	S-6018-60	173.0	-	-	-	-	
20	45	100	132	120	S-6020-60	212.0	-	-	-	-	
21	45	110	138	126	S-6021-60	-	-	-	-	-	
24	45	100	156	144	S-6024-60 *	309.0	-	-	-	-	
25	30	100	162	150	S-6025-60	333.0	-	-	-	-	
27	30	100	174	162	S-6027-60	-	-	-	-	-	
28	30	100	180	168	S-6028-60	-	-	-	-	-	
30	50	100	192	180	S-6030-60	456.0	-	-	-	-	
32	50	100	204	192	S-6032-60	-	-	-	-	-	
35	55	130	222	210	S-6035-60	-	-	-	-	-	
36	50	130	228	216	S-6036-60	650.0	-	-	-	-	
40	55	130	252	240	S-6040-60	781.0	-	-	-	-	
45	55	130	282	270	S-6045-60	1045.0	-	-	-	-	
48	40	-	300	288	-	-	-	-	SP-6048-60	1202.0	
50	40	200	312	300	S-6050-60	-	-	-	SP-6050-60	1308.0	
52	40	-	324	312	-	-	-	-	SP-6052-60	-	
55	50	-	342	330	-	-	-	-	SP-6055-60	-	
56	50	-	348	336	-	-	-	-	SP-6056-60 *	-	
60	50	250	372	360	S-6060-60	-	-	-	SP-6060-60	-	
64	50	250	396	384	S-6064-60	-	-	-	-	-	

1) Med säkerhetsfaktor 1.4 för kuggfotsutmattning.

1) With safetyfactor 1.4 för tooth root stress.

* Gammalt lager med kuggbredd 48mm finns.

* Old stock with 48 mm tooth wide available.

CYLINDRISKA KUGGHJUL I STÅL

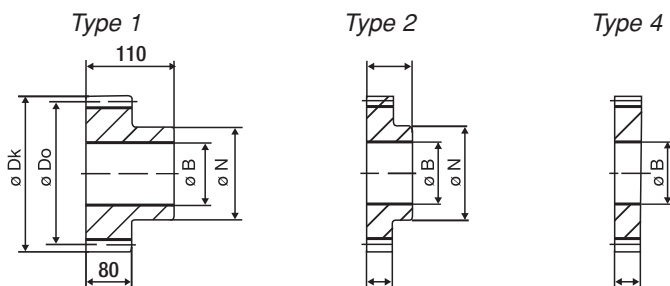
STEEL SPURGEARS

Modul 8.0 rakskurna kuggar
Module 8.0 straight toothed

Ingreppsvinkel 20°
 Pressure angle 20°

Material: SS 1672
 Material: SS 1672

Toleranser: B = H7
 Tolerance: B = H7



Antal tänder No of teeth		Best. Nr. Code			Md 1)	Best. Nr. Code		Md	Best. Nr. Code		Md
Z	B	N	Dk	Do	Type 1	(Nm)	Type 2	(Nm)	Type 4	(Nm)	
15	30	100	136	120	S-8015-80	268.0	-	-	-	-	
16	30	105	144	128	S-8016-80	-	-	-	-	-	
18	40	110	160	144	S-8018-80	398.0	-	-	-	-	
20	40	120	176	160	S-8020-80	494.0	-	-	-	-	
24	40	120	208	192	S-8024-80	716.0	-	-	-	-	
25	40	130	216	200	S-8025-80	-	-	-	-	-	
30	40	130	256	240	S-8030-80	1046.0	-	-	-	-	
32	40	140	272	256	S-8032-80	-	-	-	-	-	
36	50	140	304	288	S-8036-80	1573.0	-	-	-	-	
40	50	160	336	320	S-8040-80	1925.0	-	-	-	-	

1) Med säkerhetsfaktor 1.4 för kuggfotsutmattning.

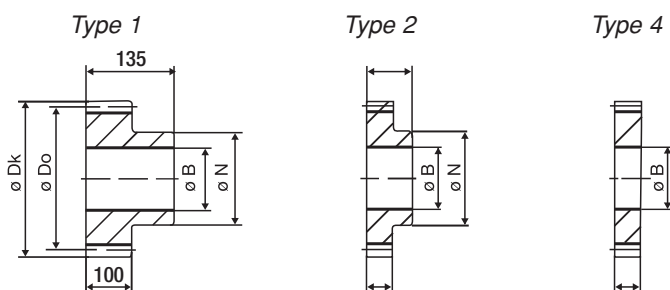
1) With safetyfaktor 1.4 för tooth root stress.

Modul 10.0 rakskurna kuggar
Module 10.0 straight toothed

Ingreppsvinkel 20°
 Pressure angle 20°

Material: SS 1672
 Material: SS 1672

Toleranser: B = H7
 Tolerance: B = H7



Antal tänder No of teeth		Best. Nr. Code			Md 1)	Best. Nr. Code		Md	Best. Nr. Code		Md
Z	B	N	Dk	Do	Type 1	(Nm)	Type 2	(Nm)	Type 4	(Nm)	
10	30	70	120	100	S-10010-100	-	-	-	-	-	
12	30	90	140	120	S-10012-100	-	-	-	-	-	
15	40	120	170	150	S-10015-100	-	-	-	-	-	
16	50	130	180	160	S-10016-100	-	-	-	-	-	
18	50	140	200	180	S-10018-100	-	-	-	-	-	
20	50	140	220	200	S-10020-100	-	-	-	-	-	
24	50	150	260	240	S-10024-100	-	-	-	-	-	
30	60	170	320	300	S-10030-100	-	-	-	-	-	
32	60	170	340	320	S-10032-100	-	-	-	-	-	
36	60	170	380	360	S-10036-100	-	-	-	-	-	
40	60	170	420	400	S-10040-100	-	-	-	-	-	

1) Med säkerhetsfaktor 1.4 för kuggfotsutmattning.

1) With safetyfaktor 1.4 för tooth root stress.

CYLINDRISKA KUGGHJUL I PLAST

PLASTIC SPURGEARS

Modul 0.5 raxskurna kuggar

Module 0.5 straight toothed

Ingreppsvinkel 20°

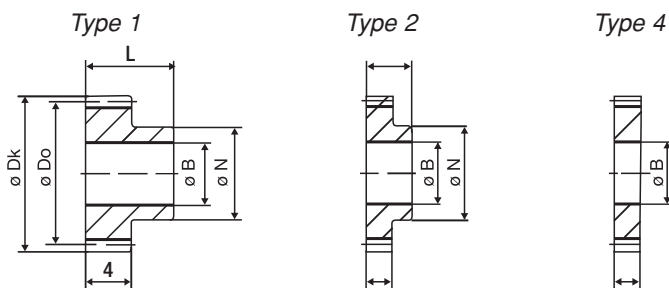
Pressure angle 20°

Material: Acetal Natur

Material: Acetal Natur

Toleranser: -

Tolerance: -



Antal tänder No of teeth						Best. Nr. Code	Md	Best. Nr. Code	Md	Best. Nr. Code	Md
Z	B	N	L	Dk	Do	Type 1	(Nm)	Type 2	(Nm)	Type 4	(Nm)
12	2	4	8	7.0	6.0	D-0512-04	-	-	-	-	-
13	2	5	8	7.5	6.5	D-0513-04	-	-	-	-	-
14	2	5	8	8.0	7.0	D-0514-04	-	-	-	-	-
15	3	6	8	8.5	7.5	D-0515-04	-	-	-	-	-
16	3	6	8	9.0	8.0	D-0516-04	-	-	-	-	-
17	3	6	8	9.5	8.5	D-0517-04	-	-	-	-	-
18	3	6	8	10.0	9.0	D-0518-04	-	-	-	-	-
19	3	8	8	10.5	9.5	D-0519-04	-	-	-	-	-
20	3	8	8	11.0	10.0	D-0520-04	-	-	-	-	-
21	3	8	8	11.5	10.5	D-0521-04	-	-	-	-	-
22	3	8	8	12.0	11.0	D-0522-04	-	-	-	-	-
23	3	8	8	12.5	11.5	D-0523-04	-	-	-	-	-
24	3	8	8	13.0	12.0	D-0524-04	-	-	-	-	-
25	3	10	8	13.5	12.5	D-0525-04	-	-	-	-	-
26	3	10	8	14.0	13.0	D-0526-04	-	-	-	-	-
27	3	10	8	14.5	13.5	D-0527-04	-	-	-	-	-
28	3	10	8	15.0	14.0	D-0528-04	-	-	-	-	-
30	3	10	8	16.0	15.0	D-0530-04	-	-	-	-	-
32	4	12	8	17.0	16.0	D-0532-04	-	-	-	-	-
35	4	12	8	18.5	17.5	D-0535-04	-	-	-	-	-
36	4	12	8	19.0	18.0	D-0536-04	-	-	-	-	-
38	4	12	8	20.0	19.0	D-0538-04	-	-	-	-	-
40	4	12	8	21.0	20.0	D-0540-04	-	-	-	-	-
42	4	12	8	22.0	21.0	D-0542-04	-	-	-	-	-
45	4	12	8	23.5	22.5	D-0545-04	-	-	-	-	-
48	4	12	8	25.0	24.0	D-0548-04	-	-	-	-	-
50	4	15	8	26.0	25.0	D-0550-04	-	-	-	-	-
52	4	15	8	27.0	26.0	D-0552-04	-	-	-	-	-
54	4	15	8	28.0	27.0	D-0554-04	-	-	-	-	-
55	4	15	8	28.5	27.5	D-0555-04	-	-	-	-	-
56	4	15	8	29.0	28.0	D-0556-04	-	-	-	-	-
60	4	20	9	31.0	30.0	D-0560-04	-	-	-	-	-
64	5	20	9	33.0	32.0	D-0564-04	-	-	-	-	-
65	5	20	9	33.5	32.5	D-0565-04	-	-	-	-	-
70	5	20	9	36.0	35.0	D-0570-04	-	-	-	-	-
72	5	20	9	37.0	36.0	D-0572-04	-	-	-	-	-
75	5	20	9	38.5	37.5	D-0575-04	-	-	-	-	-
80	5	20	9	41.0	40.0	D-0580-04	-	-	-	-	-
85	5	25	9	43.5	42.5	D-0585-04	-	-	-	-	-
90	5	25	9	46.0	45.0	D-0590-04	-	-	-	-	-
96	5	25	9	49.0	48.0	D-0596-04	-	-	-	-	-
100	5	25	9	51.0	50.0	D-05100-04	-	-	-	-	-
120	5	25	9	61.0	60.0	D-05120-04	-	-	-	-	-

CYLINDRISKA KUGGHJUL I PLAST

PLASTIC SPURGEARS

Modul 0.7 rakskurna kuggar

Module 0.7 straight toothed

Ingreppsvinkel 20°

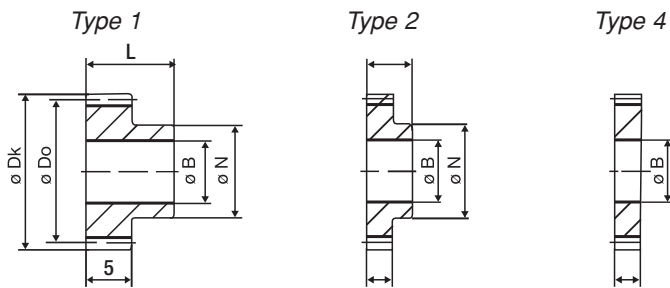
Pressure angle 20°

Material: Acetal Natur

Material: Acetal Natur

Toleranser: -

Tolerance: -



Antal tänder No of teeth						Best. Nr. Code	Md	Best. Nr. Code	Md	Best. Nr. Code	Md
Z	B	N	L	Dk	Do	Type 1	(Nm)	Type 2	(Nm)	Type 4	(Nm)
12	3	6	11	9.8	8.4	D-0712-05	-	-	-	-	-
13	3	7	11	10.5	9.1	D-0713-05	-	-	-	-	-
14	3	8	11	11.2	9.8	D-0714-05	-	-	-	-	-
15	3	8	11	11.9	10.5	D-0715-05	-	-	-	-	-
16	4	9	11	12.6	11.2	D-0716-05	-	-	-	-	-
17	4	10	11	13.3	11.9	D-0717-05	-	-	-	-	-
18	4	10	11	14.0	12.6	D-0718-05	-	-	-	-	-
19	4	10	11	14.7	13.3	D-0719-05	-	-	-	-	-
20	4	10	11	15.4	14.0	D-0720-05	-	-	-	-	-
21	4	12	11	16.1	14.7	D-0721-05	-	-	-	-	-
22	4	12	11	16.8	15.4	D-0722-05	-	-	-	-	-
23	4	12	11	17.5	16.1	D-0723-05	-	-	-	-	-
24	4	12	11	18.2	16.8	D-0724-05	-	-	-	-	-
25	4	15	11	18.9	17.5	D-0725-05	-	-	-	-	-
26	4	15	11	19.6	18.2	D-0726-05	-	-	-	-	-
27	4	15	11	20.3	18.9	D-0727-05	-	-	-	-	-
28	4	15	11	21.0	19.6	D-0728-05	-	-	-	-	-
30	4	15	11	22.4	21.0	D-0730-05	-	-	-	-	-
32	4	18	11	23.8	22.4	D-0732-05	-	-	-	-	-
35	4	18	11	25.9	24.5	D-0735-05	-	-	-	-	-
36	4	18	11	26.6	25.2	D-0736-05	-	-	-	-	-
38	4	18	11	28.0	26.6	D-0738-05	-	-	-	-	-
40	4	18	11	29.4	28.0	D-0740-05	-	-	-	-	-
42	5	20	11	30.8	29.4	D-0742-05	-	-	-	-	-
45	5	20	11	32.9	31.5	D-0745-05	-	-	-	-	-
48	5	20	11	35.0	33.6	D-0748-05	-	-	-	-	-
50	5	20	11	36.4	35.0	D-0750-05	-	-	-	-	-
52	5	20	11	37.8	36.4	D-0752-05	-	-	-	-	-
54	5	20	11	39.2	37.8	D-0754-05	-	-	-	-	-
55	5	20	11	39.9	38.5	D-0755-05	-	-	-	-	-
56	5	20	11	40.6	39.2	D-0756-05	-	-	-	-	-
60	5	20	13	43.4	42.0	D-0760-05	-	-	-	-	-
64	5	20	13	46.2	44.8	D-0765-05	-	-	-	-	-
65	5	20	13	46.9	45.5	D-0765-05	-	-	-	-	-
70	5	20	13	50.4	49.0	D-0770-05	-	-	-	-	-
72	6	20	13	51.8	50.4	D-0772-05	-	-	-	-	-
75	6	20	13	53.9	52.5	D-0775-05	-	-	-	-	-
80	6	20	13	57.4	56.0	D-0780-05	-	-	-	-	-
85	6	20	13	60.9	59.5	D-0785-05	-	-	-	-	-
90	6	20	13	64.4	63.0	D-0790-05	-	-	-	-	-
96	8	25	13	68.6	67.2	D-0796-05	-	-	-	-	-
100	8	25	13	71.4	70.0	D-07100-05	-	-	-	-	-
120	8	25	13	85.4	84.0	D-07120-05	-	-	-	-	-

CYLINDRISKA KUGGHJUL I PLAST

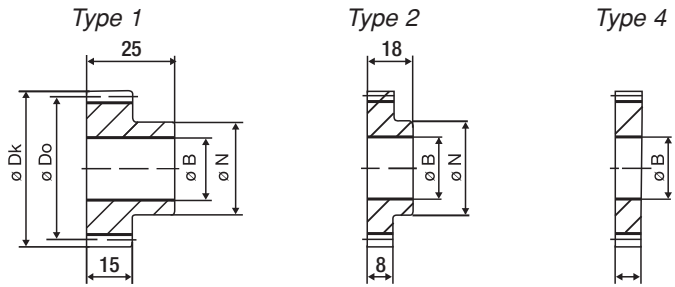
PLASTIC SPURGEARS

Modul 1.0 rakskurna kuggar
Module 1.0 straight toothed

Ingreppsvinkel 20°
 Pressure angle 20°

Material: Acetal Natur
 Material: Acetal Natur

Toleranser: -
 Tolerance: -



Antal tänder No of teeth			Best. Nr. Code		Md	Best. Nr. Code		Md	Best. Nr. Code		Md
Z	B	N	Dk	Do	Type 1	(Nm)	Type 2	(Nm)	Type 4	(Nm)	
12	6	9	14	12	D-1012-15	-	-	-	-	-	
13	6	9	15	13	D-1013-15	-	-	-	-	-	
14	6	12	16	14	D-1014-15	-	-	-	-	-	
15	6	12	17	15	D-1015-15	-	-	-	-	-	
16	6	12	18	16	D-1016-15	-	-	-	-	-	
17	6	15	19	17	D-1017-15	-	-	-	-	-	
18	6	15	20	18	D-1018-15	-	-	-	-	-	
19	6	15	21	19	D-1019-15	-	-	-	-	-	
20	6	16	22	20	D-1020-15	-	-	-	-	-	
21	6	16	23	21	D-1021-15	-	-	-	-	-	
22	6	18	24	22	D-1022-15	-	-	-	-	-	
23	6	18	25	23	D-1023-15	-	-	-	-	-	
24	9	20	26	24	D-1024-15	-	-	-	-	-	
25	9	20	27	25	D-1025-15	-	-	-	-	-	
26	9	20	28	26	D-1026-15	-	-	-	-	-	
30	9	20	32	30	D-1030-15	-	-	-	-	-	
35	9	25	37	35	D-1035-15	-	-	-	-	-	
38	9	25	40	38	D-1038-15	-	-	-	-	-	
40	9	25	42	40	D-1040-15	-	-	-	-	-	
45	9	30	47	45	D-1045-15	-	-	-	-	-	
48	9	30	50	48	D-1048-15	-	-	-	-	-	
50	9	30	52	50	D-1050-15	-	-	-	-	-	
57	9	40	59	57	D-1057-15	-	-	-	-	-	
60	9	40	62	60	D-1060-15	-	-	-	-	-	
64	10	40	66	64	-	-	D-1064-08	-	-	-	
65	10	40	67	65	-	-	D-1065-08	-	-	-	
70	10	40	72	70	-	-	D-1070-08	-	-	-	
72	10	40	74	72	-	-	D-1072-08	-	-	-	
75	10	40	77	75	-	-	D-1075-08	-	-	-	
80	10	40	82	80	-	-	D-1080-08	-	-	-	
85	10	40	87	85	-	-	D-1085-08	-	-	-	
90	10	40	92	90	-	-	D-1090-08	-	-	-	
96	10	40	98	96	-	-	D-1096-08	-	-	-	
100	10	40	102	100	-	-	D-10100-08	-	-	-	
120	10	40	122	120	-	-	D-10120-08	-	-	-	

CYLINDRISKA KUGGHJUL I PLAST

PLASTIC SPURGEARS

Modul 1.5 rakskurna kuggar

Module 1.5 straight toothed

Ingreppsvinkel 20°

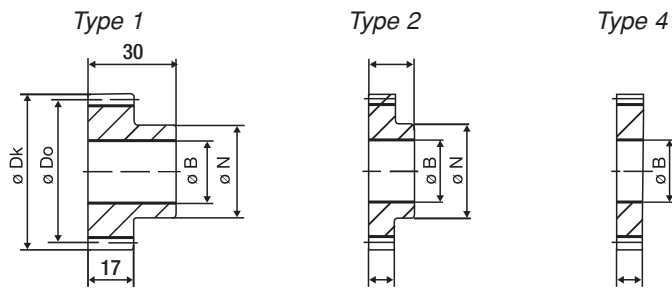
Pressure angle 20°

Material: Amid PA 6 Natur

Material: Amid PA 6 Natur

Toleranser: -

Tolerance: -



Antal tänder No of teeth			Best. Nr. Code		Md	Best. Nr. Code		Md	Best. Nr. Code		Md
Z	B	N	Dk	Do	Type 1	(Nm)	Type 2	(Nm)	Type 4	(Nm)	
12	6	14	21.0	18.0	N-1512-17	-	-	-	-	-	
13	6	15	22.5	19.5	N-1513-17	-	-	-	-	-	
14	6	17	24.0	21.0	N-1514-17	-	-	-	-	-	
15	8	18	25.5	22.5	N-1515-17	-	-	-	-	-	
16	8	20	27.0	24.0	N-1516-17	-	-	-	-	-	
17	8	20	28.5	25.5	N-1517-17	-	-	-	-	-	
18	8	22	30.0	27.0	N-1518-17	-	-	-	-	-	
19	8	22	31.5	28.5	N-1519-17	-	-	-	-	-	
20	8	25	33.0	30.0	N-1520-17	-	-	-	-	-	
21	8	25	34.5	31.5	N-1521-17	-	-	-	-	-	
22	8	28	36.0	33.0	N-1522-17	-	-	-	-	-	
23	8	28	37.5	34.5	N-1523-17	-	-	-	-	-	
24	8	30	39.0	36.0	N-1524-17	-	-	-	-	-	
25	10	30	40.5	37.5	N-1525-17	-	-	-	-	-	
26	10	30	42.0	39.0	N-1526-17	-	-	-	-	-	
27	10	35	43.5	40.5	N-1527-17	-	-	-	-	-	
28	10	35	45.0	42.0	N-1528-17	-	-	-	-	-	
29	10	35	46.5	43.5	N-1529-17	-	-	-	-	-	
30	10	35	48.0	45.0	N-1530-17	-	-	-	-	-	
32	10	40	51.0	48.0	N-1532-17	-	-	-	-	-	
34	10	40	54.0	51.0	N-1534-17	-	-	-	-	-	
35	10	40	55.5	52.5	N-1535-17	-	-	-	-	-	
36	10	45	57.0	54.0	N-1536-17	-	-	-	-	-	
38	10	45	60.0	57.0	N-1538-17	-	-	-	-	-	
40	10	45	63.0	60.0	N-1540-17	-	-	-	-	-	
42	12	50	66.0	63.0	N-1542-17	-	-	-	-	-	
45	12	50	70.5	67.5	N-1545-17	-	-	-	-	-	
46	12	55	72.0	69.0	N-1546-17	-	-	-	-	-	
48	12	55	75.0	72.0	N-1548-17	-	-	-	-	-	
50	12	55	78.0	75.0	N-1550-17	-	-	-	-	-	
54	15	60	84.0	81.0	N-1554-17	-	-	-	-	-	
56	15	60	87.0	84.0	N-1556-17	-	-	-	-	-	
57	15	60	88.5	85.5	N-1557-17	-	-	-	-	-	
60	15	60	93.0	90.0	N-1560-17	-	-	-	-	-	
64	15	70	99.0	96.0	N-1564-17	-	-	-	-	-	
70	15	70	108.0	105.0	N-1570-17	-	-	-	-	-	
72	15	70	111.0	108.0	N-1572-17	-	-	-	-	-	
80	15	80	123.0	120.0	N-1580-17	-	-	-	-	-	

CYLINDRISKA KUGGHJUL I PLAST

PLASTIC SPURGEARS

Modul 2.0 rakskurna kuggar

Module 2.0 straight toothed

Ingreppsvinkel 20°

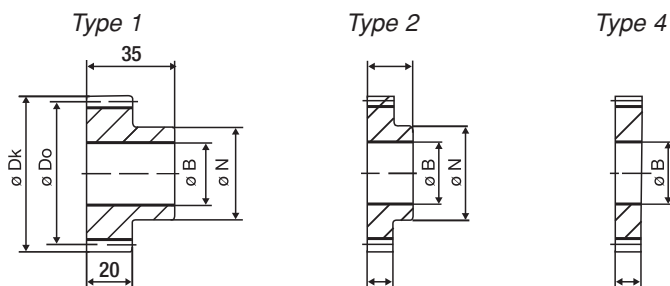
Pressure angle 20°

Material: Amid PA 6 Natur

Material: Amid PA 6 Natur

Toleranser: -

Tolerance: -



Antal tänder No of teeth			Best. Nr. Code		Md	Best. Nr. Code		Md	Best. Nr. Code		Md
Z	B	N	Dk	Do	Type 1	(Nm)	Type 2	(Nm)	Type 4	(Nm)	
12	9	18	28	24	N-2012-20	-	-	-	-	-	
13	9	19	30	26	N-2013-20	-	-	-	-	-	
14	9	19	32	28	N-2014-20	-	-	-	-	-	
15	9	24	34	30	N-2015-20	-	-	-	-	-	
16	9	25	36	32	N-2016-20	-	-	-	-	-	
17	9	25	38	34	N-2017-20	-	-	-	-	-	
18	9	25	40	36	N-2018-20	-	-	-	-	-	
19	9	25	42	38	N-2019-20	-	-	-	-	-	
20	9	30	44	40	N-2020-20	-	-	-	-	-	
21	9	30	46	42	N-2021-20	-	-	-	-	-	
22	9	30	48	44	N-2022-20	-	-	-	-	-	
23	9	30	50	46	N-2023-20	-	-	-	-	-	
24	12	35	52	48	N-2024-20	-	-	-	-	-	
25	12	35	54	50	N-2025-20	-	-	-	-	-	
26	12	45	56	52	N-2026-20	-	-	-	-	-	
27	12	45	58	54	N-2027-20	-	-	-	-	-	
28	12	45	60	56	N-2028-20	-	-	-	-	-	
29	12	50	62	58	N-2029-20	-	-	-	-	-	
30	12	40	64	60	N-2030-20	-	-	-	-	-	
32	12	50	68	64	N-2032-20	-	-	-	-	-	
34	12	50	72	68	N-2034-20	-	-	-	-	-	
35	12	50	74	70	N-2035-20	-	-	-	-	-	
36	12	50	76	72	N-2036-20	-	-	-	-	-	
38	12	55	80	76	N-2038-20	-	-	-	-	-	
40	12	60	84	80	N-2040-20	-	-	-	-	-	
41	12	65	86	82	N-2041-20	-	-	-	-	-	
42	12	65	88	84	N-2042-20	-	-	-	-	-	
43	12	70	90	86	N-2043-20	-	-	-	-	-	
44	12	70	92	88	N-2044-20	-	-	-	-	-	
45	12	70	94	90	N-2045-20	-	-	-	-	-	
46	15	70	96	92	N-2046-20	-	-	-	-	-	
47	15	70	98	94	N-2047-20	-	-	-	-	-	
48	15	70	100	96	N-2048-20	-	-	-	-	-	
49	15	80	102	98	N-2049-20	-	-	-	-	-	
50	15	80	104	100	N-2050-20	-	-	-	-	-	
52	15	80	108	104	N-2052-20	-	-	-	-	-	
54	15	80	112	108	N-2054-20	-	-	-	-	-	
55	15	80	114	110	N-2055-20	-	-	-	-	-	
56	15	90	116	112	N-2056-20	-	-	-	-	-	
57	15	90	118	114	N-2057-20	-	-	-	-	-	
58	15	90	120	116	N-2058-20	-	-	-	-	-	
60	15	90	124	120	N-2060-20	-	-	-	-	-	
64	15	90	132	128	N-2064-20	-	-	-	-	-	
69	15	90	142	138	N-2069-20	-	-	-	-	-	
70	15	100	144	140	N-2070-20	-	-	-	-	-	
72	15	100	148	144	N-2072-20	-	-	-	-	-	
80	15	100	164	160	N-2080-20	-	-	-	-	-	
90	15	120	184	180	N-2090-20	-	-	-	-	-	
94	15	120	192	188	N-2094-20	-	-	-	-	-	

CYLINDRISKA KUGGHJUL I PLAST

PLASTIC SPURGEARS

Modul 2.5 rakskurna kuggar

Module 2.5 straight toothed

Ingreppsvinkel 20°

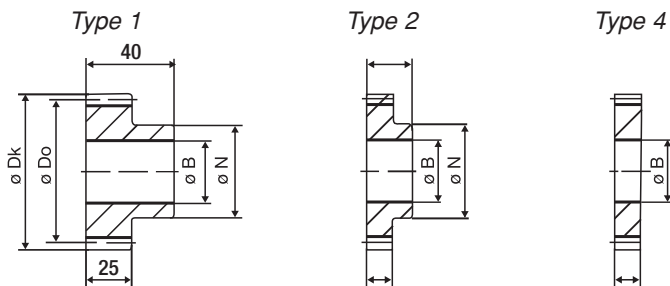
Pressure angle 20°

Material: Amid PA 6 Natur

Material: Amid PA 6 Natur

Toleranser: -

Tolerance: -



Antal tänder No of teeth			Best. Nr. Code		Md	Best. Nr. Code		Md	Best. Nr. Code		Md
Z	B	N	Dk	Do	Type 1	(Nm)	Type 2	(Nm)	Type 4	(Nm)	
12	10	24	35.0	30.0	N-2512-25	-	-	-	-	-	
13	10	24	37.5	32.5	N-2513-25	-	-	-	-	-	
14	10	28	40.0	35.0	N-2514-25	-	-	-	-	-	
15	10	30	42.5	37.5	N-2515-25	-	-	-	-	-	
16	10	30	45.0	40.0	N-2516-25	-	-	-	-	-	
17	10	30	47.5	42.5	N-2517-25	-	-	-	-	-	
18	10	35	50.0	45.0	N-2518-25	-	-	-	-	-	
19	10	35	52.5	47.5	N-2519-25	-	-	-	-	-	
20	12	40	55.0	50.0	N-2520-25	-	-	-	-	-	
21	12	45	57.5	52.5	N-2521-25	-	-	-	-	-	
22	12	45	60.0	55.0	N-2522-25	-	-	-	-	-	
23	12	45	62.5	57.5	N-2523-25	-	-	-	-	-	
24	12	50	65.0	60.0	N-2524-25	-	-	-	-	-	
25	12	55	67.5	62.5	N-2525-25	-	-	-	-	-	
26	12	55	70.0	65.0	N-2526-25	-	-	-	-	-	
27	12	60	72.5	67.5	N-2527-25	-	-	-	-	-	
28	12	60	75.0	70.0	N-2528-25	-	-	-	-	-	
29	12	60	77.5	72.5	N-2529-25	-	-	-	-	-	
30	12	65	80.0	75.0	N-2530-25	-	-	-	-	-	
32	15	70	85.0	80.0	N-2532-25	-	-	-	-	-	
34	15	70	90.0	85.0	N-2534-25	-	-	-	-	-	
35	15	70	92.5	87.5	N-2535-25	-	-	-	-	-	
36	15	70	95.0	90.0	N-2536-25	-	-	-	-	-	
38	15	75	100.0	95.0	N-2538-25	-	-	-	-	-	
40	15	80	105.0	100.0	N-2540-25	-	-	-	-	-	
42	15	80	110.0	105.0	N-2542-25	-	-	-	-	-	
45	15	90	117.5	112.5	N-2545-25	-	-	-	-	-	
46	15	90	120.0	115.0	N-2546-25	-	-	-	-	-	
48	15	90	125.0	120.0	N-2548-25	-	-	-	-	-	
50	20	100	130.0	125.0	N-2550-25	-	-	-	-	-	
54	20	100	140.0	135.0	N-2554-25	-	-	-	-	-	
56	20	100	145.0	140.0	N-2556-25	-	-	-	-	-	
60	20	100	155.0	150.0	N-2560-25	-	-	-	-	-	
72	20	100	185.0	180.0	N-2572-25	-	-	-	-	-	
80	20	100	205.0	200.0	N-2580-25	-	-	-	-	-	

CYLINDRISKA KUGGHJUL I PLAST

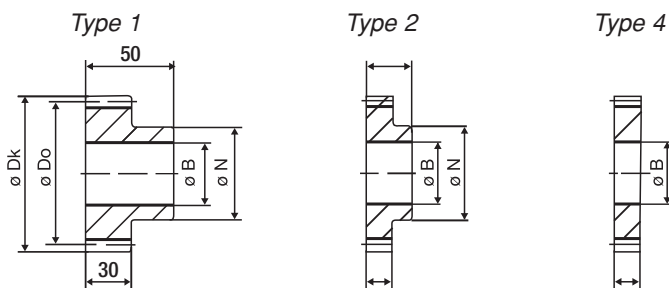
PLASTIC SPURGEARS

Modul 3.0 rakskurna kuggar
Module 3.0 straight toothed

Ingreppsvinkel 20°
 Pressure angle 20°

Material: Amid PA 6 Natur
 Material: Amid PA 6 Natur

Toleranser: -
 Tolerance: -



Antal tänder No of teeth			Best. Nr. Code		Md	Best. Nr. Code		Md	Best. Nr. Code		Md
Z	B	N	Dk	Do	Type 1	(Nm)	Type 2	(Nm)	Type 4	(Nm)	
12	12	25	42	36	N-3012-30	-	-	-	-	-	
13	12	30	45	39	N-3013-30	-	-	-	-	-	
14	12	30	48	42	N-3014-30	-	-	-	-	-	
15	12	35	51	45	N-3015-30	-	-	-	-	-	
16	12	35	54	48	N-3016-30	-	-	-	-	-	
17	12	45	57	51	N-3017-30	-	-	-	-	-	
18	12	45	60	54	N-3018-30	-	-	-	-	-	
19	12	45	63	57	N-3019-30	-	-	-	-	-	
20	12	45	66	60	N-3020-30	-	-	-	-	-	
21	12	50	69	63	N-3021-30	-	-	-	-	-	
22	12	50	72	66	N-3022-30	-	-	-	-	-	
23	12	55	75	69	N-3023-30	-	-	-	-	-	
24	12	55	78	72	N-3024-30	-	-	-	-	-	
25	14	60	81	75	N-3025-30	-	-	-	-	-	
26	14	65	84	78	N-3026-30	-	-	-	-	-	
27	14	65	87	81	N-3027-30	-	-	-	-	-	
28	14	70	90	84	N-3028-30	-	-	-	-	-	
29	14	70	93	87	N-3029-30	-	-	-	-	-	
30	14	75	96	90	N-3030-30	-	-	-	-	-	
32	14	80	102	96	N-3032-30	-	-	-	-	-	
34	14	80	108	102	N-3034-30	-	-	-	-	-	
35	14	85	111	105	N-3035-30	-	-	-	-	-	
36	14	90	114	108	N-3036-30	-	-	-	-	-	
38	14	95	120	114	N-3038-30	-	-	-	-	-	
40	14	100	126	120	N-3040-30	-	-	-	-	-	
42	20	100	132	126	N-3042-30	-	-	-	-	-	
45	20	100	141	135	N-3045-30	-	-	-	-	-	
48	20	100	150	144	N-3048-30	-	-	-	-	-	
50	20	110	156	150	N-3050-30	-	-	-	-	-	
52	20	110	162	156	N-3052-30	-	-	-	-	-	
54	20	110	168	162	N-3054-30	-	-	-	-	-	
56	20	120	174	168	N-3056-30	-	-	-	-	-	
60	20	120	186	180	N-3060-30	-	-	-	-	-	
64	20	120	198	192	N-3064-30	-	-	-	-	-	
72	20	120	222	216	N-3072-30	-	-	-	-	-	
80	20	120	246	240	N-3080-30	-	-	-	-	-	

CYLINDRISKA KUGGHJUL I PLAST

PLASTIC SPURGEARS

Modul 4.0 rakskurna kuggar

Module 4.0 straight toothed

Ingreppsvinkel 20°

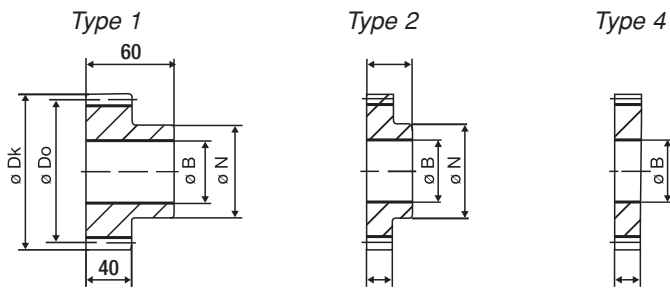
Pressure angle 20°

Material: Amid PA 6 Natur

Material: Amid PA 6 Natur

Toleranser: -

Tolerance: -



Antal tänder No of teeth			Best. Nr. Code		Md	Best. Nr. Code		Md	Best. Nr. Code		Md
Z	B	N	Dk	Do	Type 1	(Nm)	Type 2	(Nm)	Type 4	(Nm)	
12	16	35	56	48	N-4012-40	-	-	-	-	-	
13	16	35	60	52	N-4013-40	-	-	-	-	-	
14	16	45	64	56	N-4014-40	-	-	-	-	-	
15	16	45	68	60	N-4015-40	-	-	-	-	-	
16	16	50	72	64	N-4016-40	-	-	-	-	-	
17	16	50	76	68	N-4017-40	-	-	-	-	-	
18	16	55	80	72	N-4018-40	-	-	-	-	-	
19	16	60	84	76	N-4019-40	-	-	-	-	-	
20	16	65	88	80	N-4020-40	-	-	-	-	-	
21	16	70	92	84	N-4021-40	-	-	-	-	-	
22	16	70	96	88	N-4022-40	-	-	-	-	-	
23	16	75	100	92	N-4023-40	-	-	-	-	-	
24	16	75	104	96	N-4024-40	-	-	-	-	-	
25	16	75	108	100	N-4025-40	-	-	-	-	-	
26	16	80	112	104	N-4026-40	-	-	-	-	-	
27	16	80	116	108	N-4027-40	-	-	-	-	-	
28	16	80	120	112	N-4028-40	-	-	-	-	-	
30	16	80	128	120	N-4030-40	-	-	-	-	-	
32	20	90	136	128	N-4032-40	-	-	-	-	-	
35	20	90	148	140	N-4035-40	-	-	-	-	-	
36	20	90	152	144	N-4036-40	-	-	-	-	-	
38	20	90	160	152	N-4038-40	-	-	-	-	-	
40	20	100	168	160	N-4040-40	-	-	-	-	-	
42	25	100	176	168	N-4042-40	-	-	-	-	-	
45	25	110	188	180	N-4045-40	-	-	-	-	-	
48	25	110	200	192	N-4048-40	-	-	-	-	-	
50	25	120	208	200	N-4050-40	-	-	-	-	-	
60	25	140	248	240	N-4060-40	-	-	-	-	-	
64	25	140	264	256	N-4064-40	-	-	-	-	-	
72	25	140	296	288	N-4072-40	-	-	-	-	-	
80	25	140	328	320	N-4080-40	-	-	-	-	-	

CYLINDRISKA KUGGHJUL I PLAST

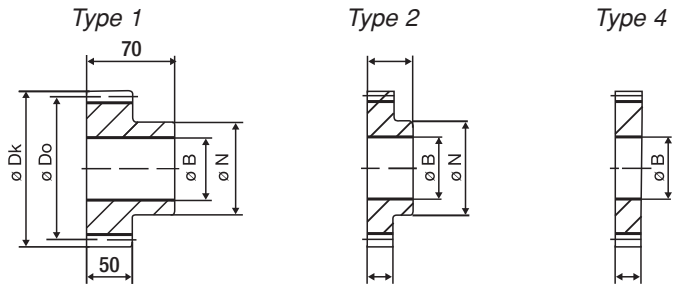
PLASTIC SPURGEARS

Modul 5.0 raxskurna kuggar
Module 5.0 straight toothed

Ingreppsvinkel 20°
 Pressure angle 20°

Material: Amid PA 6 Natur
 Material: Amid PA 6 Natur

Toleranser: -
 Tolerance: -



Antal tänder No of teeth			Best. Nr. Code		Md	Best. Nr. Code		Md	Best. Nr. Code		Md
Z	B	N	Dk	Do	Type 1	(Nm)	Type 2	(Nm)	Type 4	(Nm)	
12	15	45	70	60	N-5012-50	-	-	-	-	-	
13	15	45	75	65	N-5013-50	-	-	-	-	-	
14	15	60	80	70	N-5014-50	-	-	-	-	-	
15	15	60	85	75	N-5015-50	-	-	-	-	-	
16	15	65	90	80	N-5016-50	-	-	-	-	-	
17	15	70	95	85	N-5017-50	-	-	-	-	-	
18	15	70	100	90	N-5018-50	-	-	-	-	-	
19	15	70	105	95	N-5019-50	-	-	-	-	-	
20	20	75	110	100	N-5020-50	-	-	-	-	-	
21	20	75	115	105	N-5021-50	-	-	-	-	-	
22	20	80	120	110	N-5022-50	-	-	-	-	-	
23	20	80	125	115	N-5023-50	-	-	-	-	-	
24	20	80	130	120	N-5024-50	-	-	-	-	-	
25	25	80	135	125	N-5025-50	-	-	-	-	-	
26	25	90	140	130	N-5026-50	-	-	-	-	-	
27	25	90	145	135	N-5027-50	-	-	-	-	-	
28	25	90	150	140	N-5028-50	-	-	-	-	-	
30	25	90	160	150	N-5030-50	-	-	-	-	-	
32	25	100	170	160	N-5032-50	-	-	-	-	-	
33	25	100	170	165	N-5033-50	-	-	-	-	-	
35	25	100	185	175	N-5035-50	-	-	-	-	-	
36	25	105	190	180	N-5036-50	-	-	-	-	-	
38	25	105	200	190	N-5038-50	-	-	-	-	-	
40	30	110	210	200	N-5040-50	-	-	-	-	-	
60	30	150	310	300	N-5060-50	-	-	-	-	-	
90	30	200	460	450	N-5090-50	-	-	-	-	-	

CYLINDRISKA KUGGHJUL I VÄVBAKELIT

FABRIC MATERIAL SPURGEARS

Modul 1.0 rakskurna kuggar

Module 1.0 straight toothed

Ingreppsvinkel 20°

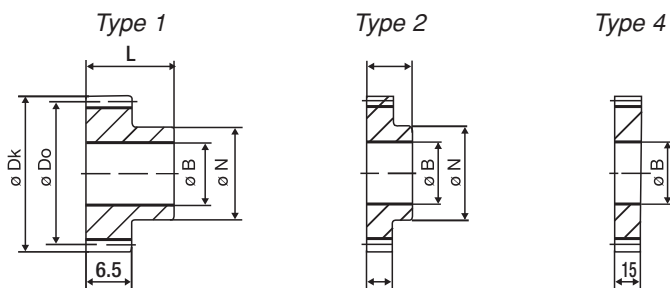
Pressure angle 20°

Material: Vävbakelit

Material: Cotton Phenolic HGW 2082

Toleranser: -

Tolerance: -



Antal tänder No of teeth		Best. Nr. Code		Md	Best. Nr. Code		Md	Best. Nr. Code		Md	
Z	B	N	L	Dk	Do	Type 1	(Nm)	Type 2	(Nm)	Type 4	(Nm)
10	5	8	12.5	12	10	VB-1010-6.5	-	-	-	-	-
12	5	10	12.5	14	12	VB-1012-6.5	-	-	-	-	-
15	5	12	12.5	17	15	VB-1015-6.5	-	-	-	-	-
25	5	15	12.5	27	25	VB-1025-6.5	-	-	-	-	-
30	5	18	12.5	32	30	VB-1030-6.5	-	-	-	-	-
36	5	20	12.5	38	36	VB-1036-6.5	-	-	-	-	-
40	6	22	12.5	42	40	VB-1040-6.5	-	-	-	-	-
45	6	25	12.5	47	45	VB-1045-6.5	-	-	-	-	-
48	6	25	14.5	50	48	VB-1048-6.5	-	-	-	-	-
50	6	25	14.5	52	50	VB-1050-6.5	-	-	-	-	-
54	6	25	14.5	56	54	VB-1054-6.5	-	-	-	-	-
60	6	30	14.5	62	60	VB-1060-6.5	-	-	-	-	-
70	6	30	14.5	72	70	VB-1070-6.5	-	-	-	-	-
72	6	30	16.5	74	72	VB-1072-6.5	-	-	-	-	-
75	8	30	16.5	77	75	VB-1075-6.5	-	-	-	-	-
80	10	40	16.5	82	80	VB-1080-6.5	-	-	-	-	-
90	10	40	18.5	92	90	VB-1090-6.5	-	-	-	-	-
96	10	-	-	98	96	-	-	-	-	VB-1096-15	-
100	10	40	18.5	102	100	VB-10100-6.5	-	-	-	-	-
120	10	-	-	122	120	-	-	-	-	VB-10120-15	-

Modul 1.5 rakskurna kuggar

Module 1.5 straight toothed

Ingreppsvinkel 20°

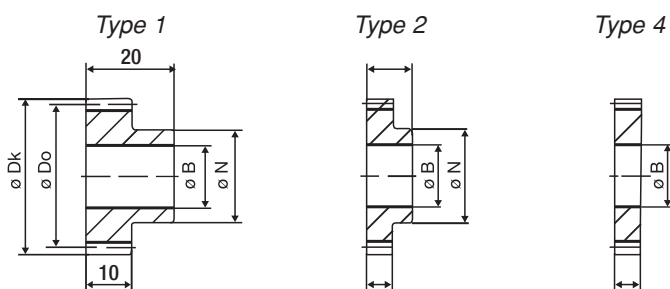
Pressure angle 20°

Material: Vävbakelit

Material: Cotton Phenolic HGW 2082

Toleranser: -

Tolerance: -



Antal tänder No of teeth		Best. Nr. Code		Md	Best. Nr. Code		Md	Best. Nr. Code		Md
Z	B	N	Dk	Do	Type 1	(Nm)	Type 2	(Nm)	Type 4	(Nm)
15	10	18	25.5	22.5	VB-1515-10	-	-	-	-	-
20	10	25	33.0	30.0	VB-1520-10	-	-	-	-	-
25	10	25	40.5	37.5	VB-1525-10	-	-	-	-	-
30	10	25	48.0	45.0	VB-1530-10	-	-	-	-	-

CYLINDRISKA KUGGHJUL I VÄVBAKELIT

FABRIC MATERIAL SPURGEARS

Modul 2.0 rakskurna kuggar

Module 2.0 straight toothed

Ingreppsvinkel 20°

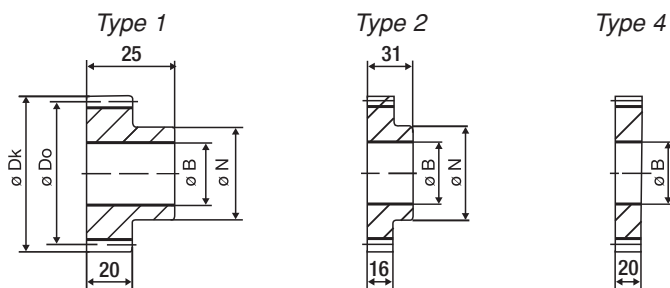
Pressure angle 20°

Material: Vävbakelit

Material: Cotton Phenolic HGW 2082

Toleranser: -

Tolerance: -



Antal tänder No of teeth					Best. Nr. Code	Md	Best. Nr. Code	Md	Best. Nr. Code	Md
Z	B	N	Dk	Do	Type 1	(Nm)	Type 2	(Nm)	Type 4	(Nm)
15	12	25	34	30	VB-2015-20	-	VB-2015-16	-	-	-
16	12	25	36	32	VB-2016-20	-	-	-	-	-
18	12	25	40	36	VB-2018-20	-	-	-	-	-
19	12	25	42	38	VB-2019-20	-	-	-	-	-
20	12	30	44	40	VB-2020-20	-	VB-2020-16	-	-	-
24	12	35	52	48	VB-2024-20	-	-	-	-	-
25	12	35 (30*)	54	50	VB-2025-20	-	VB-2025-16(*)	-	-	-
30	12	40	64	60	VB-2030-20	-	-	-	-	-
36	12	45	76	72	VB-2036-20	-	-	-	-	-
38	12	50	80	76	VB-2038-20	-	-	-	-	-
40	12	50	84	80	VB-2040-20	-	-	-	-	-
45	12	60	94	90	VB-2045-20	-	-	-	-	-
48	12	70	100	96	VB-2048-20	-	-	-	-	-
50	12	70	104	100	VB-2050-20	-	-	-	-	-
57	15	70	118	114	VB-2057-20	-	-	-	-	-
60	15	70	124	120	VB-2060-20	-	-	-	-	-
76	16	-	156	152	-	-	-	-	VBP-2075-20	-
80	16	-	164	160	-	-	-	-	VBP-2080-20	-
95	16	-	194	190	-	-	-	-	VBP-2095-20	-
100	16	-	204	200	-	-	-	-	VBP-20100-20	-
114	16	-	232	228	-	-	-	-	VBP-20114-20	-

CYLINDRISKA KUGGHJUL I MÄSSING

BRASS SPURGEARS

Modul 0.5 rakskurna kuggar

Module 0.5 straight toothed

Ingreppsvinkel 20°

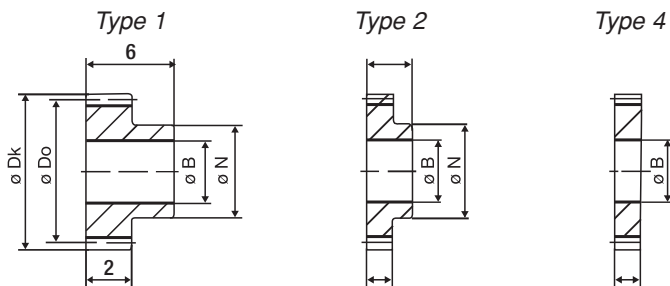
Pressure angle 20°

Material: Mässing MS 58

Material: Brass MS 58

Toleranser: B = H7

Tolerance: B = H7



Antal tänder No of teeth		Best. Nr. Code			Md	Best. Nr. Code		Md	Best. Nr. Code		Md
Z	B	N	Dk	Do	Type 1	(Nm)	Type 2	(Nm)	Type 4	(Nm)	
10	2	4	6.0	5.0	M-0510-02	-	-	-	-	-	
12	2	4	7.0	6.0	M-0512-02	-	-	-	-	-	
13	2	5	7.5	6.5	M-0513-02	-	-	-	-	-	
14	2	5	8.0	7.0	M-0514-02	-	-	-	-	-	
15	2	6	8.5	7.5	M-0515-02	-	-	-	-	-	
16	2	6	9.0	8.0	M-0516-02	-	-	-	-	-	
17	2	7	9.5	8.5	M-0517-02	-	-	-	-	-	
18	2	7	10.0	9.0	M-0518-02	-	-	-	-	-	
19	2	8	10.5	9.5	M-0519-02	-	-	-	-	-	
20	2	8	11.0	10.0	M-0520-02	-	-	-	-	-	
21	2	8	11.5	10.5	M-0521-02	-	-	-	-	-	
22	2	8	12.0	11.0	M-0522-02	-	-	-	-	-	
23	2	10	12.5	11.5	M-0523-02	-	-	-	-	-	
24	2	10	13.0	12.0	M-0524-02	-	-	-	-	-	
25	2	10	13.5	12.5	M-0525-02	-	-	-	-	-	
26	3	10	14.0	13.0	M-0526-02	-	-	-	-	-	
27	3	10	14.5	13.5	M-0527-02	-	-	-	-	-	
28	3	10	15.0	14.0	M-0528-02	-	-	-	-	-	
30	3	10	16.0	15.0	M-0530-02	-	-	-	-	-	
32	3	10	17.0	16.0	M-0532-02	-	-	-	-	-	
35	3	12	18.5	17.5	M-0535-02	-	-	-	-	-	
36	3	12	19.0	18.0	M-0536-02	-	-	-	-	-	
38	3	12	20.0	19.0	M-0538-02	-	-	-	-	-	
40	3	12	21.0	20.0	M-0540-02	-	-	-	-	-	
42	3	12	22.0	21.0	M-0542-02	-	-	-	-	-	
45	3	12	23.5	22.5	M-0545-02	-	-	-	-	-	
48	3	12	25.0	24.0	M-0548-02	-	-	-	-	-	
50	3	12	26.0	25.0	M-0550-02	-	-	-	-	-	
52	3	12	27.0	26.0	M-0552-02	-	-	-	-	-	
54	3	12	28.0	27.0	M-0554-02	-	-	-	-	-	
55	3	12	28.5	27.5	M-0555-02	-	-	-	-	-	
56	3	12	29.0	28.0	M-0556-02	-	-	-	-	-	
60	3	12	31.0	30.0	M-0560-02	-	-	-	-	-	
64	3	15	33.0	32.0	M-0564-02	-	-	-	-	-	
65	3	15	33.5	32.5	M-0565-02	-	-	-	-	-	
70	3	15	36.0	35.0	M-0570-02	-	-	-	-	-	
72	3	15	37.0	36.0	M-0772-02	-	-	-	-	-	
75	3	15	38.5	37.5	M-0775-02	-	-	-	-	-	
80	3	15	41.0	40.0	M-0780-02	-	-	-	-	-	
85	3	15	43.5	42.5	M-0785-02	-	-	-	-	-	
90	3	15	46.0	45.0	M-0790-02	-	-	-	-	-	
96	3	15	49.0	48.0	M-0796-02	-	-	-	-	-	
100	3	15	51.0	50.0	M-07100-02	-	-	-	-	-	
120	3	20	61.0	60.0	M-07120-02	-	-	-	-	-	

CYLINDRISKA KUGGHJUL I MÄSSING

BRASS SPURGEARS

Modul 0.7 raxskurna kuggar

Module 0.7 straight toothed

Ingreppsvinkel 20°

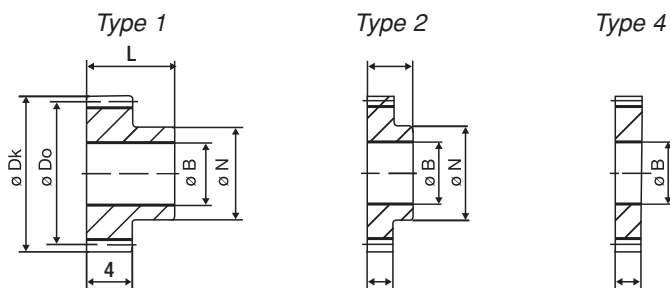
Pressure angle 20°

Material: Mässing MS 58

Material: Brass MS 58

Toleranser: B = H7

Tolerance: B = H7



Antal tänder No of teeth						Best. Nr. Code	Md	Best. Nr. Code	Md	Best. Nr. Code	Md
Z	B	N	L	Dk	Do	Type 1	(Nm)	Type 2	(Nm)	Type 4	(Nm)
10	3	5	10	8.4	7.0	M-0710-04	-	-	-	-	-
12	3	6	10	9.8	8.4	M-0712-04	-	-	-	-	-
13	3	7	10	10.5	9.1	M-0713-04	-	-	-	-	-
14	3	8	10	11.2	9.8	M-0714-04	-	-	-	-	-
15	3	8	10	11.9	10.5	M-0715-04	-	-	-	-	-
16	3	9	10	12.6	11.2	M-0716-04	-	-	-	-	-
17	3	10	10	13.3	11.9	M-0717-04	-	-	-	-	-
18	3	10	10	14.0	12.6	M-0718-04	-	-	-	-	-
19	3	10	10	14.7	13.3	M-0719-04	-	-	-	-	-
20	4	10	10	15.4	14.0	M-0720-04	-	-	-	-	-
21	4	12	10	16.1	14.7	M-0721-04	-	-	-	-	-
22	4	12	10	16.8	15.4	M-0722-04	-	-	-	-	-
23	4	12	10	17.5	16.1	M-0723-04	-	-	-	-	-
24	4	12	10	18.2	16.8	M-0724-04	-	-	-	-	-
25	4	12	10	18.9	17.5	M-0725-04	-	-	-	-	-
26	4	12	10	19.6	18.2	M-0726-04	-	-	-	-	-
27	4	12	10	20.3	18.9	M-0727-04	-	-	-	-	-
28	4	12	10	21.0	19.6	M-0728-04	-	-	-	-	-
30	4	12	10	22.4	21.0	M-0730-04	-	-	-	-	-
32	4	12	10	23.8	22.4	M-0732-04	-	-	-	-	-
35	4	12	10	25.9	24.5	M-0735-04	-	-	-	-	-
36	4	12	10	26.6	25.2	M-0736-04	-	-	-	-	-
38	4	12	10	28.0	26.6	M-0738-04	-	-	-	-	-
40	5	12	10	29.4	28.0	M-0740-04	-	-	-	-	-
42	5	12	10	30.8	29.4	M-0742-04	-	-	-	-	-
45	5	12	10	32.9	31.5	M-0745-04	-	-	-	-	-
48	5	15	10	35.0	33.6	M-0748-04	-	-	-	-	-
50	5	15	10	36.4	35.0	M-0750-04	-	-	-	-	-
52	5	15	10	37.8	36.4	M-0752-04	-	-	-	-	-
54	5	15	10	39.2	37.8	M-0754-04	-	-	-	-	-
55	5	15	10	39.5	38.5	M-0755-04	-	-	-	-	-
56	5	15	10	40.6	39.2	M-0756-04	-	-	-	-	-
60	5	15	12	43.4	42.0	M-0760-04	-	-	-	-	-
64	5	15	12	46.2	44.8	M-0764-04	-	-	-	-	-
65	5	15	12	46.9	45.5	M-0765-04	-	-	-	-	-
70	5	18	12	50.4	49.0	M-0770-04	-	-	-	-	-
72	5	18	12	51.8	50.4	M-0772-04	-	-	-	-	-
75	5	18	12	53.9	52.5	M-0775-04	-	-	-	-	-
80	5	18	12	57.4	56.0	M-0780-04	-	-	-	-	-
85	6	20	12	60.9	59.5	M-0785-04	-	-	-	-	-
90	6	20	12	64.4	63.0	M-0790-04	-	-	-	-	-
96	6	25	12	68.6	67.2	M-0796-04	-	-	-	-	-
100	6	25	12	71.4	70.0	M-07100-04	-	-	-	-	-
120	6	25	12	85.4	84.0	M-07120-04	-	-	-	-	-

CYLINDRISKA KUGGHJUL I MÄSSING

BRASS SPURGEARS

Modul 1.0 rakskurna kuggar

Module 1.0 straight toothed

Ingreppsvinkel 20°

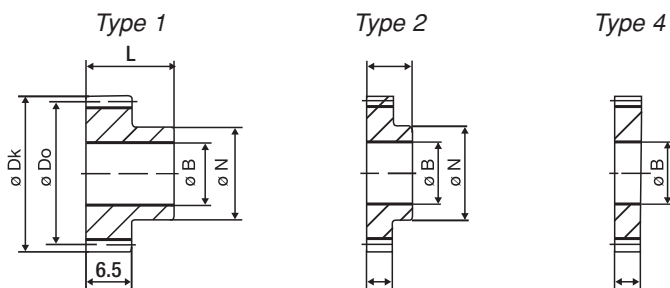
Pressure angle 20°

Material: Mässing MS 58

Material: Brass MS 58

Toleranser: B = H7

Tolerance: B = H7



Antal tänder No of teeth		Best. Nr. Code		Md		Best. Nr. Code		Md		Best. Nr. Code		Md	
Z	B	N	L	Dk	Do	Type 1	(Nm)	Type 2	(Nm)	Type 4	(Nm)	Type 4	(Nm)
10	4	7	12.5	12	10	M-1010-6.5	-	-	-	-	-	-	-
12	4	9	12.5	14	12	M-1012-6.5	-	-	-	-	-	-	-
13	5	10	12.5	15	13	M-1013-6.5	-	-	-	-	-	-	-
14	5	10	12.5	16	14	M-1014-6.5	-	-	-	-	-	-	-
15	5	12	12.5	17	15	M-1015-6.5	-	-	-	-	-	-	-
16	5	12	12.5	18	16	M-1016-6.5	-	-	-	-	-	-	-
17	5	12	12.5	19	17	M-1017-6.5	-	-	-	-	-	-	-
18	5	12	12.5	20	18	M-1018-6.5	-	-	-	-	-	-	-
19	5	15	12.5	21	19	M-1019-6.5	-	-	-	-	-	-	-
20	5	15	12.5	22	20	M-1020-6.5	-	-	-	-	-	-	-
21	5	15	12.5	23	21	M-1021-6.5	-	-	-	-	-	-	-
22	5	15	12.5	24	22	M-1022-6.5	-	-	-	-	-	-	-
23	5	15	12.5	25	23	M-1023-6.5	-	-	-	-	-	-	-
24	5	15	12.5	26	24	M-1024-6.5	-	-	-	-	-	-	-
25	5	15	12.5	27	25	M-1025-6.5	-	-	-	-	-	-	-
26	5	15	12.5	28	26	M-1026-6.5	-	-	-	-	-	-	-
27	5	15	12.5	29	27	M-1027-6.5	-	-	-	-	-	-	-
28	5	15	12.5	30	28	M-1028-6.5	-	-	-	-	-	-	-
30	5	15	12.5	32	30	M-1030-6.5	-	-	-	-	-	-	-
32	5	18	12.5	34	32	M-1032-6.5	-	-	-	-	-	-	-
35	5	18	12.5	37	35	M-1035-6.5	-	-	-	-	-	-	-
36	5	18	12.5	38	36	M-1036-6.5	-	-	-	-	-	-	-
38	5	20	12.5	40	38	M-1038-6.5	-	-	-	-	-	-	-
40	6	20	12.5	42	40	M-1040-6.5	-	-	-	-	-	-	-
42	6	20	12.5	44	42	M-1042-6.5	-	-	-	-	-	-	-
45	6	20	14.5	47	45	M-1045-6.5	-	-	-	-	-	-	-
48	6	22	14.5	50	48	M-1048-6.5	-	-	-	-	-	-	-
50	6	22	14.5	52	50	M-1050-6.5	-	-	-	-	-	-	-
52	6	22	14.5	54	52	M-1052-6.5	-	-	-	-	-	-	-
54	6	22	14.5	56	54	M-1054-6.5	-	-	-	-	-	-	-
55	6	25	14.5	57	55	M-1055-6.5	-	-	-	-	-	-	-
56	6	25	14.5	58	56	M-1056-6.5	-	-	-	-	-	-	-
60	6	25	14.5	62	60	M-1060-6.5	-	-	-	-	-	-	-
64	6	25	14.5	66	64	M-1064-6.5	-	-	-	-	-	-	-
65	6	25	14.5	67	65	M-1065-6.5	-	-	-	-	-	-	-
70	6	30	14.5	72	70	M-1070-6.5	-	-	-	-	-	-	-
72	6	30	16.5	74	72	M-1072-6.5	-	-	-	-	-	-	-
75	6	30	16.5	77	75	M-1075-6.5	-	-	-	-	-	-	-
80	8	40	16.5	82	80	M-1080-6.5	-	-	-	-	-	-	-
90	8	40	18.5	92	90	M-1090-6.5	-	-	-	-	-	-	-
96	8	40	18.5	98	96	M-1096-6.5	-	-	-	-	-	-	-
100	8	40	18.5	102	100	M-10100-6.5	-	-	-	-	-	-	-
120	10	40	18.5	122	120	M-10120-6.5	-	-	-	-	-	-	-

CYLINDRISKA KUGGHJUL I PLAST, FORMSPRUTADE

PLASTIC SPURGEARS, INJECTION MOULDED

Modul 0.5 rakskurna kuggar

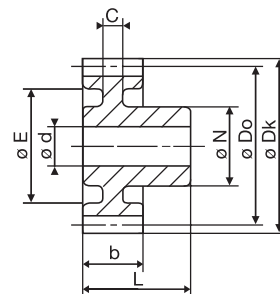
Module 0.5 straight toothed

Ingreppsvinkel 20°

Pressure angle 20°

Material: Polyacetal (hostaform C)

Material: Polyacetal (hostaform C)



Best. Nr. Code	Antal tänder No of teeth		Do	Dk	N	E	L	C	b
	Z	d							
SH0512	12	2	6.0	7.0	4	-	7	-	3
SH0513	13	2	6.5	7.5	4	-	7	-	3
SH0514	14	2	7.0	8.0	5	-	7	-	3
SH0515	15	3	7.5	8.5	6	-	10	-	3
SH0516	16	3	8.0	9.0	6	-	10	-	3
SH0517	17	3	8.5	9.5	6	-	10	-	3
SH0518	18	4	9.0	10.0	8	-	10	-	3
SH0519	19	4	9.5	10.5	8	-	10	-	3
SH0520	20	4	10.0	11.0	8	-	10	-	3
SH0521	21	4	10.5	11.5	8	-	10	-	3
SH0522	22	4	11.0	12.0	10	-	10	-	3
SH0523	23	4	11.5	12.5	10	-	10	-	3
SH0524	24	4	12.0	13.0	10	-	10	-	3
SH0525	25	4	12.5	13.5	10	-	10	-	3
SH0526	26	4	13.0	14.0	10	-	10	-	3
SH0527	27	4	13.5	14.5	10	-	10	-	3
SH0528	28	4	14.0	15.0	10	-	10	-	3
SH0530	30	4	15.0	16.0	12	-	10	-	3
SH0532	32	(5) 4	16.0	17.0	12	-	10	-	3
SH0535	35	4	17.5	18.5	12	-	10	-	3
SH0536	36	(5) 4	18.0	19.0	12	-	10	-	3
SH0538	38	4	19.0	20.0	12	-	10	-	3
SH0540	40	4	20.0	21.0	12	14.5	10	2	3
SH0542	42	4	21.0	22.0	12	16.0	10	2	3
SH0545	45	4	22.5	23.5	12	18.5	10	2	3
SH0548	48	6	24.0	25.0	15	19.0	10	2	3
SH0550	50	6	25.0	26.0	15	20.0	10	2	3
SH0552	52	6	26.0	27.0	15	21.0	10	2	3
SH0554	54	6	27.0	28.0	15	22.0	10	2	3
SH0555	55	6	27.5	28.5	15	23.0	10	2	3
SH0556	56	6	28.0	29.0	15	23.0	10	2	3
SH0560	60	6	30.0	31.0	15	24.0	10	2	3
SH0564	64	6	32.0	33.0	15	25.0	10	2	3
SH0565	65	6	32.5	33.5	15	27.0	10	2	3
SH0570	70	6	35.0	36.0	15	29.0	10	2	3
SH0572	72	6	36.0	37.0	15	30.0	10	2	3
SH0575	75	6	37.5	38.5	15	33.0	10	2	3
SH0580	80	6	40.0	41.0	15	36.0	10	2	3
SH0590	90	6	45.0	46.0	15	39.0	10	2	3
SH0596	96	6	48.0	49.0	15	42.0	10	2	3
SH05100	100	6	50.0	51.0	15	44.0	10	2	3
SH05120	120	6	60.0	61.0	15	54.0	10	2	3

Mått inom parantes på begäran.

Measure in brackets by request.

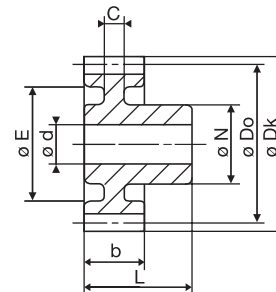
CYLINDRISKA KUGGHJUL I PLAST, FORMSPRUTADE

PLASTIC SPURGEARS, INJECTION MOULDED

Modul 0.7 rakskurna kuggar
Module 0.7 straight toothed

Ingreppsvinkel 20°
 Pressure angle 20°

Material: Polyacetal (hostaform C)
 Material: Polyacetal (hostaform C)



Best. Nr. Code	Antal tänder No of teeth	Z	d	Do	Dk	N	E	L	C	b
SH0712	12	3	8.4	9.8	6	-	-	15	-	6
SH0713	13	3	9.1	10.5	6	-	-	15	-	6
SH0714	14	3	9.8	11.2	6	-	-	15	-	6
SH0715	15	3	10.5	11.9	6	-	-	15	-	6
SH0716	16	4	11.2	12.6	9	-	-	15	-	6
SH0717	17	4	11.9	13.3	9	-	-	15	-	6
SH0718	18	4	12.6	14.0	9	-	-	15	-	6
SH0719	19	4	13.3	14.7	9	-	-	15	-	6
SH0720	20	4	14.0	15.4	9	-	-	15	-	6
SH0721	21	4	14.7	16.1	9	-	-	15	-	6
SH0722	22	4	15.4	16.8	9	-	-	15	-	6
SH0724	23	4	16.1	17.5	9	-	-	15	-	6
SH0724	24	4	16.8	18.2	9	13.5	-	15	3	6
SH0725	25	6	17.5	18.9	9	13.5	-	15	3	6
SH0726	26	6	18.2	19.6	9	13.5	-	15	3	6
SH0727	27	6	18.9	20.3	9	13.5	-	15	3	6
SH0728	28	6	19.6	21.0	9	13.5	-	15	3	6
SH0730	30	6	21.0	22.4	12	16.0	-	15	3	6
SH0732	32	6	22.4	23.8	12	16.0	-	15	3	6
SH0735	35	6	24.5	25.9	15	19.0	-	15	3	6
SH0736	36	6	25.2	26.6	15	19.0	-	15	3	6
SH0738	38	6	26.6	28.0	15	21.5	-	15	3	6
SH0740	40	6	28.0	29.4	15	21.5	-	15	3	6
SH0742	42	6	29.4	30.8	18	24.5	-	15	2	6
SH0745	45	6	31.5	32.9	18	24.5	-	15	2	6
SH0748	48	8	33.6	35.0	18	24.5	-	15	2	6
SH0750	50	8	35.0	36.4	18	28.0	-	15	2	6
SH0752	52	8	36.4	37.8	18	28.0	-	15	2	6
SH0754	54	8	37.8	39.2	18	28.0	-	15	2	6
SH0755	55	8	38.5	39.9	18	31.0	-	15	2	6
SH0756	56	8	39.2	40.6	18	31.0	-	15	2	6
SH0760	60	8	42.0	43.4	18	31.0	-	15	2	6
SH0764	64	8	44.8	46.2	18	37.5	-	15	2	6
SH0765	65	8	45.5	46.9	18	37.5	-	15	2	6
SH0770	70	8	49.0	50.4	18	37.5	-	15	2	6
SH0772	72	8	50.4	51.8	18	37.5	-	15	2	6
SH0775	75	10	52.5	53.9	18	37.5	-	15	2	6
SH0780	80	10	56.0	57.4	21	47.0	-	15	2	6
SH0790	90	10	63.0	64.4	21	56.5	-	15	2	6
SH0796	96	10	67.2	68.6	21	56.5	-	15	2	6
SH07100	100	10	70.0	71.4	21	56.5	-	15	2	6
SH07120	120	10	84.0	85.4	21	77.0	-	15	2	6

CYLINDRISKA KUGGHJUL I PLAST, FORMSPRUTADE

PLASTIC SPURGEARS, INJECTION MOULDED

Modul 1.0 rakskurna kuggar

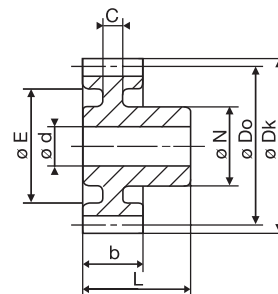
Module 1.0 straight toothed

Ingreppsvinkel 20°

Pressure angle 20°

Material: Polyacetal (hostaform C)

Material: Polyacetal (hostaform C)



Best. Nr. Code	Antal tänder No of teeth		Do	Dk	N	E	L	C	b
	Z	d							
SH1012	12	4	12	14	9	-	17	-	9
SH1013	13	4	13	15	9	-	17	-	9
SH1014	14	4	14	16	9	-	17	-	9
SH1015	15	4	15	17	9	-	17	-	9
SH1016	16	(5) 4	16	18	9	-	17	-	9
SH1017	17	4	17	19	9	-	17	-	9
SH1018	18	4	18	20	9	13.5	17	6.0	9
SH1019	19	4	19	21	9	13.5	17	6.0	9
SH1020	20	4	20	22	9	13.5	17	6.0	9
SH1021	21	5	21	23	12	16.0	17	6.0	9
SH1022	22	5	22	24	12	16.0	17	6.0	9
SH1023	23	5	23	25	12	16.0	17	6.0	9
SH1024	24	6	24	26	15	19.0	18	6.0	9
SH1025	25	6	25	27	15	19.0	18	6.0	9
SH1026	26	6	26	28	15	19.0	18	6.0	9
SH1027	27	6	27	29	15	19.0	18	6.0	9
SH1028	28	(5) 6	28	30	15	22.0	18	6.0	9
SH1030	30	6	30	32	15	22.0	18	6.0	9
SH1032	32	6	32	34	18	24.5	18	4.6	9
SH1035	35	8	35	37	18	24.5	18	4.6	9
SH1036	36	(6) 8	36	38	18	28.0	18	4.6	9
SH1038	38	8	38	40	18	28.0	18	4.6	9
SH1040	40	8	40	42	18	28.0	18	4.6	9
SH1042	42	8	42	44	18	28.0	18	4.6	9
SH1045	45	8	45	47	18	37.0	18	4.6	9
SH1048	48	8	48	50	18	37.0	18	4.6	9
SH1050	50	8	50	52	18	37.0	18	4.6	9
SH1052	52	8	52	54	21	47.0	18	4.6	9
SH1054	54	8	54	56	21	47.0	18	4.6	9
SH1056	55	8	55	57	21	47.0	18	4.6	9
SH1058	56	8	56	58	21	47.0	18	4.6	9
SH1060	58	8	58	60	21	58.0	18	4.6	9
SH1060	60	8	60	62	21	47.0	18	4.6	9
SH1064	64	(8) 10	64	66	21	57.0	18	4.6	9
SH1065	65	(8) 10	65	67	21	57.0	18	4.6	9
SH1070	70	(8) 10	70	72	21	57.0	18	4.6	9
SH1072	72	(8) 10	72	74	21	67.0	18	4.6	9
SH1075	75	(8) 10	75	77	21	67.0	18	4.6	9
SH1080	80	(8) 10	80	82	21	67.0	18	4.6	9
SH1085	85	(8) 10	85	87	21	77.0	18	4.6	9
SH1090	90	(8) 10	90	92	21	77.0	18	4.6	9
SH10100	100	12	100	102	24	87.0	18	4.6	9
SH10110	110	12	110	112	24	97.0	18	4.6	9
SH10120	120	12	120	122	24	107.0	18	4.6	9
SH10130	130	12	130	132	24	115.0	18	4.6	9
SH10140	140	12	140	142	24	125.0	18	4.6	9

Mått inom parantes på begäran.

Measure in brackets by request.

CYLINDRISKA KUGGHJUL I PLAST, FORMSPRUTADE

PLASTIC SPURGEARS, INJECTION MOULDED

Modul 1.25 rakskurna kuggar

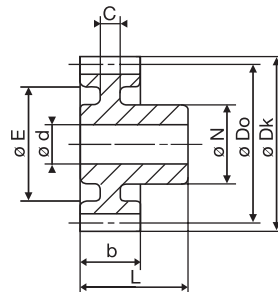
Module 1.25 straight toothed

Ingreppsvinkel 20°

Pressure angle 20°

Material: Polyacetal (hostaform C)

Material: Polyacetal (hostaform C)



Best. Nr. Code	Antal tänder No of teeth	Z	d	Do	Dk	N	E	L	C	b
SH-12512	12	5	15.00	17.50	9	-	19	-	10	10
SH-12513	13	5	16.25	18.75	9	-	19	-	10	10
SH-12514	14	5	17.50	20.00	9	-	19	-	10	10
SH-12515	15	5	18.75	21.25	9	13.5	19	7.0	10	10
SH-12516	16	5	20.00	22.50	9	13.5	19	7.0	10	10
SH-12517	17	5	21.25	23.75	9	13.5	19	7.0	10	10
SH-12518	18	5	22.50	25.00	12	16.0	19	7.0	10	10
SH-12519	19	5	23.75	26.25	12	16.0	19	7.0	10	10
SH-12520	20	5	25.00	27.50	12	16.0	19	7.0	10	10
SH-12521	21	6	26.25	28.75	15	19.0	19	7.0	10	10
SH-12522	22	6	27.50	30.00	15	19.0	19	7.0	10	10
SH-12523	23	6	28.75	31.25	15	19.0	19	7.0	10	10
SH-12524	24	6	30.00	32.50	15	21.5	19	7.0	10	10
SH-12525	25	6	31.25	33.75	15	21.5	19	7.0	10	10
SH-12525	26	6	32.50	35.00	18	24.0	19	5.5	10	10
SH-12527	27	6	33.75	36.25	18	24.0	19	5.5	10	10
SH-12528	28	8	35.00	37.50	18	24.0	19	5.5	10	10
SH-12530	30	8	37.50	40.00	18	28.0	19	5.5	10	10
SH-12532	32	8	40.00	42.50	18	28.0	19	5.5	10	10
SH-12535	35	8	43.00	46.25	18	28.0	19	5.5	10	10
SH-12536	36	8	45.00	47.50	18	37.5	19	5.5	10	10
SH-12538	38	8	47.50	50.00	18	37.5	19	5.5	10	10
SH-12540	40	8	50.00	52.50	18	37.5	19	5.5	10	10
SH-12542	42	8	52.50	55.00	18	37.5	19	5.5	10	10
SH-12545	45	8	56.25	58.75	21	47.5	19	5.5	10	10
SH-12548	48	8	60.00	62.50	21	47.5	19	5.5	10	10
SH-12550	50	8	62.50	65.00	21	47.5	19	5.5	10	10
SH-12552	52	10	65.00	67.50	21	57.0	19	5.5	10	10
SH-12554	54	10	67.50	70.00	21	57.0	19	5.5	10	10
SH-12555	55	10	68.75	71.25	21	57.0	19	5.5	10	10
SH-12556	56	10	70.00	72.50	21	57.0	19	5.5	10	10
SH-12560	60	10	75.00	77.50	21	67.0	19	5.5	10	10
SH-12564	64	10	80.00	82.50	21	67.0	19	5.5	10	10
SH-12565	65	10	81.25	83.75	21	67.0	19	5.5	10	10
SH-12570	70	10	87.50	90.00	21	77.0	19	5.5	10	10
SH-12572	72	12	90.00	92.50	21	77.0	19	5.5	10	10
SH-12575	75	10	93.75	96.25	21	77.0	19	5.5	10	10
SH-12580	80	12	100.00	102.50	24	87.0	19	5.5	10	10
SH-12590	90	12	112.50	115.00	24	97.0	19	5.5	10	10
SH-125100	100	12	125.00	127.50	24	107.0	19	5.5	10	10
SH-125110	110	12	137.50	140.00	24	116.0	19	5.5	10	10

CYLINDRISKA KUGGHJUL I PLAST, FORMSPRUTADE

PLASTIC SPURGEARS, INJECTION MOULDED

Modul 1.5 rakskurna kuggar

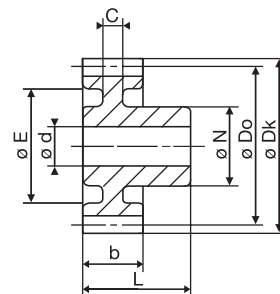
Module 1.5 straight toothed

Ingreppsvinkel 20°

Pressure angle 20°

Material: Polyacetal (hostaform C)

Material: Polyacetal (hostaform C)



Best. Nr. Code	Antal tänder No of teeth	Z	d	Do	Dk	N	E	L	C	b
		SH1512	12	6	18.0	21.0	14	-	23	-
SH1513	13	6	19.5	22.5	14	-	23	-	12	
SH1514	14	6	21.0	24.0	14	-	23	-	12	
SH1515	15	6	22.5	25.5	14	-	23	-	12	
SH1516	16	6	24.0	27.0	14	-	23	-	12	
SH1517	17	6	25.5	28.5	14	-	23	-	12	
SH1518	18	8	27.0	30.0	17	-	23	-	12	
SH1519	19	8	28.5	31.5	17	-	23	-	12	
SH1520	20	8	30.0	33.0	17	-	23	-	12	
SH1521	21	8	31.5	34.5	17	23	23	5	12	
SH1522	22	8	33.0	36.0	17	23	23	5	12	
SH1523	23	8	34.5	37.5	17	23	23	5	12	
SH1524	24	8	36.0	39.0	19	27	23	5	12	
SH1525	25	8	37.5	40.5	19	27	23	5	12	
SH1526	26	8	39.0	42.0	19	27	23	5	12	
SH1527	27	8	40.5	43.5	19	27	23	5	12	
SH1528	28	8	42.0	45.0	19	27	23	5	12	
SH1530	30	10	45.0	48.0	24	35	23	5	12	
SH1532	32	10	48.0	51.0	24	35	23	5	12	
SH1535	35	10	52.5	55.5	24	43	23	5	12	
SH1536	36	10	54.0	57.0	24	43	23	5	12	
SH1538	38	10	57.0	60.0	24	43	23	5	12	
SH1540	40	10	60.0	63.0	24	50	23	5	12	
SH1542	42	10	63.0	66.0	24	50	23	5	12	
SH1545	45	10	67.5	70.5	24	50	23	5	12	
SH1548	48	10	72.0	75.0	24	50	23	5	12	
SH1550	50	12	75.0	78.0	27	65	23	5	12	
SH1552	52	12	78.0	81.0	27	65	23	5	12	
SH1554	54	12	81.0	84.0	27	65	23	5	12	
SH1555	55	12	82.5	85.5	27	65	23	5	12	
SH1560	60	12	90.0	93.0	27	65	23	5	12	
SH1570	70	14	105.0	108.0	30	90	23	5	12	
SH1580	80	14	120.0	123.0	30	106	23	5	12	
SH1590	90	14	135.0	133.0	30	118	23	5	12	

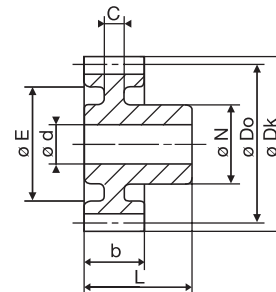
CYLINDRISKA KUGGHJUL I PLAST, FORMSPRUTADE

PLASTIC SPURGEARS, INJECTION MOULDED

Modul 2.0 rakskurna kuggar
Module 2.0 straight toothed

Ingreppsvinkel 20°
 Pressure angle 20°

Material: Polyacetal (hostaform C)
 Material: Polyacetal (hostaform C)



Best. Nr. Code	Antal tänder No of teeth	Z	d	Do	Dk	N	E	L	C	b
SH2012	12	8	24	28	18.5	-	-	27	-	15
SH2013	13	8	26	30	18.5	-	-	27	-	15
SH2014	14	8	28	32	18.5	-	-	27	-	15
SH2015	15	8	30	34	18.5	-	-	27	-	15
SH2016	16	8	32	36	17.5	23	27	6	6	15
SH2017	17	8	34	38	17.5	25	27	6	6	15
SH2018	18	8	36	40	17.5	26	27	6	6	15
SH2019	19	8	38	42	17.5	26	27	6	6	15
SH2020	20	10	40	44	20.0	29	27	6	6	15
SH2021	21	10	42	46	20.0	29	27	6	6	15
SH2022	22	10	44	48	20.0	29	27	6	6	15
SH2023	23	10	46	50	20.0	36	27	6	6	15
SH2024	24	10	48	52	24.0	36	27	6	6	15
SH2025	25	10	50	54	24.0	36	27	6	6	15
SH2026	26	10	52	56	24.0	40	27	6	6	15
SH2027	27	10	54	58	24.0	40	27	6	6	15
SH2028	28	10	56	60	24.0	40	27	6	6	15
SH2030	30	10	60	64	24.0	46	27	6	6	15
SH2032	32	10	64	68	26.0	46	27	6	6	15
SH2035	35	12	70	74	26.0	56	27	6	6	15
SH2036	36	12	72	76	26.0	56	27	6	6	15
SH2038	38	12	76	80	26.0	64	27	6	6	15
SH2040	40	12	80	84	26.0	64	27	6	6	15
SH2042	42	12	84	88	26.0	64	27	6	6	15
SH2045	45	14	90	94	30.0	70	27	6	6	15
SH2048	48	14	96	100	30.0	76	27	6	6	15
SH2050	50	14	100	104	30.0	80	27	6	6	15
SH2055	55	14	110	114	30.0	90	27	6	6	15
SH2060	60	14	120	124	30.0	100	27	6	6	15
SH2070	70	14	140	144	30.0	110	27	6	6	15

CYLINDRISKA KUGGHJUL I PLAST, FORMSPRUTADE

PLASTIC SPURGEARS, INJECTION MOULDED

Modul 3.0 rakskurna kuggar

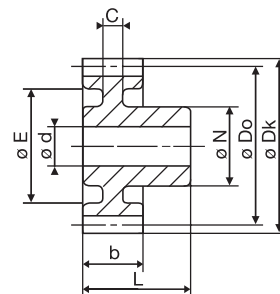
Module 3.0 straight toothed

Ingreppsvinkel 20°

Pressure angle 20°

Material: Polyacetal (hostaform C)

Material: Polyacetal (hostaform C)



Best. Nr. Code	Antal tänder No of teeth		Do	Dk	N	E	L	C	b
	Z	d							
SH3012	12	12	36	42	24	-	34	-	19
SH3013	13	12	39	45	24	-	34	-	19
SH3014	14	12	42	48	24	-	34	-	19
SH3015	15	12	45	51	24	30	34	8	19
SH3016	16	12	48	54	24	30	34	8	19
SH3017	17	12	51	57	24	30	34	8	19
SH3018	18	12	54	60	24	38	34	8	19
SH3019	19	12	57	63	24	38	34	8	19
SH3020	20	12	60	66	24	38	34	8	19
SH3021	21	12	63	69	24	45	34	8	19
SH3022	22	12	66	72	24	45	34	8	19
SH3023	23	12	69	75	24	52	34	8	19
SH3024	24	12	72	78	24	52	34	8	19
SH3025	25	14	75	81	28	58	34	8	19
SH3026	26	14	78	84	28	58	34	8	19
SH3027	27	14	81	87	28	58	34	8	19
SH3028	28	14	84	90	28	68	34	8	19
SH3030	30	14	90	96	28	68	34	8	19
SH3032	32	16	96	102	32	71	34	8	19
SH3033	33	16	99	105	32	71	34	8	19
SH3035	35	16	105	111	32	80	34	8	19
SH3038	38	16	114	120	32	89	34	8	19
SH3040	40	16	120	126	32	95	34	8	19
SH3045	45	16	135	141	32	110	34	8	19

CYLINDRISKA KUGGHJUL I GJUTJÄRN

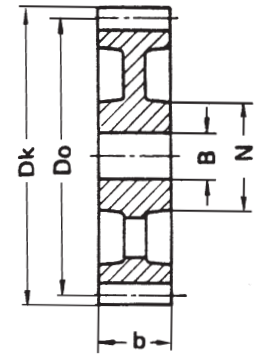
CAST IRON SPURGEARS

Modul 1.5 - 5.0
Module 1.5 - 5.0

Ingreppsvinkel 20°
 Pressure angle 20°

Material: Gjutjärn
 Material: Cast Iron

Toleranser: B = H7
 Tolerance: B = H7



	Tandantal No. of teeth	B	N	Dk	Do	Best. Nr. Code	(Nm)	b
MODUL 1.5	95	16	70	145.5	142.5	G-1595-17	-	17
	100	16	70	153.0	150.0	G-15100-17	-	17
	114	16	70	174.0	171.0	G-15114-17	-	17
MODUL 2.0	76	16	70	156.0	152.0	G-2076-20	-	20
	80	16	70	164.0	160.0	G-2080-20	-	20
	95	16	80	194.0	190.0	G-2095-20	-	20
	100	16	80	204.0	200.0	G-20100-20	-	20
	114	16	80	232.0	228.0	G-20114-20	-	20
MODUL 2.5	76	16	80	195.0	190.0	G-2576-25	-	25
	80	16	80	205.0	200.0	G-2580-25	-	25
	95	16	90	242.5	237.5	G-2595-25	-	25
	100	16	90	255.0	250.0	G-25100-25	-	25
	114	16	90	290.0	285.0	G-25114-25	-	25
MODUL 3.0	50	25	80	156.0	150.0	G-3050-30	-	30
	60	25	80	186.0	180.0	G-3060-30	-	30
	76	25	90	234.0	228.0	G-3076-30	-	30
	80	25	90	246.0	240.0	G-3080-30	-	30
	95	25	100	291.0	285.0	G-3095-30	-	30
	100	25	100	306.0	300.0	G-30100-30	-	30
	114	25	100	348.0	342.0	G-30114-30	-	30
MODUL 4.0	38	25	80	160.0	152.0	G-4038-40	-	40
	40	25	80	168.0	160.0	G-4040-40	-	40
	50	25	90	208.0	200.0	G-4050-40	-	40
	60	25	90	248.0	240.0	G-4060-40	-	40
	76	25	100	312.0	304.0	G-4076-40	-	40
	80	25	100	328.0	320.0	G-4080-40	-	40
	95	25	110	388.0	380.0	G-4095-40	-	40
	100	25	110	408.0	400.0	G-40100-40	-	40
MODUL 5.0	114	25	110	464.0	456.0	G-40114-40	-	40
	38	40	100	200.0	190.0	G-5038-50	-	50
	40	40	100	210.0	200.0	G-5040-50	-	50
	50	40	100	260.0	250.0	G-5050-50	-	50
	60	40	110	310.0	300.0	G-5060-50	-	50
	76	40	120	390.0	380.0	G-5076-50	-	50
	80	40	130	410.0	400.0	G-5080-50	-	50
	95	40	130	485.0	475.0	G-5095-50	-	50
100	40	140	510.0	500.0	G-50100-50	-	50	

KUGGSTÄNGER I STÅL, KVADRATISKA

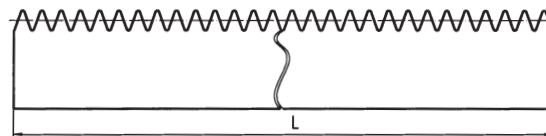
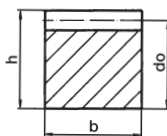
STEEL RACKS, SQUARE SIDE

Modul 0.5 - 16.0 rakskurna kuggar
Module 0.5 - 16.0 straight toothed

Ingreppsvinkel 20°
 Pressure angle 20°

Material: SS 1672 kalldraget
 Material: SS 1672 cold-drawn

Toleranser: $h = h_{11}$, $b = h_{11}$
 Tolerance: $h = h_{11}$, $b = h_{11}$



Modul Module	Best. Nr. Code	do	b	h	L		
0.50	S-050406 + längd / length	5.50	4	6	250	-	-
0.70	S-070507 + längd / length	6.30	5	7	250	-	-
1.00	S-100808 + längd / length	7.00	8	8	200	500	1000
1.00	S-101010 + längd / length	9.00	10	10	500	1000	2000
1.00	S-101515 + längd / length	14.00	15	15	500	1000	2000
1.25	S-121010 + längd / length	8.75	10	10	250	500	-
1.50	S-151212 + längd / length	10.50	12	12	-	500	1000
1.50	S-151515 + längd / length	13.50	15	15	500	1000	2000
1.50	S-151717 + längd / length	15.50	17	17	500	1000	2000
2.00	S-201616 + längd / length	14.00	16	16	500	1000	2000
2.00	S-202020 + längd / length	18.00	20	20	500	1000	2000
2.50	S-252020 + längd / length	17.50	20	20	-	500	1000
2.50	S-252525 + längd / length	22.50	25	25	500	1000	2000
3.00	S-302424 + längd / length	21.00	24	24	-	500	1000
3.00	S-303030 + längd / length	27.00	30	30	500	1000	2000
4.00	S-402525 + längd / length	21.25	25	25	500	1000	2000
4.00	S-403030 + längd / length	26.00	30	30	500	1000	2000
4.00	S-403232 + längd / length	28.00	32	32	500	1000	-
4.00	S-404040 + längd / length	36.00	40	40	500	1000	2000
5.00	S-504040 + längd / length	35.00	40	40	500	1000	-
5.00	S-505050 + längd / length	45.00	50	50	500	1000	2000
6.00	S-606060 + längd / length	54.00	60	60	-	1000	2000
8.00	S-808080 + längd / length	72.00	80	80	-	1000	2000
10.00	S-100100100 + längd / length	90.00	100	100	-	1000	2000
12.00	S-120120120 + längd / length	108.00	120	120	-	1000	2000
16.00	S-160160160 + längd / length	144.00	160	160	-	1000	2000

KUGGSTÄNGER I STÅL, RUNDA

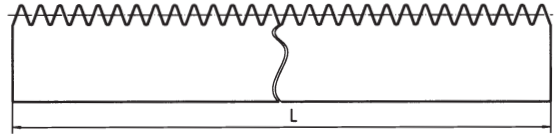
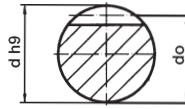
STEEL RACKS, ROUND

Modul 1.0 - 16.0 rakskurna kuggar
Module 1.0 - 16.0 straight toothed

Ingreppsvinkel 20°
 Pressure angle 20°

Material: SS 1672 centerlesslipad
 Material: SS 1672 centerless ground

Toleranser: d h9
 Tolerance: d h9



Modul Module	Best. Nr. Code	do	b	L			
1.0	RS- 10200	9.0	10	200	-	-	-
1.0	RS- 10300	9.0	10	-	300	-	-
1.0	RS- 10500	9.0	10	-	-	500	-
1.0	RS- 101000	9.0	10	-	-	-	1000
1.5	RS- 15200	13.5	15	200	-	-	-
1.5	RS- 15300	13.5	15	-	300	-	-
1.5	RS- 15500	13.5	15	-	-	500	-
1.5	RS- 151000	13.5	15	-	-	-	1000
2.0	RS- 20200	18.0	20	200	-	-	-
2.0	RS- 20300	18.0	20	-	300	-	-
2.0	RS- 20500	18.0	20	-	-	500	-
2.0	RS- 201000	18.0	20	-	-	-	1000
2.5	RS- 25300	22.5	25	-	300	-	-
2.5	RS- 25500	22.5	25	-	-	500	-
2.5	RS- 251000	22.5	25	-	-	-	1000
3.0	RS- 30500	27.0	30	-	-	500	-
3.0	RS- 301000	27.0	30	-	-	-	1000
4.0	RS- 40500	36.0	40	-	-	500	-
4.0	RS- 401000	36.0	40	-	-	-	1000
5.0	RS- 50500	45.0	50	-	-	500	-
5.0	RS- 501000	45.0	50	-	-	-	1000
6.0	RS- 60500	54.0	60	-	-	500	-
6.0	RS- 601000	54.0	60	-	-	-	1000
8.0	RS- 80500	72.0	80	-	-	500	-
8.0	RS- 801000	72.0	80	-	-	-	1000
10.0	RS- 100500	90.0	100	-	-	500	-
10.0	RS-1001000	90.0	100	-	-	-	1000
12.0	RS- 120500	108.0	120	-	-	500	-
12.0	RS-1201000	108.0	120	-	-	-	1000
16.0	RS- 160500	144.0	160	-	-	500	-
16.0	RS-1601000	144.0	160	-	-	-	1000

KUGGSTÄNGER I STÅL MED POLYGONPROFIL

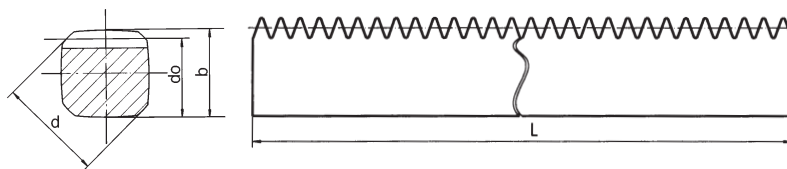
STEEL RACKS WITH POLYGON PROFILE

Modul 1.0 - 6.0 rakskurna kuggar
Module 1.0 - 6.0 straight toothed

Ingreppsvinkel 20°
 Pressure angle 20°

Material: Ck 45 kalldraget
 Material: Ck 45 cold-drawn

Toleranser: -
 Tolerance: -



Modul Module	Best. Nr. Code	b	d	do	L
1.0	PZ 14.11	11	14	10.0	1000
1.5	PZ 20.17	17	20	15.5	1000
2.0	PZ 25.21	21	25	19.0	1000
2.5	PZ 30.25	25	30	22.5	1000
3.0	PZ 35.30	30	35	27.0	1000
3.0	PZ 40.35	35	40	32.0	1000
4.0	PZ 45.40	40	45	36.0	1000
4.0	PZ 50.43	43	50	39.0	1000
5.0	PZ 60.53	53	60	49.0	1000
6.0	PZ 70.60	60	70	54.0	1000

Se även H 18-25
 See also H 18-25

KUGGSTÄNGER I MÄSSING, REKTANGULÄRA

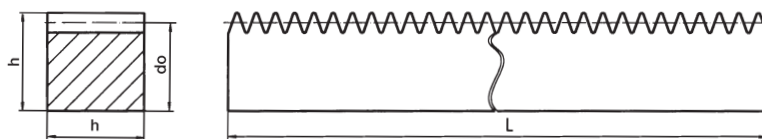
BRASS RACKS, RECTANGULAR SIDE

Modul 0.5 - 1.0 rakskurna kuggar
Module 0.5 - 1.0 straight toothed

Ingreppsvinkel 20°
 Pressure angle 20°

Material: Mässing MS 58
 Material: Brass MS 58

Toleranser: -
 Tolerance: -



Modul Module	Best. Nr. Code	do	b	h	L
0.5	M-050204 + längd	3.5	2	4	250
0.7	M-070406 + längd	5.3	4	6	250
1.0	M-100705 + längd	4.0	7	5	250
1.0	M-101010 + längd	9.0	10	10	250

KUGGSTÄNGER I PLAST, KVADRATISKA

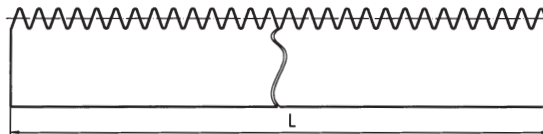
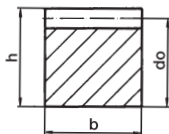
PLASTIC RACKS, SQUARE SIDE

Modul 0.5 - 16.0 rakskurna kuggar
Module 0.5 - 16.0 straight toothed

Ingreppsvinkel 20°
 Pressure angle 20°

Material: D = Delrin, P = Amid PA6G N
 Material: D = Delrin, P = Amid PA6G N

Toleranser: -
 Tolerance: -



Modul Module	Best. Nr. Code		do	b	h	L	
0.50	D-050406	+ längd	5.50	4	6	250	- -
0.70	D-070507	+ längd	6.30	5	7	250	- -
1.00	P-100808	+ längd	7.00	8	8	500	1000 -
1.00	P-101010	+ längd	9.00	10	10	500	1000 -
1.00	P-101515	+ längd	14.00	15	15	500	1000 -
1.25	D-121010	+ längd	8.75	10	10	250	500 -
1.50	P-151212	+ längd	10.50	12	12	500	1000 -
1.50	P-151717	+ längd	15.50	17	17	500	1000 -
2.00	P-201616	+ längd	14.00	16	16	500	1000 -
2.00	P-202020	+ längd	18.00	20	20	500	1000 -
2.50	P-252020	+ längd	17.50	20	20	500	1000 -
2.50	P-252525	+ längd	22.50	25	25	500	1000 -
3.00	P-302424	+ längd	21.00	24	24	500	1000 -
3.00	P-303030	+ längd	27.00	30	30	500	1000 -
4.00	P-403232	+ längd	28.00	32	32	500	1000 -
4.00	P-404040	+ längd	36.00	40	40	500	1000 -
5.00	P-504040	+ längd	35.00	40	40	500	1000 -
5.00	P-505050	+ längd	45.00	50	50	500	1000 -
6.00	P-606060	+ längd	54.00	60	60	500	1000 -
8.00	P-808080	+ längd	72.00	80	80	500	1000 -
10.00	P-100100100	+ längd	90.00	100	100	500	1000 -
12.00	P-120120120	+ längd	108.00	120	120	500	1000 -
16.00	P-160160160	+ längd	144.00	160	160	500	1000 -

KUGGSTÄNGER FORMSPRUTADE

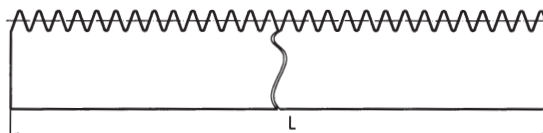
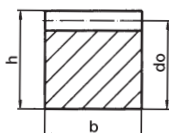
RACKS, INJECTION MOULDED

Modul 0.5 - 3.0 rakskurna kuggar
Module 0.5 - 3.0 straight toothed

Ingreppsvinkel 20°
 Pressure angle 20°

Material: Polyacetal (Hostaform C)
 Material: Polyacetal (Hostaform C)

Toleranser: -
 Tolerance: -



Modul Module	Best. Nr. Code		do	b	h	L
0.50	ZH 0525		4.00	4.0	4.5	ca. 250
0.50	ZH 0525 S		5.50	4.0	6.0	ca. 250
0.70	ZH 0725		6.00	6.0	6.7	ca. 250
1.00	ZH 1025		8.00	9.0	9.0	ca. 250
1.25	ZH 12525		9.75	10.0	11.0	ca. 250
1.50	ZH 1525		10.50	12.0	12.0	ca. 250
2.00	ZH 2025		9.00	15.4	11.0	ca. 250
3.00	ZH 3025		12.00	19.4	15.0	ca. 250

KUGGSTÄNGER OCH KUGGHJUL FÖR MÄTNING OCH SERVODRIFTER

RACKS AND SPURGEARS FOR MEASURING AND SERVO DRIVES

Beskrivning/Introduction

Kuggstängerna har en topp radie för att uppnå ett minimalt back lash och mjuk överrulling. Kuggstängerna är byggbara som standard.

The racks have a tip radius to achieve a minimal back lash and a smooth rolling. The racks are produced for continous mounting.

Teknisk data/Engineering data

Kvalitet Quality	DIN 3962, 3963, 3967 ^①		
Tillkommande delningsfel Adjacent pitch error	fp	(mm)	
Sammanlagt delningsfel Cumulative pitch error	Fp	(300 mm)	(mm)
Center avstånd Centre distance	$a = d_0 + \frac{D_0}{2}$		(mm)

① Basis Ø: 100 · module

Översiktstabeller/Selection tables

Kuggstänger: Delning i mm, rakskurna tänder, pressvinkel 20°

Racks: Rational pitch, straight teeth, pressure angle 20°

Delning Pitch	Modul	Finfrästa Precision cut			Hårdade tänder Teeth hardened SLG	Hårdade och slipade tänder Hardened, ground LMZG	Hårdade och slipade tänder Teeth hardened and ground M _{max} (Nm) ^①					
		RDMZ	DMZ	LMZ			Tand antal/No of teeth					
							16	20	25	26	30	
2,0	0,6366	•	•	•				① 15	② 45	2,5		3,0
5,0	1,5915	•	•	•	•	•		42	103			
7,5	2,3873	•	•	•	•	•		80	190	①	②	
10,0	3,1831	•	•	•	•	•		120	250	160	325	
12,5	3,9789	•	•		•							
20,0	6,3662				•		935	1150				
25,0	7,9577				•		1975	2450				
Kvalitet/Grade		7h25	7h25	7h25	8/9h25	5h22						
fp (mm)		0,008	0,008	0,008	0,008	0,005	① med/with RDMZ, DMZ, LMZ					
Fp (mm)		0,035	0,035	0,035	0,05	0,025	② med/with SLG, LMZG					

Kuggstänger: Delning i mm, snedskurna tänder, pressvinkel 20°

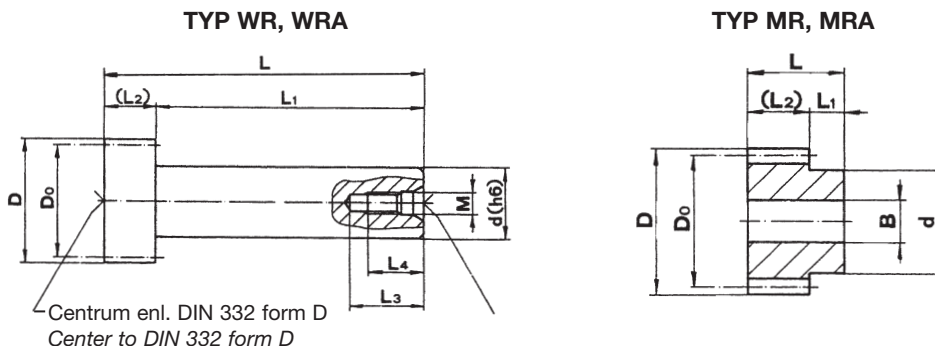
Racks: Rational pitch, helical teeth, pressure angle 20°

Delning Pitch	Modul	Finfrästa Precision cut LMZ	Hårdade och slipade tänder Teeth hardened and ground M _{max} (Nm) ^①		
			Tand antal/No of teeth		
			20	25	30
2,0	0,6366	•		4,0	
5,0	1,5915	•	18		
7,5	2,3873	•	50		
10,0	3,1831	•	150		
Kvalitet/Grade		7h25			
fp (mm)		0,008			
Fp (mm)		0,035			

KUGGSTÄNGER OCH KUGGHJUL FÖR MÄTNING OCH SERVODRIFTER

RACKS AND SPURGEARS FOR MEASURING AND SERVO DRIVES

Härdade tänder 58 HRC
 Hardened teeth 58 HRC
 Kvalité: 7 f 24
 Quality: 7 f 24



TYP WR

Rakskuren kugg / Straight toothed
 Bomberade tänder 0.01 x m / Crowned teeth 0.01 x m

Best. Nr. Code	Delning MM Pitch MM	Modul Module	Antal tänder No. of teeth	D	Do	d	L	L1	L2	L3	L4	M	m(kg)
WR 1020*	2.0	0.6366	30	20.4	19.10	12	70	60.5	9.5	21.0	16	M 6	0.06
WR 1520	5.0	1.5915	20	35.0	31.83	20	90	78.5	11.5	25.0	19	M 8	0.25
WR 2020	5.0	1.5915	20	35.0	31.83	20	90	75.5	14.5	25.0	19	M 8	0.27
WR 2520	7.5	2.3873	20	52.5	47.75	25	108	88.5	19.5	30.0	22	M 10	0.55
WR 3520	10.0	3.1831	20	70.0	63.66	40	162	132.5	29.5	37.5	28	M 12	1.95

TYP MR

Rakskuren kugg / Straight toothed
 Bomberade tänder 0.01 x m / Crowned teeth 0.01 x m

Best. Nr. Code	Delning MM Pitch MM	Modul Module	Antal tänder No. of teeth	D	Do	d	L±01	L1	L2	BH7	m(kg)
MR 2025*	2.0	0.6366	25	17.19	15.92	10	15	5.5	9.5	5	0.02
MR 5020	5.0	1.5915	20	35.01	31.83	25	23	8.5	14.5	10	0.11
MR 7520	7.5	2.3873	20	52.52	47.75	40	30	10.5	19.5	15	0.34
MR 10020	10.0	3.1831	20	70.02	63.66	50	43	13.5	29.5	15	0.88
MR 12520	12.5	3.9789	20	87.54	79.58	65	60	20.0	40.0	35	1.80
MR 12526	12.5	3.9789	26	111.41	103.45	90	85	45.0	40.0	50	3.20
MR 20016	20.0	6.3662	16	118.41	105.68	85	85	25.0	60.0	50	3.60
MR 20020	20.0	6.3662	20	140.06	127.32	105	105	45.0	60.0	60	6.10
MR 25016	25.0	7.9577	16	148.01	132.10	105	105	25.0	80.0	60	9.60
MR 25020	25.0	7.9577	20	175.07	159.15	135	105	25.0	80.0	75	15.60

TYP WRA

Snedskuren kugg / Härdad och slipad
 Helical toothed / Hardened and ground

Best. Nr. Code	Delning MM Pitch MM	Modul Module	Antal tänder No. of teeth	D	Do	dh6	L	L1	L2	L3	L4	M	m(kg)
WRA 1030*	2.0	0.6366	30	20.4	19.10	12	70	60.5	9.5	21.0	16	M 6	0.06
WRA 1520	5.0	1.5915	20	34.9	31.83	20	90	78.5	11.5	25.0	19	M 8	0.25
WRA 2020	5.0	1.5915	20	34.9	31.83	20	90	75.5	14.5	25.0	19	M 8	0.27
WRA 2520	7.5	2.3873	20	52.3	47.75	25	108	88.5	19.5	30.0	22	M 10	0.55
WRA 3520	10.0	3.1831	20	69.8	63.66	40	162	132.5	29.5	37.5	28	M 12	1.95

TYP MRA

Snedskuren kugg / Härdad och slipad
 Helical toothed / Hardened and ground

Best. Nr. Code	Delning MM Pitch MM	Modul Module	Antal tänder No. of teeth	D	Do	d	L	L1	L2	BH7	m(kg)
MRA 2025*	2.0	0.6366	25	17.1	15.92	10	15	5.5	9.5	5	0.02
MRA 5020	5.0	1.5915	20	34.9	31.83	25	23	8.5	14.5	10	0.11
MRA 7520	7.5	2.3873	20	52.3	47.75	40	30	10.5	19.5	15	0.34
MRA 10020	10.0	3.1831	20	69.8	63.66	50	43	13.5	29.5	15	0.88

* Material: ETG 100 samt badnitrerad
 * Materiale: ETG 100 and bath nitrated

KUGGSTÄNGER OCH KUGGHJUL FÖR MÄTNING OCH SERVODRIFTER

RACKS AND SPURGEARS FOR MEASURING AND SERVO DRIVES

TYP RDMZ

Rakskuren / *Straight cut*

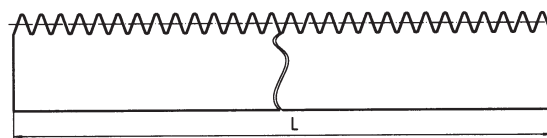
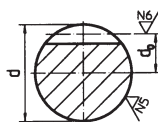
Kvalité: 7 h 25 / *Quality: 7 h 25*

Material: ETG 88

Material: ETG 88

Kuggstängerna är byggbara som standard.

Produced for continues mounting.



Best. Nr. Code	Delning Pitch	Modul Module	do	dh6	$L_{-0.2}^{+0.1}$	Vikt (kg) Weight (kg)
RDMZ 20	2.0	0.6366	4.36	10	1000	0.62
RDMZ 50	5.0	1.5915	5.91	15	1000	1.39
RDMZ 75	7.5	2.3873	7.61	20	1005	2.48
RDMZ 100	10.0	3.1831	11.82	30	1000	5.55
RDMZ 125	12.5	3.9789	16.02	40	1000	9.86

TYP DMZ

Rakskuren / *Straight cut*

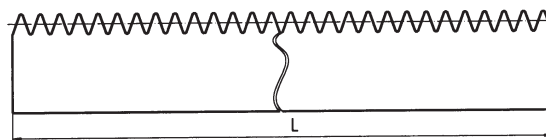
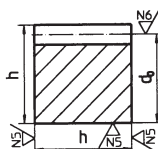
Kvalité: 7 h 25 / *Quality: 7 h 25*

Material: C 45 1.1191

Material: C 45 1.1191

Kuggstängerna är byggbara som standard.

Produced for continues mounting.



Best. Nr. Code	Delning Pitch	Modul Module	do	hh6	$L_{-0.2}^{+0.1}$	Vikt (kg) Weight (kg)
DMZ 20	2.0	0.6366	8.86	9.5	1000	0.66
DMZ 50	5.0	1.5915	12.90	14.5	1000	1.47
DMZ 75	7.5	2.3873	17.11	19.5	1005	2.63
DMZ 100	10.0	3.1831	26.32	29.5	1000	6.09
DMZ 125	12.5	3.9789	35.52	39.5	1000	11.01

TYP LMZ

Rakskuren / *Straight cut*

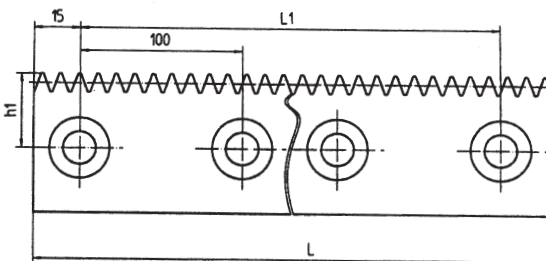
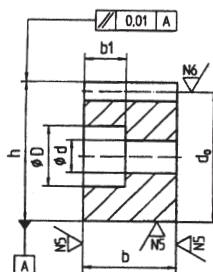
Kvalité: 7 h 25 / *Quality: 7 h 25*

Material: Cf53 1.1213

Material: Cf53 1.1213

Kuggstängerna är byggbara som standard.

Produced for continues mounting.



Best. Nr. Code	Delning Pitch	Modul Module	do	$B_{\pm 0.02}$	$h_{\pm 0.02}$	$L_{-0.2}^{+0.1}$	L1	$h_{1\pm 0.1}$	D	d	b1	Vikt (kg) Weight (kg)
LMZ 20	2.0	0.6366	18.86	9.5	19.5	1030	1000	9.0	10.0	5.8	5.7	1.40
LMZ 50	5.0	1.5915	22.91	14.5	24.5	1030	1000	11.5	11.0	7.0	6.8	2.60
LMZ 55	5.0	1.5915	27.91	19.5	29.5	1030	1000	14.0	15.0	9.0	9.0	4.20
LMZ 75	7.5	2.3873	30.61	24.5	33.0	1230	1200	14.5	15.0	9.0	9.0	7.00
LMZ 100	10.0	3.1831	43.42	34.5	46.6	1230	1200	18.0	18.0	11.0	11.0	13.90

KUGGSTÄNGER OCH KUGGHJUL FÖR MÄTNING OCH SERVODRIFTER

RACKS AND SPURGEARS FOR MEASURING AND SERVO DRIVES

TYP SLG

Rakskuren / *Straight cut*

Kvalité: 8/9 h 25 / *Quality: 8/9 h 25*

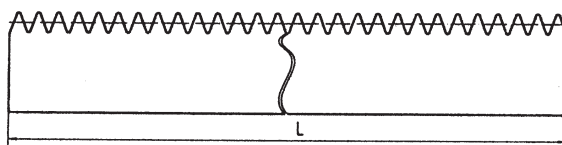
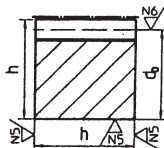
Material: Ck 45 1.1191 <40, Ck 60 >40

Material: Ck 45 1.1191 <40, Ck 60 >40

Kuggstångerna är byggbara som standard.

Produced for continues mounting.

Härdad / *Hardened*



Best. Nr. Code	$L_{-0.2}$	Delning Pitch	Modul Module	do	h _{h6}	Vikt (kg) Weight (kg)
SLG 75	1005	7.5	2.3873	17.11	19.5	2.63
SLG 100	1000	10.5	3.1831	26.32	29.5	6.09
SLG 125	1025	12.5	3.9789	36.02	40.0	11.41
	2000	12.5	3.9789	36.02	40.0	22.46
SLG 200	1000	20.0	6.3662	53.63	60.0	25.27
	2000	20.0	6.3662	53.63	60.0	50.54
SLG 250	1025	25.0	7.9577	72.04	80.0	45.20
	2000	25.0	7.9577	72.04	80.0	89.31

TYP LMZG

Rakskuren / *Straight cut*

Kvalité: 5 h 22 / *Quality: 5 h 22*

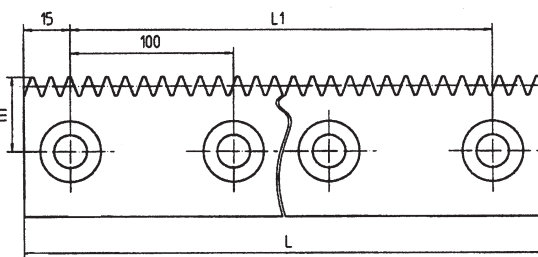
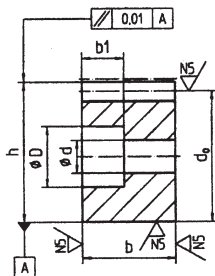
Material: Cf53 1.1213

Material: Cf53 1.1213

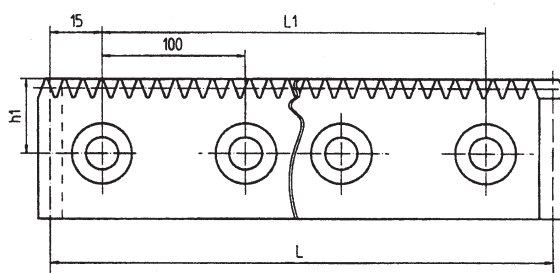
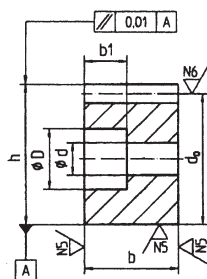
Kuggstångerna är byggbara som standard.

Produced for continues mounting.

Härdad och slipad / *Hardened and ground.*



Best. Nr. Code	Delning Pitch	Modul Module	do	$B_{\pm 0.02}$	$h_{\pm 0.02}$	$L_{-0.2}$	$L1_{\pm 0.2}$	$h1_{\pm 0.1}$	D	d	b1	Vikt (kg) Weight (kg)
LMZG 50	5.0	1.5915	22.91	14.5	24.5	1030	1000	11.5	11.0	7.0	6.8	2.60
LMZG 55	5.0	1.5915	27.91	19.5	29.5	1030	1000	14.0	15.0	9.0	9.0	4.20
LMZG 75	7.5	2.3873	30.61	24.5	33.0	1230	1200	14.5	15.0	9.0	9.0	7.00
LMZG 100	10.0	3.1831	43.42	34.5	46.6	1230	1200	18.0	18.0	11.0	11.0	13.90



TYP LMZA

Snedskurna / *Helical cut*

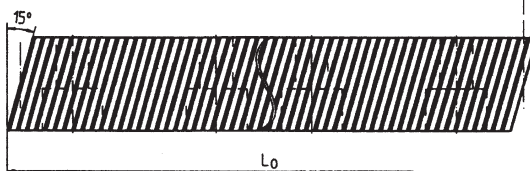
Kvalité: 7 h 25 / *Quality: 7 h 25*

Material: Cf53 1.1213

Material: Cf53 1.1213

Kuggstångerna är byggbara som standard.

Produced for continues mounting.



Best. Nr. Code	Delning Pitch	$b_{\pm 0.02}$	$h_{\pm 0.02}$	do	$L_{-0.2}$	Lo	$L1_{\pm 0.2}$	$h1_{\pm 0.1}$	D	d	d1	Vikt (kg) Weight (kg)
LMZA 20	2.0	9.5	19.5	18.88	1030	1032.55	1000	9.0	10.0	5.8	5.7	1.40
LMZA 50	5.0	14.5	24.5	22.97	1030	1034.09	1000	11.5	11.0	7.0	6.8	2.60
LMZA 55	5.0	19.5	29.5	27.97	1030	1035.50	1000	14.0	15.0	9.0	9.0	4.20
LMZA 75	7.5	24.5	33.0	30.70	1230	1237.05	1200	14.5	15.0	9.0	9.0	7.00
LMZA 100	10.0	34.5	46.6	43.54	1230	1239.76	1200	18.0	18.0	11.0	11.0	13.90

INNERKUGGKRANSAR

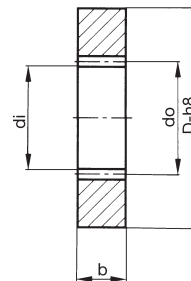
INTERNAL GEAR

Material: Mässing MS 58

Material: Brass MS 58

Ingreppsvinkel 20°

Pressure angle 20°



MODUL 0.5

Best. Nr. Code	Antal tänder Z No. of teeth Z	do	di	D	b
MI05040	40	20.0	19.0	36.0	4
MI05045	45	22.5	21.5	40.0	4
MI05048	48	24.0	23.0	40.0	4
MI05050	50	25.0	24.0	45.0	4
MI05055	55	27.5	26.5	45.0	4
MI05060	60	30.0	29.0	50.0	4
MI05065	65	32.5	31.5	55.0	4
MI05070	70	35.0	34.0	55.0	4
MI05080	80	40.0	39.0	60.0	4
MI05090	90	45.0	44.0	70.0	4
MI05100	100	50.6	49.0	70.0	4

MODUL 0.7

Best. Nr. Code	Antal tänder Z No. of teeth Z	do	di	D	b
MI07040	40	28.0	26.6	48.0	6
MI07045	45	31.5	30.1	50.0	6
MI07048	48	33.6	32.2	55.0	6
MI07050	50	35.0	33.6	55.0	6
MI07055	55	38.5	37.1	60.0	6
MI07060	60	42.0	40.6	65.0	6
MI07065	65	45.5	44.1	70.0	6
MI07070	70	49.0	47.6	70.0	6
MI07080	80	56.0	54.6	80.0	6
MI07090	90	63.0	61.6	85.0	6
MI07100	100	70.0	68.6	95.0	6

MODUL 1.0

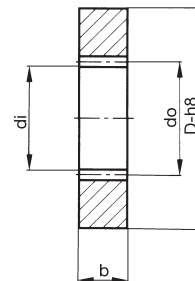
Best. Nr. Code	Antal tänder Z No. of teeth Z	do	di	D	b
MI10030	30	30.0	28.0	55	8
MI10036	36	36.0	34.0	60	8
MI10040	40	40.0	38.0	65	8
MI10045	45	45.0	43.0	70	8
MI10048	48	48.0	46.0	75	8
MI10050	50	50.0	48.0	75	8
MI10055	55	55.0	53.0	80	8
MI10060	60	60.0	58.0	85	8
MI10065	65	65.0	63.0	90	8
MI10070	70	70.0	68.0	95	8
MI10080	80	80.0	78.0	105	8
MI10090	90	90.0	88.0	115	8
MI10100	100	100.0	98.0	125	8

INNERKUGGKRANSAR

INTERNAL GEAR

Material: Stål C45
Material: Steel C45

Ingreppsvinkel 20°
Pressure angle 20°



MODUL 1.0

Best. Nr. Code	Antal tänder Z No. of teeth Z	do	di	D	b
SI10025	25	25	23.0	50	8
SI10030	30	30	28.0	55	8
SI10032	32	32	30.0	60	8
SI10036	36	36	34.0	60	8
SI10040	40	40	38.0	65	8
SI10045	45	45	43.0	70	8
SI10048	48	48	46.0	75	8
SI10050	50	50	48.0	75	8
SI10055	55	55	53.0	80	8
SI10060	60	60	58.0	85	8
SI10065	65	65	63.0	90	8
SI10070	70	70	68.0	95	8
SI10072	72	72	70.0	100	8
SI10080	80	80	78.0	105	8
SI10090	90	90	88.0	115	8
SI10100	100	100.0	98.0	125	8
SI10120	120	120.0	118.0	150	8

MODUL 1.5

Best. Nr. Code	Antal tänder Z No. of teeth Z	do	di	D	b
SI10525	25	37.5	34.5	70	12
SI10530	30	45.0	42.0	75	12
SI10532	32	48.0	45.0	80	12
SI10536	36	54.0	51.0	85	12
SI10540	40	60.0	57.0	90	12
SI10545	45	67.5	64.5	100	12
SI10548	48	72.0	69.0	100	12
SI10550	50	75.0	72.0	105	12
SI10555	55	82.5	79.5	112	12
SI10560	60	90.0	87.0	120	12
SI10565	65	97.5	94.5	120	12
SI10570	70	105.0	102.0	135	12
SI10572	72	108.0	105.0	140	12
SI10580	80	120.0	117.0	150	12
SI10590	90	135.0	132.0	170	12
SI105100	100	150.0	147.0	190	12
SI105120	120	180.0	177.0	220	12

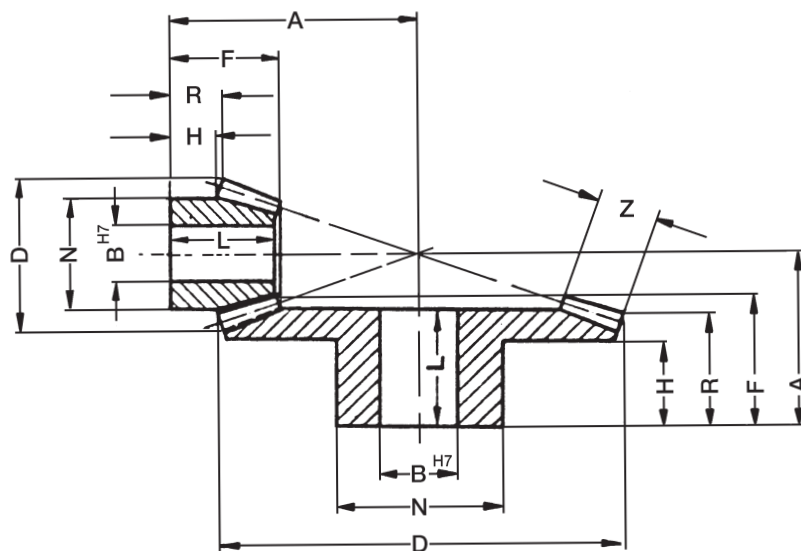
MODUL 2.0

Best. Nr. Code	Antal tänder Z No. of teeth Z	do	di	D	b
SI20030	30	60.0	56.0	95	16
SI20036	36	72.0	68.0	107	16
SI20040	40	80.0	76.0	115	16
SI20045	45	90.0	86.0	125	16
SI20048	48	96.0	92.0	131	16
SI20050	50	100.0	96.0	135	16
SI20055	55	110.0	106.0	145	16
SI20060	60	120.0	116.0	155	16
SI20065	65	130.0	126.0	165	16
SI20070	70	140.0	136.0	175	16
SI20072	72	144.0	140.0	185	16
SI20080	80	160.0	156.0	195	16
SI20090	90	180.0	176.0	220	16
SI20100	100	200.0	196.0	240	16

KONISKA RAKSKURNA KUGGHJUL I STÅL

STEEL BEVEL GEARS, STRAIGHT CUT

Modul 1.0
Module 1.0

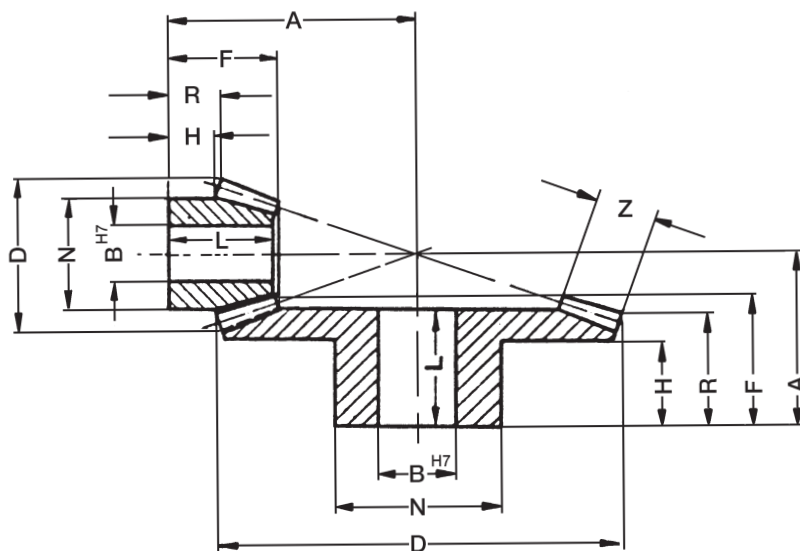


Best. Nr. Code	Utväxl. Ratio	Antal tänder No. of teeth	B	N	D	L	F	A	H	R	Z
100-16-16	1:1	16 16	6	12	17.4	11.0	12.8	18	8	10.2	4
100-20-20	1:1	20 20	6	15	21.4	12.0	13.5	20	7	10.2	5
100-25-25	1:1	25 25	8	20	26.4	13.0	15.2	23	8	11.2	6
100-30-30	1:1	30 30	10	22	31.4	15.0	16.8	27	8	12.7	6
100-40-40	1:1	40 40	12	30	41.4	18.0	19.8	35	10	15.7	6
100-20-30	1:1.5	20 30	6 10	15 22	21.7 31.1	13.0 15.0	14.4 16.9	24 23	7 10	9.6 13.8	6
100-20-40	1:2	20 40	6 10	15 30	21.8 40.9	15.5 15.0	16.7 17.3	31 24	10 10	11.5 14.9	6
100-18-45	1:2.5	18 45	6 12	12 35	19.9 45.7	16.5 16.0	17.4 17.9	34 24	10 12	11.9 15.9	6
100-16-48	1:3	16 48	6 12	12 35	17.9 48.6	16.5 15.5	16.9 17.8	35 23	10 10	11.3 17.8	6
100-15-60	1:4	15 60	6 12	11 35	16.9 60.5	14.5 20.5	15.0 22.7	39 28	9 12	9.2 21.5	6

KONISKA RAKSKURNA KUGGHJUL I STÅL

STEEL BEVEL GEARS, STRAIGHT CUT

Modul 1.5
Module 1.5

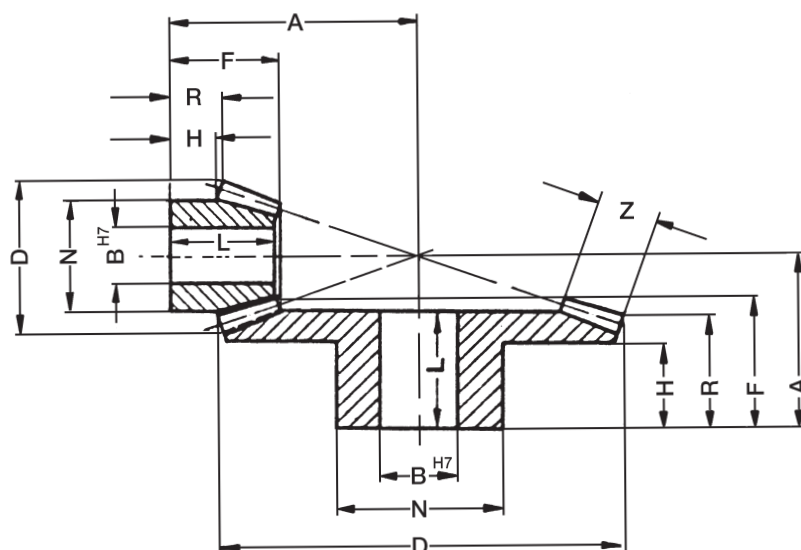


Best. Nr. Order No.	Utväxling Ratio	Tandantal No. of teeth	B	N	D	L	F	A	H	R	Z
150-16-16	1:1	16 16	8	20	26.10	15.40	17.00	24	10.0	13.1	6.0
150-19-19	1:1	19 19	10	25	30.62	15.04	17.04	25	9.0	11.8	8.0
150-20-20	1:1	20 20	10	25	32.10	16.00	17.30	26	8.5	12.0	8.0
150-22-22	1:1	22 22	10	22	35.12	16.69	19.19	30	10.0	14.56	7.0
150-26-26	1:1	26 26	10	24	41.12	18.08	20.58	33	10.0	14.56	9.0
150-30-30	1:1	30 30	10	30	47.12	18.95	21.95	38	12.0	16.56	8.0
150-16-20	1:1.25	16 20	8 10	22 27	26.40 31.90	15.00 16.00	17.00 19.10	26 26	10.0 12.0	11.90 15.20	7.0
150-16-24	1:1.5	16 24	8 10	20 24	26.50 37.70	17.80 18.50	19.10 20.20	30 27	11.0 12.0	12.80 16.20	8.0
150-15-30	1:2	15 30	6 10	18 30	25.20 46.30	18.80 17.60	20.00 19.60	34 26	10.0 12.0	12.20 16.10	9.0
150-16-40	1:2.5	16 40	8 15	20 35	26.80 61.10	22.00 21.20	23.10 23.20	42 30	11.0 14.0	12.60 19.40	11.5
150-15-45	1:3	15 45	8 15	19 35	25.30 68.40	21.60 20.80	22.50 23.10	46 30	12.0 15.0	12.70 20.20	10.5
150-16-56	1:3.5	16 56	8 16	20 40	26.90 84.80	23.10 23.00	23.80 25.30	54 33	11.0 16.0	12.40 22.40	12.0
150-15-60	1:4	15 60	10 16	20 40	25.40 90.70	21.50 23.00	22.50 25.40	57 33	12.0 18.0	12.40 23.20	10.5
150-16-72	1:4.5	16 72	10 16	20 40	26.90 108.70	21.50 22.00	21.90 25.40	66 34	11.0 15.0	12.20 23.50	10.0
150-15-75	1:5	15 75	10 16	19 40	25.40 113.10	23.80 21.00	24.80 24.90	71 33	14.0 15.0	15.00 23.20	10.0

KONISKA RAKSKURNA KUGGHJUL I STÅL

STEEL BEVEL GEARS, STRAIGHT CUT

Modul 2.0
Module 2.0



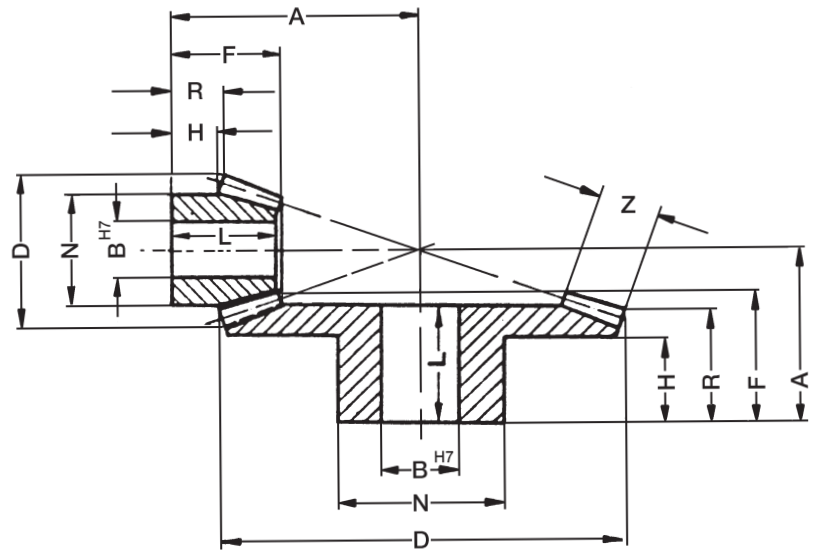
Best. Nr. Order No.	Utväxling Ratio	Tandantal No. of teeth	B	N	D	L	F	A	H	R	Z
200-16-16	1:1	16 16	10	22	34.80	16.00	19.20	28	10	13.40	9.0
200-19-19	1:1	19 19	12	28	40.82	19.00	21.97	33	9	15.42	10.0
200-20-20	1:1	20 20	12	30	42.80	20.00	23.00	35	10	16.40	10.0
200-22-22	1:1	22 22	12	30	46.82	18.04	21.04	35	9	14.42	10.0
200-26-26	1:1	26 26	12	30	54.82	21.10	24.10	42	10	17.42	10.0
200-30-30	1:1	30 30	14	40	62.82	21.16	24.16	43	12	17.42	10.0
200-16-20	1:1.25	16 20	10 12	26 28	35.10 42.50	18.00 20.00	21.00 23.70	33 33	11 13	14.30 18.60	9.0
200-16-24	1:1.5	16 24	10 12	22 26	35.30 50.20	19.10 18.70	21.40 21.90	36 31	10 11	13.10 16.70	10.5
200-15-30	1:2	15 30	10 14	25 34	33.60 61.80	21.60 19.60	23.30 22.50	42 31	11 12	12.90 17.80	12.0
200-16-40	1:2.5	16 40	10 18	24 40	35.70 81.50	27.30 25.20	28.80 28.00	54 37	13 18	14.70 22.90	15.5
200-15-45	1:3	15 45	10 16	24 40	33.80 91.30	26.50 26.50	27.70 29.80	59 39	13 19	14.60 25.90	14.0
200-16-56	1:3.5	16 56	12 20	26 50	35.80 113.10	29.60 29.60	30.70 32.80	71 43	14 21	15.50 28.90	16.0
200-15-60	1:4	15 60	10 20	24 50	33.90 121.00	25.60 29.00	27.00 32.90	73 43	12 22	13.50 29.90	14.0
200-16-72	1:4.5	16 72	12 22	26 50	35.90 144.90	29.50 29.00	31.00 33.50	90 45	14 20	18.40 31.00	13.0
200-15-75	1:5	15 75	12 22	25 50	33.90 150.90	31.00 29.00	32.10 34.00	95 45	20 21	20.40 32.00	12.0

KONISKA RAKSKURNA KUGGHJUL I STÅL

STEEL BEVEL GEARS, STRAIGHT CUT

Modul 2.5

Module 2.5

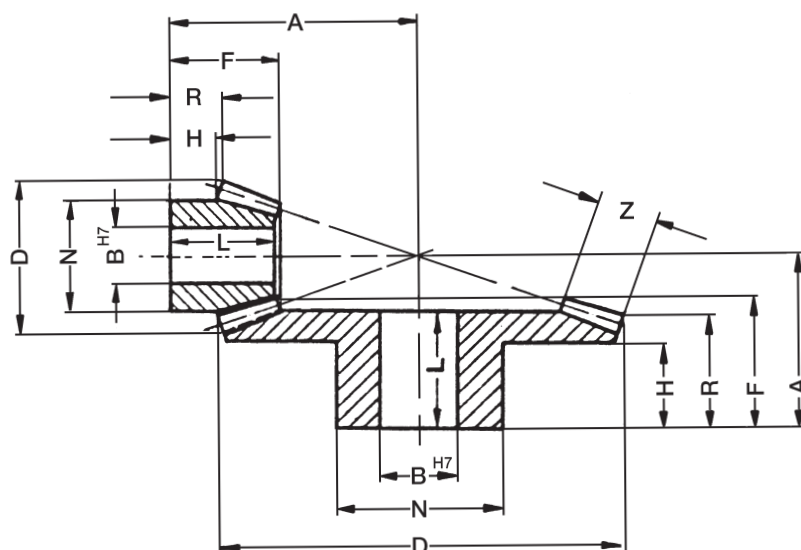


Best. Nr. Order No.	Utväxling Ratio	Tandantal No. of teeth	B	N	D	L	F	A	H	R	Z
250-16-16	1:1	16 16	12	30	43.50	18.30	21.60	33	10	14.80	10.5
250-19-19	1:1	19 19	12	30	51.03	20.00	23.87	38	10	16.02	12.0
250-20-20	1:1	20 20	12	35	53.50	23.00	26.60	42	13	18.80	12.0
250-22-22	1:1	22 22	14	40	58.53	22.21	26.21	44	12	18.27	12.0
250-26-26	1:1	26 26	16	40	68.53	23.79	27.29	50	12	19.27	12.0
250-30-30	1:1	30 30	16	50	78.53	28.36	32.36	60	15	24.27	12.0
250-16-20	1:1.25	16 20	12 14	32 34	43.90 53.10	20.00 23.00	23.00 26.50	38 38	10 14	14.60 20.00	11.5
250-16-24	1:1.5	16 24	12 16	28 36	44.10 62.80	21.90 22.60	24.70 26.60	43 38	11 14	14.40 20.10	13.0
250-15-30	1:2	15 30	14 16	30 40	41.90 77.20	25.50 24.80	27.60 28.40	51 39	12 16	14.60 22.50	15.0
250-16-40	1:2.5	16 40	14 20	34 50	44.60 101.90	32.70 30.00	34.20 33.50	66 45	14 20	16.90 27.30	19.0
250-15-45	1:3	15 45	14 22	32 50	42.20 114.10	31.40 34.80	32.90 38.40	75 50	15 26	16.50 33.60	17.5
250-16-56	1:3.5	16 56	16 24	34 60	44.80 141.40	35.30 36.20	36.70 40.20	87 53	16 26	17.70 35.40	20.0
250-15-60	1:4	15 60	15 25	32 60	42.40 151.20	30.90 35.00	32.00 39.30	90 52	14 25	15.60 35.70	17.0
250-16-72	1:4.5	16 72	16 26	34 60	44.90 181.10	35.60 29.30	37.10 35.30	112 50	21 20	22.50 32.40	15.0
250-15-75	1:5	15 75	16 28	30 60	42.40 188.50	39.60 31.80	41.20 37.10	115 50	20 23	21.70 33.70	20.0

KONISKA RAKSKURNA KUGGHJUL I STÅL

STEEL BEVEL GEARS, STRAIGHT CUT

Modul 3.0
Module 3.0

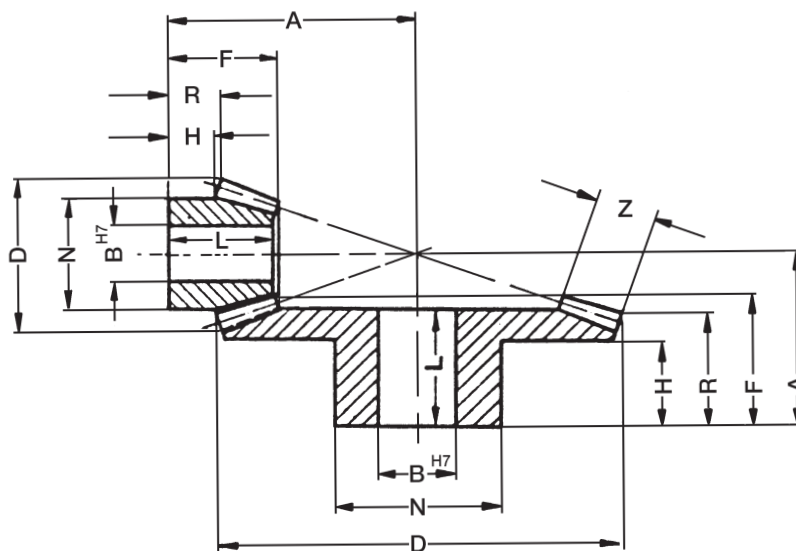


Best.nr Order No.	Utväxling Ratio	Tand antal No. of teeth	B	N	D	L	F	A	H	R	Z
300-16-16	1:1	16 16	14	38	52.50	22.60	26.10	40	11	18.10	12.5
300-19-19	1:1	19 19	16	40	61.23	24.95	28.45	45	12	18.63	15.0
300-20-20	1:1	20 20	16	44	64.20	26.00	30.00	48	13	20.10	15.0
300-22-22	1:1	22 22	16	44	70.23	25.06	29.06	50	11	19.30	15.0
300-26-26	1:1	26 26	18	50	82.23	29.16	33.16	60	15	23.13	15.0
300-30-30	1:1	30 30	20	60	94.23	32.24	37.24	70	15	27.13	15.0
300-16-20	1:1.25	16 20	16 16	40 40	52.50 63.80	22.00 26.00	25.80 29.90	44 44	11 16	15.90 22.30	13.5
300-16-24	1:1.5	16 24	16 18	36 40	53.00 75.30	24.70 26.50	28.00 31.20	50 45	11 17	15.70 23.50	15.5
300-15-30	1:2	15 30	15 20	35 50	50.40 92.70	30.50 30.90	32.50 35.30	61 48	13 20	17.30 28.20	18.0
300-16-40	1:2.5	16 40	20 25	40 55	53.60 122.20	38.10 38.20	40.10 42.40	78 56	16 26	19.10 34.80	23.0
300-15-45	1:3	15 45	18 28	38 60	50.70 136.90	37.20 40.70	39.00 45.10	86 59	17 30	19.40 39.30	21.0
300-16-56	1:3.5	16 56	20 30	40 65	53.80 169.60	36.00 45.00	37.40 49.70	107 65	16 33	19.80 43.90	24.0
300-15-60	1:4	15 60	16 28	38 65	50.80 181.50	36.00 41.50	37.40 46.70	107 62	16 30	17.70 42.40	20.5
300-16-72	1:4.5	16 72	18 30	40 65	53.90 217.30	45.00 30.80	47.00 37.70	135 55	26 21	27.60 33.90	20.0
300-15-75	1:5	15 75	18 34	36 65	50.90 226.20	50.80 38.20	52.50 44.70	140 60	27 28	28.10 40.40	25.0

KONISKA RAKSKURNA KUGGHJUL I STÅL

STEEL BEVEL GEARS, STRAIGHT CUT

Modul 3.5 Module 3.5

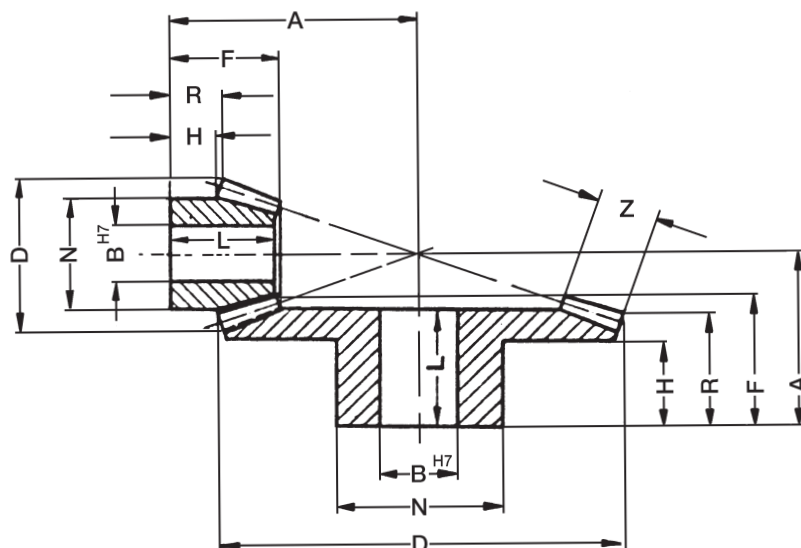


Best. Nr. Order No.	Utväxling Ratio	Tandantal No. of teeth	B	N	D	L	F	A	H	R	Z
350-16-16	1:1	16 16	18	42	60.10	26.60	30.20	47	15	21.50	13.5
350-19-19	1:1	19 19	20	50	71.44	29.01	33.01	52	15	21.23	18.0
350-20-20	1:1	20 20	20	50	74.90	30.00	34.30	55	15	22.50	18.0
350-22-22	1:1	22 22	20	50	81.94	30.89	35.89	60	15	23.98	18.0
350-26-26	1:1	26 26	22	60	95.94	34.02	39.02	70	16	26.98	18.0
350-30-30	1:1	30 30	22	70	109.94	34.61	40.11	78	16	27.98	18.0
350-16-20	1:1.25	16 20	20 20	50 50	61.50 74.40	27.00 31.00	30.90 35.70	52 52	15 19	19.20 26.70	16.0
350-16-24	1:1.5	16 24	20 22	46 50	61.80 87.90	28.50 32.40	32.30 37.80	58 54	13 21	18.00 28.90	18.0
350-15-30	1:2	15 30	18 22	44 55	58.80 108.10	34.40 35.10	36.90 40.00	70 55	15 23	19.10 31.90	20.5
350-16-40	1:2.5	16 40	20 30	48 65	62.50 142.60	42.40 46.30	44.40 50.90	89 67	17 33	20.30 42.20	26.5
350-15-45	1:3	15 45	20 30	45 70	59.10 159.70	42.30 47.80	44.50 52.90	99 69	19 35	21.60 46.10	24.5
350-16-56	1:3.5	16 56	22 32	46 72	62.70 197.90	46.90 49.50	48.20 55.10	119 73	19 36	22.00 48.40	27.5
350-15-60	1:4	15 60	20 32	44 72	59.30 211.70	42.20 49.40	43.90 55.20	125 73	19 36	20.80 50.10	24.0
350-16-72	1:4.5	16 72	24 35	46 72	62.80 253.50	52.00 43.20	54.00 50.20	155 70	28 32	29.70 45.40	25.0
350-15-75	1:5	15 75	22 36	44 72	59.40 263.90	57.00 44.70	58.60 52.20	160 70	29 32	29.40 47.20	30.0

KONISKA RAKSKURNA KUGGHJUL I STÅL

STEEL BEVEL GEARS, STRAIGHT CUT

Modul 4.0
Module 4.0



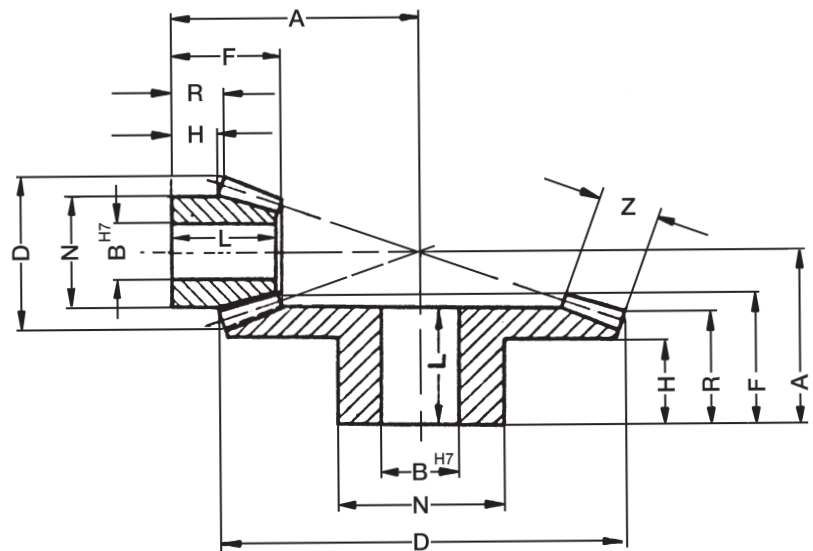
Best. Nr. Order No.	Utväxling Ratio	Tandantal No. of teeth	B	N	D	L	F	A	H	R	Z
400-16-16	1:1	16	20	46	69.70	30.30	35.40	54.0	16.50	24.80	16.5
		16									
400-19-19	1:1	19	22	52	81.64	30.00	35.93	58.0	15.00	22.84	20.0
		19									
400-20-20	1:1	20	22	55	85.60	33.00	38.00	62.0	16.00	24.80	20.0
		20									
400-22-22	1:1	22	24	60	93.64	35.03	40.03	68.0	16.00	26.84	20.0
		22									
400-26-26	1:1	26	24	65	109.64	38.21	44.21	80.0	22.00	30.84	20.0
		26									
400-30-30	1:1	30	30	80	125.64	41.00	46.31	90.0	20.00	32.84	20.0
		30									
400-16-20	1:1.25	16	22	52	70.30	30.00	33.70	58.0	13.00	20.50	18.0
		20	22	52	85.00	34.00	39.20	58.0	20.00	29.10	
400-16-24	1:1.5	16	20	52	70.60	32.20	36.50	66.0	14.00	20.20	20.5
		24	24	56	100.40	36.30	42.50	61.0	23.00	32.30	
400-15-30	1:2	15	20	48	67.10	38.40	41.20	79.0	16.00	20.80	23.5
		30	30	70	123.60	42.20	47.80	65.0	26.00	38.60	
400-16-40	1:2.5	16	25	50	71.44	47.90	50.30	101.0	19.00	22.50	30.5
		40	35	70	163.00	49.30	54.70	73.0	34.00	44.70	
400-15-45	1:3	15	25	50	67.60	47.30	49.00	112.0	20.00	23.20	27.5
		45	35	75	182.50	52.90	58.40	77.0	39.00	50.80	
400-16-56	1:3.5	16	25	54	71.70	60.00	62.70	145.0	32.00	34.10	30.0
		56	36	72	226.20	47.10	54.10	75.0	31.00	46.84	
400-15-60	1:4	15	24	50	67.80	61.20	63.70	150.0	29.00	31.00	34.0
		60	36	72	241.90	48.10	56.10	75.0	35.00	48.90	
400-16-72	1:4.5	16	28	52	71.80	63.50	66.00	180.0	35.00	36.90	30.0
		72	40	75	289.70	39.10	47.60	70.0	27.00	41.90	
400-15-75	1:5	15	26	50	67.80	67.90	69.90	185.0	34.00	35.80	35.0
		75	45	85	301.60	51.90	59.90	80.0	38.00	53.90	

KONISKA RAKSKURNA KUGGHJUL I STÅL

STEEL BEVEL GEARS, STRAIGHT CUT

Modul 4.5

Module 4.5

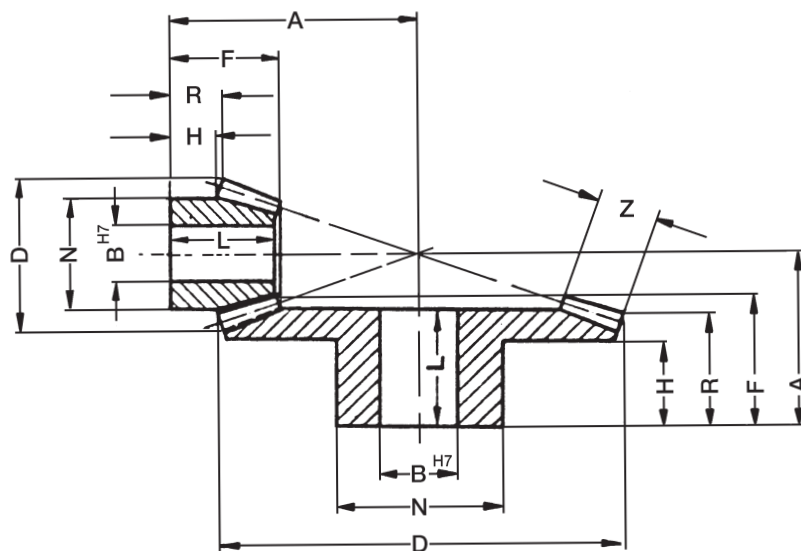


Best. Nr.	Utväxling	Tandantal	B	N	D	L	F	A	H	R	Z
Order No.	Ratio	No. of teeth									
450-16-16	1:1	16	22	52	78.40	34.70	40.40	61	20	28.20	19.0
		16									
450-19-19	1:1	19	24	60	91.85	36.84	41.84	67	18	27.44	22.0
		19									
450-20-20	1:1	20	24	65	96.40	38.00	42.70	70	18	28.20	22.0
		20									
450-22-22	1:1	22	24	70	105.35	41.00	46.25	78	20	31.69	22.0
		22									
450-26-26	1:1	26	30	70	123.35	38.40	44.40	85	18	29.69	22.0
		26									
450-30-30	1:1	30	30	90	141.35	45.54	52.54	100	20	35.69	25.0
		30									
450-16-20	1:1.25	16	24	60	79.00	35.00	39.80	67	17	24.8	20.5
		20	24	60	95.60	40.00	46.10	67	24	34.5	
450-15-24	1:1.5	16	25	60	79.40	37.00	41.80	75	17	23.5	23.0
		24	26	60	113.00	40.20	47.10	68	25	35.7	
450-15-30	1:2	15	25	52	75.50	42.20	45.50	88	17	22.5	26.5
		30	30	68	139.00	47.40	53.70	73	31	43.3	
450-16-40	1:2.5	16	28	60	80.40	52.00	55.70	113	21	24.7	34.0
		40	36	78	183.30	54.30	60.30	81	37	49.2	
450-15-45	1:3	15	26	56	76.00	51.00	53.10	124	21	24.2	31.0
		45	36	78	205.30	58.70	65.00	86	43	56.5	
450-16-56	1:3.5	16	28	60	80.60	65.90	68.90	165	37	40.3	30.0
		56	38	80	254.50	52.60	60.60	85	37	53.3	
450-15-60	1:4	15	26	55	76.20	67.30	69.80	170	33	36.1	35.0
		60	40	76	272.20	49.50	58.00	80	35	50.6	
450-16-72	1:4.5	16	32	60	80.80	70.20	73.00	200	37	39.0	35.0
		72	48	85	325.90	51.10	60.10	85	38	53.4	
450-15-75	1:5	15	30	56	76.30	74.10	76.10	205	35	37.1	40.0
		75	48	88	339.30	59.00	67.50	90	45	60.7	

KONISKA RAKSKURNA KUGGHJUL I STÅL

STEEL BEVEL GEARS, STRAIGHT CUT

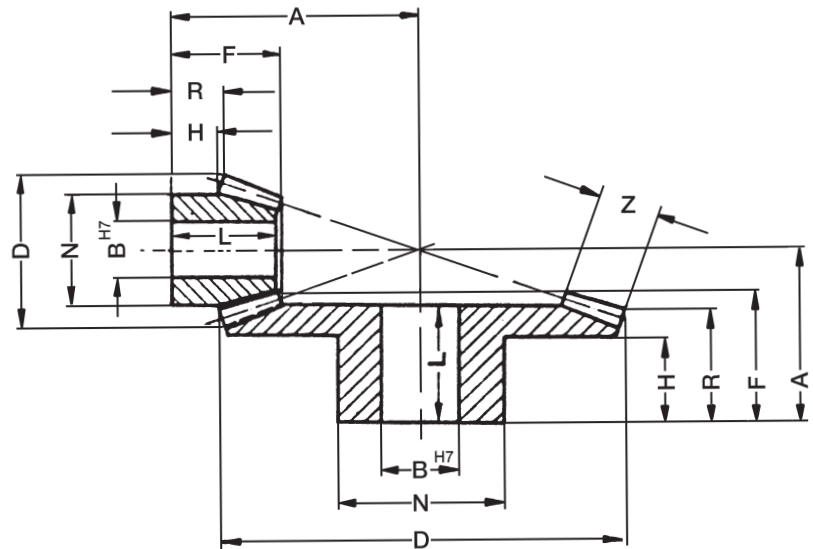
Modul 5.0
Module 5.0



Best. Nr. Order No.	Utväxling Ratio	Tandantal No. of teeth	B	N	D	L	F	A	H	R	Z
500-16-16	1:1	16	25	55	87.10	37.6	43.7	67	21	30.5	20.5
		16									
500-19-19	1:1	19	28	62	102.10	43.0	49.0	77	24	33.0	24.5
		19									
500-20-20	1:1	20	28	65	107.00	42.0	48.0	78	20	31.6	25.0
		20									
500-22-22	1:1	22	30	65	117.10	46.0	52.0	85	24	33.5	28.0
		22									
500-26-26	1:1	26	35	75	137.10	50.0	56.2	96	25	34.5	32.5
		26									
500-30-30	1:1	30	38	80	157.10	57.0	63.1	109	28	37.5	38.0
		30									
500-16-20	1:1.25	16	28	64	87.80	39.8	44.7	75	19	28.1	22.5
		20	28	64	106.20	45.0	51.6	75	28	38.9	
500-16-24	1:1.5	16	28	60	88.30	39.8	44.8	82	18	24.8	25.5
		24	30	65	125.50	44.3	51.8	75	28	39.2	
500-15-30	1:2	15	25	60	83.90	46.2	49.8	97	18	24.2	29.5
		30	35	75	154.50	51.5	58.6	80	34	47.0	
500-16-40	1:2.5	16	30	65	89.30	57.6	60.5	124	21	25.9	38.0
		40	45	90	203.70	60.3	67.1	90	40	54.6	
500-15-45	1:3	15	30	60	84.50	63.6	67.2	150	35	39.1	30.0
		45	40	90	228.20	55.5	65.5	90	38	57.2	
500-16-56	1:3.5	16	35	65	89.60	76.7	79.7	185	43	46.4	35.0
		56	40	90	282.80	54.6	63.3	90	33	54.8	
500-15-60	1:4	15	30	60	84.70	71.9	74.7	185	33	36.2	40.0
		60	45	90	302.40	56.7	65.7	90	35	57.3	
500-16-72	1:4.5	16	35	65	89.80	78.9	81.9	222	40	43.1	40.0
		72	50	100	362.20	57.7	67.5	95	36	59.9	
500-15-75	1:5	15	30	58	84.80	72.0	74.7	222	33	35.5	40.0
		75	50	100	376.95	61.0	69.2	95	38	62.4	

KONISKA RAKSKURNA KUGGHJUL I STÅL

STEEL BEVEL GEARS, STRAIGHT CUT



Modul 6.0

Module 6.0

Best. Nr. Order No.	Utväxling Ratio	Tandantal No. of teeth	B	N	D	L	F	A	H	R	Z
600-16-16	1:1	16	25	89	104.46	44.0	50.70	80	24.0	36.24	22.5
600-19-19	1:1	19	28	85	122.46	48.0	54.20	90	25.0	37.24	26.0
600-20-20	1:1	22	30	95	140.46	51.0	58.00	100	26.0	38.24	30.0
600-26-26	1:1	26	35	105	164.46	58.0	65.60	116	30.0	42.24	35.0
600-30-30	1:1	30	40	120	188.46	66.0	73.20	132	32.0	46.24	40.0
600-16-24	1:1.5	16	25	80	105.86	50.0	55.9	102	24.7	33.33	28.5
	1:1.5	24	35	105	150.66	52.5	61.6	90	32.0	46.99	28.5
600-15-30	1:2	15	25	75	100.74	56.0	60.8	120	26.2	32.68	32.5
	1:2	30	40	120	185.34	54.0	63.2	90	33.0	50.37	32.5
600-16-40	1:2.5	16	25	80	107.16	62.0	65.5	150	26.8	32.32	36.5
	1:2.5	40	40	125	244.44	55.0	64.5	95	34.0	52.57	36.5
600-15-45	1:3	15	25	75	101.40	66.0	70.2	165	27.5	31.89	41.0
	1:3	45	45	140	273.78	60.0	70	98	35.0	58.69	41.0
600-15-60	1:4	15	25	75	101.64	71.0	74.7	210	28.1	31.45	45.0
	1:4	60	50	180	362.88	62.0	73.7	103	38.0	63.82	45.0

Modul 7.0

Module 7.0

Best. Nr. Order No.	Utväxling Ratio	Tandantal No. of teeth	B	N	D	L	F	A	H	R	Z
700-20-20	1:1	20	35	80	149.9	44.0	53.0	91.2	15.0	-	40.0
700-30-30	1:1	30	40	90	219.8	60.0	70.0	136.3	15.0	-	50.0
700-20-30	1:1.5	20	35	80	151.6	56.0	65.0	130.0	15.0	-	50.0
	1:1.5	30	40	120	217.8	60.0	69.0	108.0	20.0	-	50.0
700-20-40	1:2	20	35	80	152.5	60.0	69.0	162.1	15.0	-	50.0
	1:2	40	40	100	286.2	61.0	70.0	113.3	25.0	-	50.0

Modul 8.0

Module 8.0

Best. Nr. Order No.	Utväxling Ratio	Tandantal No. of teeth	B	N	D	L	F	A	H	R	Z
800-20-20	1:1	20	40	90	171.3	52.0	61.7	103.3	15.0	-	50.0
800-30-30	1:1	30	45	140	251.3	68.0	78.0	151.8	15.0	-	60.0
800-20-30	1:1.5	20	40	90	173.3	70.0	78.5	146.0	15.0	-	60.0
	1:1.5	30	45	130	248.9	64.0	73.0	116.0	20.0	-	60.0
200-20-40	1:2	20	40	90	174.3	70.0	80.0	183.1	15.0	-	60.0
	1:2	40	50	120	327.1	64.0	74.0	122.4	25.0	-	60.0

KONISKA RAKSKURNA KUGGHJUL I PLAST

PLASTIC BEVEL GEARS, STRAIGHT CUT

Modul 1.0 - 1.5

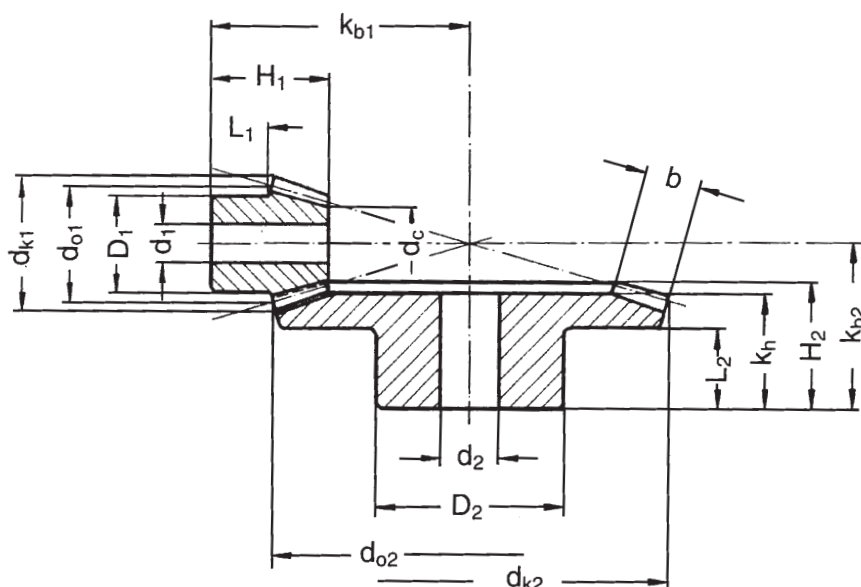
Module 1.0 - 1.5

Maskinbearbetad kugg

Machine-finished teeth

Material: Delrin

Material: Delrin



Modul 1

Best nr Code	i	Z1	Z2	do1	b	dk1	dk2	D1	D2	L1	L2	d1	d2	Kb1	Kb2	H1	H2	Kh
N-100-16-16	1.0	16	-	16.0	4.0	17.4	-	13.3	-	6.5	-	4	-	16	-	11.2	-	-
N-100-19-19	1.0	19	-	19.0	4.0	20.4	-	15.3	-	6.5	-	4	-	18	-	11.8	-	-
N-100-22-22	1.0	22	-	22.0	4.7	23.4	-	15.3	-	5.5	-	5	-	20	-	12.8	-	-
N-100-26-26	1.0	26	-	26.0	5.5	27.4	-	20.3	-	8.0	-	5	-	22	-	13.3	-	-
N-100-30-30	1.0	30	-	30.0	6.4	31.4	-	20.3	-	8.0	-	5	-	26	-	16.0	-	-
N-100-16-24	1.5	16	24	16.0	4.3	18.1	24.8	13.3	20.3	7.0	9.3	4	5	20	20	12.0	14.8	13.0
N-100-15-30	2.0	15	30	15.0	5.0	17.4	30.6	13.3	20.3	6.5	9.0	4	5	22	20	11.9	15.1	14.0
N-100-16-40	2.5	16	40	16.0	6.5	18.5	40.4	13.3	25.3	7.4	9.0	4	8	28	20	14.4	14.8	14.0
N-100-15-45	3.0	15	45	15.0	7.1	17.7	45.3	13.3	25.3	9.2	10.0	4	8	32	22	16.6	17.1	15.0
N-100-16-56	3.5	16	56	16.0	8.7	18.7	56.3	13.3	30.3	7.6	10.0	4	8	36	22	16.6	16.7	15.0
N-100-15-60	4.0	15	60	15.0	9.3	17.8	60.3	13.3	30.3	7.7	10.0	4	8	38	22	17.2	17.1	15.0
N-100-15-75	5.0	15	75	15.0	11.5	17.8	75.2	13.3	40.3	8.3	10.0	4	8	46	22	20.0	17.1	15.0

Modul 1.5

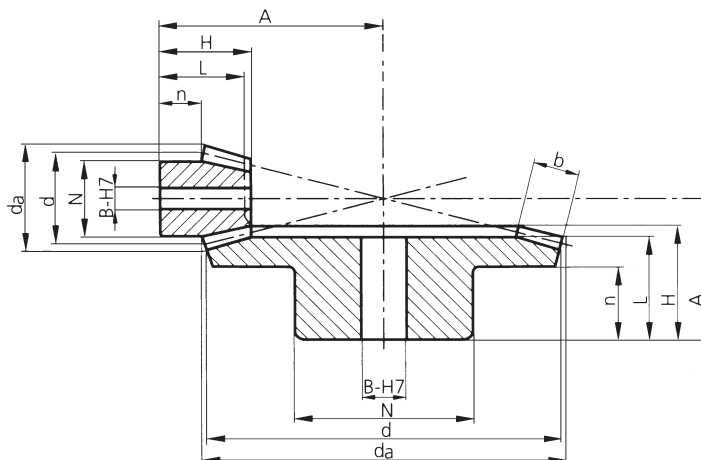
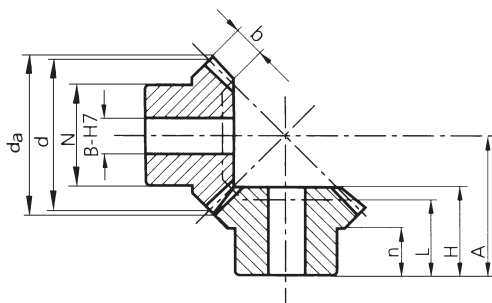
Best nr Code	i	Z1	Z2	do1	b	dk1	dk2	D1	D2	L1	L2	d1	d2	Kb1	Kb2	H1	H2	Kh
N-150-16-16	1.0	16	-	24.0	6.0	26.1	-	20.3	-	12.0	-	8	-	26	-	18.9	-	-
N-150-19-19	1.0	19	-	28.5	7.0	30.6	-	20.3	-	12.0	-	8	-	30	-	21.3	-	-
N-150-22-22	1.0	22	-	33.0	7.5	35.1	-	25.3	-	12.0	-	8	-	33	-	22.5	-	-
N-150-26-26	1.0	26	-	39.0	8.5	41.1	-	28.3	-	12.0	-	8	-	36	-	23.2	-	-
N-150-30-30	1.0	30	-	45.0	10.0	47.1	-	30.3	-	12.0	-	12	-	42	-	27.2	-	-
N-150-16-24	1.5	16	24	24.0	8.0	27.1	37.2	20.3	28.3	11.8	16.0	8	8	31	32	20.3	24.9	23.0
N-150-15-30	2.0	15	30	22.5	9.0	26.1	45.9	20.3	32.3	11.9	16.0	8	8	35	32	21.1	25.2	23.0
N-150-16-40	2.5	16	40	24.0	11.5	27.9	60.7	20.3	40.3	12.3	18.0	8	14	43	35	24.2	27.8	25.5
N-150-15-45	3.0	15	45	22.5	10.5	26.5	68.1	19.3	45.3	11.7	20.0	8	14	46	37	22.6	29.6	27.0
N-150-16-56	3.5	16	56	24.0	12.0	28.1	84.5	20.3	45.3	11.5	25.0	8	14	54	43	24.0	34.8	32.0
N-150-15-60	4.0	15	60	22.5	11.0	26.7	90.4	20.3	50.3	11.7	25.0	8	16	57	42	23.0	34.0	31.0
N-150-15-75	5.0	15	75	22.5	12.0	26.7	112.8	20.3	50.3	15.0	20.0	8	16	72	42	27.8	33.7	30.0

KONISKA RAKSKURNA KUGGHJUL I MÄSSING

BRASS BEVEL GEARS, STRAIGHT CUT

Utväxling 1:1 - Ratio 1:1

Utväxling 1:1.5 - 1:4 - Ratio 1:1.5 - 1:4



MODUL 0.5

Best. Nr. Code	Utväxling Ratio	Tandantal No. of teeth	d	da	N	n	L	H	A	b	B-H7
M-050-20-20	1:1	20	10.0	10.7	8.0	4.0	6.5	7.0	9.7	3	4
M-050-24-24	1:1	24	12.0	12.7	10.0	4.0	6.4	7.0	10.7	3	4
M-050-30-30	1:1	30	15.0	15.7	10.0	4.0	7.5	8.5	13.7	3	4
M-050-36-36	1:1	36	18.0	18.7	12.0	5.0	9.0	10.0	16.7	3	4
M-050-40-40	1:1	40	20.0	20.7	12.0	5.0	8.5	9.5	17.1	3	4
M-050-50-50	1:1	50	25.0	25.7	14.0	5.0	8.5	9.5	19.6	3	4
M-050-20-30	1:1.5	20	10.0	10.8	8.0	3.5	6.5	7.0	11.9	3	4
		30	15.0	15.5	10.0	4.0	6.0	7.0	10.1	3	4
M-050-20-40	1:2	20	10.0	10.9	8.0	3.4	6.3	6.75	13.9	3	4
		40	20.0	20.5	12.0	5.0	7.5	8.5	11.7	3	4
M-050-20-50	1:2.5	20	10.0	10.9	8.0	4.0	6.5	7.5	17.1	3	4
		50	25.0	25.4	14.0	5.0	7.0	8.0	11.5	3	4
M-050-15-45	1:3	15	7.5	8.4	6.0	3.7	6.5	7.0	15.3	3	3
		45	22.5	22.8	12.0	5.0	7.5	8.5	11.0	3	4

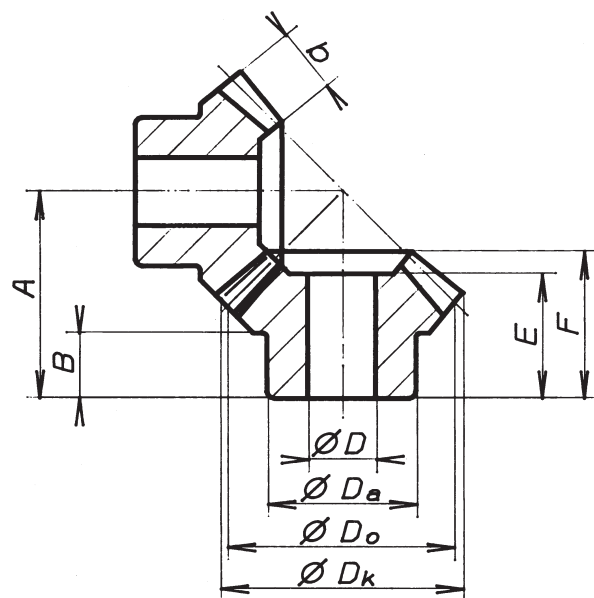
MODUL 1.0

Best. Nr. Code	Utväxling Ratio	Tandantal No. of teeth	d	da	N	n	L	H	A	b	B-H7
M-100-12-12	1:1	12	12.0	13.4	10.0	6.2	9.0	10.4	13.2	4	4
M-100-16-16	1:1	16	16.0	17.4	12.0	5.0	10.0	11.0	15.1	5	5
M-100-20-20	1:1	20	20.0	21.4	15.0	5.0	9.5	11.0	17.1	5	5
M-100-25-25	1:1	25	25.0	26.4	16.0	7.0	11.5	13.0	21.5	5	5
M-100-30-30	1:1	30	30.0	31.4	16.0	7.0	11.5	13.0	24.0	5	5
M-100-36-36	1:1	36	36.0	37.4	16.0	7.0	11.5	13.0	26.9	5	5
M-100-40-40	1:1	40	40.0	41.4	20.0	8.0	12.5	14.0	29.9	5	5
M-100-50-50	1:1	50	50.0	51.4	25.0	8.0	12.5	14.0	34.9	5	6
M-100-60-60	1:1	60	60.0	61.4	30.0	8.0	12.5	14.0	39.9	5	6
M-100-15-20	1:1.3	15	15.0	16.6	13.0	5.0	9.0	10.0	15.7	5	5
		20	20.0	21.2	15.0	5.0	8.5	10.0	14.0	5	5
M-100-20-30	1:1.5	20	20.0	21.6	15.0	5.0	9.5	11.0	21.5	5	5
		30	30.0	31.1	16.0	5.0	9.5	11.0	17.7	5	5
M-100-15-30	1:2	15	15.0	16.8	12.5	4.5	9.0	10.0	20.2	5	5
		30	30.0	30.9	16.0	5.0	9.5	11.0	15.7	5	5
M-100-20-40	1:2	20	20.0	21.8	15.0	5.0	9.5	11.0	26.2	5	5
		40	40.0	40.8	20.0	8.0	12.0	14.0	21.1	5	6
M-100-18-45	1:2.5	18	18.0	20.2	13.0	5.0	10.0	11.0	28.9	5	5
		45	45.0	45.6	22.0	8.0	13.0	15.0	21.4	5	6
M-100-15-45	1:3	15	15.0	16.9	13.0	5.0	10.0	11.0	28.5	5	5
		45	45.0	45.6	22.0	8.0	13.0	15.0	20.2	5	6
M-100-15-60	1:4	15	15.0	16.9	13.0	5.5	10.0	11.0	35.9	5	5
		60	60.0	60.5	30.0	8.0	13.0	15.0	20.5	5	6

KONISKA RAKSKURNA KUGGHJUL, FORMSPRUTADE

PLASTIC BEVEL GEARS, STRAIGHT CUT INJECTION MOULDED

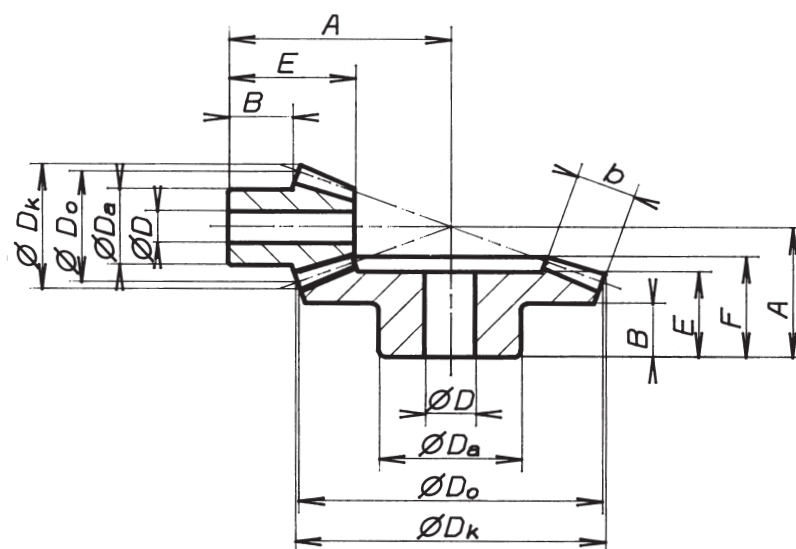
Material: Polyacetal
 Material: Polyacetal



Utväxling 1:1 - Ratio 1:1
 Ingreppsvinkel 20° - Pressure angle 20°

Best. Nr. Code	Modul Module	Tandantal No. of teeth	D	Da	Do	Dk	A	B	b	E	F
KH051616	0.5	16	3	7.0	8	8.7	10.5	6.0	2.0	8.0	8.0
KH101616	1.0	16	5	12.0	16	17.6	18.4	8.0	4.7	13.6	13.6
KH103030	1.0	30	6	15.0	30	31.4	24.8	7.4	7.4	12.9	15.3
KH151616	1.5	16	8	18.5	24	26.4	25.8	10.0	7.0	16.2	18.4
KH201616	2.0	16	10	21.9	32	34.9	30.4	9.6	10.0	18.3	21.2
KH251616	2.5	16	12	25.2	40	43.5	37.0	11.5	12.3	22.9	25.5
KH301616	3.0	16	14	28.8	48	52.3	43.0	13.2	13.8	25.8	29.2
KH351616	3.5	16	18	33.3	56	61.4	49.5	14.4	15.8	28.1	33.1

Från modul 1.5 är axelhålen maskinbearbetade / All prebored holes are machined



Utväxling 1:2 - Ratio 1:2
 Ingreppsvinkel 20° - Pressure angle 20°

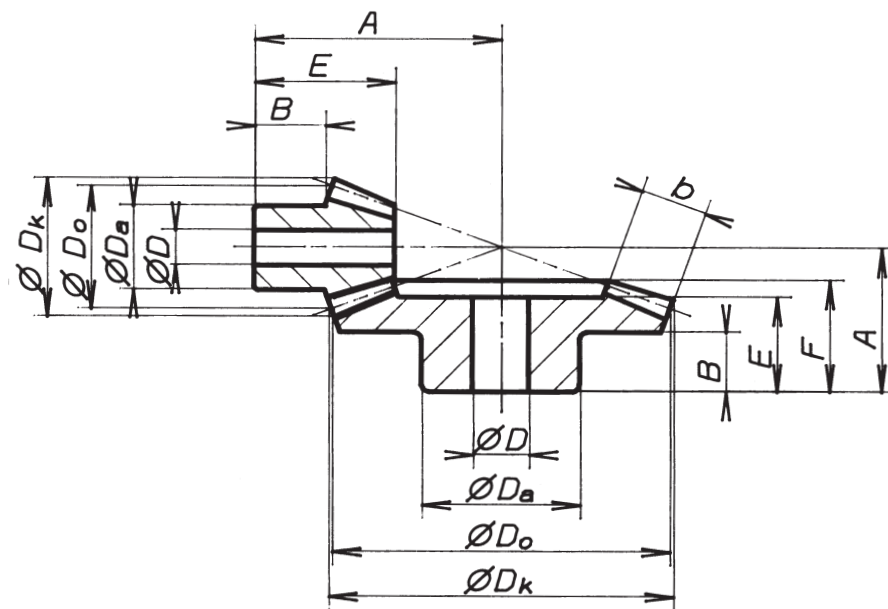
Best. Nr. Code	Modul Module	Tandantal No. of teeth	D	Da	Do	Dk	A	B	b	E	F
KH101530	1.0	15	5	12.2	15.0	16.8	26.4	10.6	6.6	17.0	17.0
	1.0	30	8	18.0	30.0	31.1	20.9	9.1	6.6	14.8	16.2
KH151530	1.5	15	8	17.0	22.5	25.4	35.8	11.5	10.5	22.8	22.8
	1.5	30	10	23.4	45.0	46.4	26.2	9.6	10.5	17.5	19.5
KH201530	2.0	15	10	22.5	30.0	33.6	44.2	11.8	14.6	26.0	27.0
	2.0	30	12	30.2	60.0	62.2	32.6	11.8	14.6	22.6	24.2
KH251530	2.5	15	12	26.5	37.5	42.0	53.3	13.0	17.3	29.6	31.2
	2.5	30	16	36.1	75.0	77.3	40.5	15.0	17.3	27.5	29.5
KH301530	3.0	15	14	31.2	45.0	50.3	63.3	14.8	20.5	35.0	36.3
	3.0	30	18	45.0	90.0	93.0	49.5	19.0	20.5	34.2	37.0

Alla axelhål är maskinbearbetade / All prebored holes are machined

KONISKA RAKSKURNA KUGGHJUL, FORMSPRUTADE

PLASTIC BEVEL GEARS, STRAIGHT CUT INJECTION MOULDED

Material: Polyacetal
Material: Polyacetal



Utväxling 1:3 - Ratio 1:3

Ingreppsvinkel 20° - Pressure angle 20°

Best. Nr. Code	Modul Module	Tandantal No. of teeth	D	Da	Do	Dk	A	B	b	E	F
KH101545	1.0	15	5	12.3	15.0	16.6	34.3	11.0	9.2	20.4	-
	1.0	45	10	23.4	45.0	46.1	22.7	9.6	9.2	16.5	18.2
KH151545	1.5	15	8	17.2	22.5	25.1	47.9	12.5	14.0	26.8	-
	1.5	45	12	30.4	67.5	68.8	29.4	11.5	14.0	21.5	23.0
KH201030	2.0	10	6	16.6	20.0	24.0	43.7	12.0	12.5	25.0	-
	2.0	30	12	30.3	60.0	61.7	28.0	11.5	12.5	20.2	22.5
KH251030	2.5	10	8	18.8	25.0	29.7	52.4	13.0	15.7	28.8	-
	2.5	30	18	36.1	75.0	77.2	35.7	15.5	15.7	25.2	29.0

Alla axelhål är maskinbearbetade / All prebored holes are machined

Utväxling 1:4 - Ratio 1:4

Ingreppsvinkel 20° - Pressure angle 20°

Best. Nr. Code	Modul Module	Tandantal No. of teeth	D	Da	Do	Dk	A	B	b	E	F
KH101040	1.0	10	4	7.8	10	12.0	30.1	9.3	8.2	17.7	-
	1.0	40	10	23.4	40	40.8	20.1	10.8	8.2	15.7	17.0
KH151040	1.5	10	5	11.3	15	18.0	41.7	10.9	12.3	23.5	-
	1.5	40	12	30.4	60	61.2	26.2	12.8	12.3	20.0	21.7
KH201040	2.0	10	6	14.3	20	23.8	54.0	12.8	16.3	28.9	-
	2.0	40	18	36.0	80	81.5	32.5	16.6	16.3	24.7	27.0

Alla axelhål är maskinbearbetade / All prebored holes are machined

Utväxling 1:5 - Ratio 1:5

Ingreppsvinkel 20° - Pressure angle 20°

Best. Nr. Code	Modul Module	Tandantal No. of teeth	D	Da	Do	Dk	A	B	b	E	F
KH101260	1.0	12	4	9.5	12	13.7	40.5	10.0	9.5	20.3	-
	1.0	60	10	20.5	60	60.4	21.0	11.0	9.5	15.5	17.4

Alla axelhål är maskinbearbetade / All prebored holes are machined

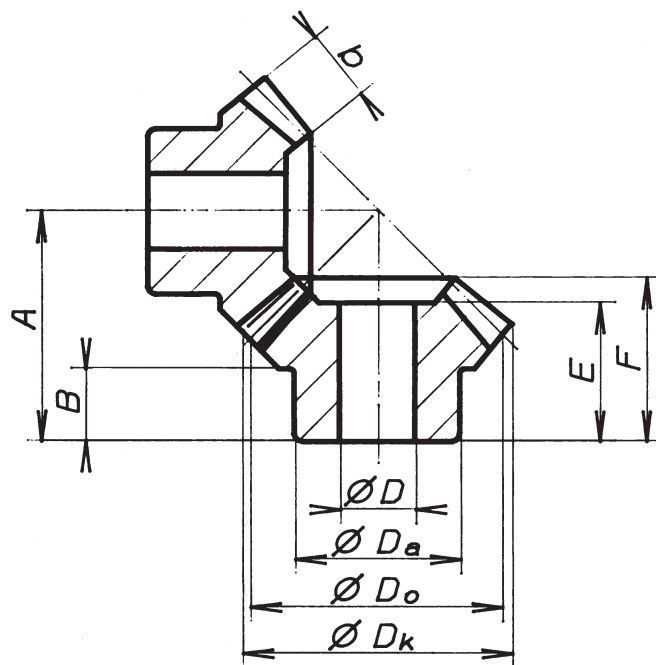
KONISKA RAKSKURNA KUGGHJUL I ZINKPRESSGODS

ZINK PRESS CASTING BEVEL GEARS, STRAIGHT CUT

Modul 1.0 - 3.5
Module 1.0 - 3.5

Material ZNA14CU1
Material ZNA14CU1

Max arbetstemperatur 100°
Max working temperature 100°



Best Nr. Code	Modul Module	Z	DH9	Da	Do	Dk	A	B	b	E	F	Vikt kg Weight kgs
KD 1016-1:1	1.0	16	6	12	16	17.3	17.7	7.5	4.5	13.1	13.1	0.008
KD 1516-1:1	1.5	16	8	19	24	26.0	25.7	10.8	6.7	17.0	18.6	0.027
KD 2016-1:1	2.0	16	10	23	32	34.6	30.0	10.0	9.6	19.2	21.3	0.051
KD 2516-1:1	2.5	16	12	26	40	43.3	36.0	12.0	12.3	22.9	25.5	0.087
KD 3016-1:1	3.0	16	14	30	48	52.3	42.5	13.0	14.0	26.0	29.3	0.145
KD 3516-1:1	3.5	16	16	34	56	61.5	49.4	14.0	15.5	29.1	33.2	0.227

Kuggghjul i Zinkpressgods har ca 3 ggr. högre hållfasthet jämfört med sprutade acetalhjul.
Bevel gears made of Zink Press Casting has got about 3 times higher strength than injection moulded Polyacetal Bevel Gears.

Effekttabell / Powertable

Best Nr. Code	Modul Module	Överförbart Vridmoment Transmissible Torque
KD 1016-1:1	1.0	9 Ncm
KD 1516-1:1	1.5	30 Ncm
KD 2016-1:1	2.0	74 Ncm
KD 2516-1:1	2.5	143 Ncm
KD 3016-1:1	3.0	242 Ncm
KD 3516-1:1	3.5	374 Ncm

Jämförelse av material / Comparing of materiale

Material Materiale	Draghållfasthet Tensile strength
Zinkpressgods / Zink Press Casting	27 kp/mm ²
Gjutjärn / Cast Iron	26 kp/mm ²
Acetal / Acetal	8 kp/mm ²
Stål / Steel	50 kp/mm ²

SPIRALSKURNA KONISKA KUGGHJUL

SPIRAL CUT BEVEL GEARS

Material: Gjutjärn / Material: Cast Iron
 Ingreppsvinkel 20° / Pressure angle 20°

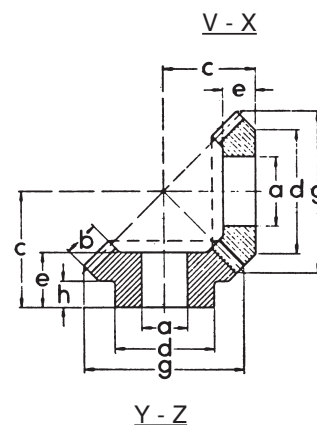
V Hjul med högerskurva kuggar / Gears right hand cut
 X Hjul med vänsterskurva kuggar / Gears left hand cut
 Y Hjul med högerskurva kuggar / Gears right hand cut
 Z Hjul med vänsterskurva kuggar / Gears left hand cut

Serie EP

Utväxling 1:1

Ratio 1:1

Normal mod.	Kuggantal	Typ	Deln. diam.							
Normal mod.	No. of teeth	Type	Pitch diam.	a	b	c	d	e	g	h
1.5	20	EP 25 VM	50	15	10	40.0	36	21	52.12	-
	20	EP 25 XM	50	15	10	40.0	36	21	52.12	-
	20	EP 25 YM	50	20	10	30.0	40	11	52.12	-
	20	EP 25 ZM	50	20	10	30.0	40	11	52.12	-
1.75	20	EP 30 VM	60	17	13	45.0	40	22	62.47	10
	20	EP 30 XM	60	17	13	45.0	40	22	62.47	10
	20	EP 30 YM	60	25	13	35.0	50	12	62.47	-
	20	EP 30 ZM	60	25	13	35.0	50	12	62.47	-
2.0	20	EP 35 VM	70	20	16	55.0	46	25	72.83	15
	20	EP 35 XM	70	20	16	55.0	46	28	72.83	15
	20	EP 35 YM	70	30	16	42.5	55	15	72.83	-
	20	EP 35 ZM	70	30	16	42.5	55	15	72.83	-
2.5	20	EP 40 VM	80	25	16	65.0	55	34	83.54	18
	20	EP 40 XM	80	25	16	65.0	55	34	83.54	18
	20	EP 40 YM	80	40	16	50.0	60	19	83.54	-
	20	EP 40 ZM	80	40	16	50.0	60	19	83.54	-
3.0	20	EP 50 VM	100	30	23	75.0	65	36	104.24	17
	20	EP 50 XM	100	30	23	75.0	65	36	104.24	17
	20	EP 50 YM	100	45	23	60.0	80	21	104.24	-
	20	EP 50 ZM	100	45	23	60.0	80	21	104.24	-
3.5	20	EP 60 VM	120	35	26	90.0	72	43	124.95	21
	20	EP 60 XM	120	35	26	90.0	72	43	124.95	21
	20	EP 60 YM	120	55	26	70.0	100	23	124.95	-
	20	EP 60 ZM	120	55	26	70.0	100	23	124.95	-
4.5	20	EP 70 VM	140	40	30	105.0	82	50	146.36	22
	20	EP 70 XM	140	40	30	105.0	82	50	146.36	22
	20	EP 70 YM	140	70	30	80.0	120	25	146.36	-
	20	EP 70 ZM	140	70	30	80.0	120	25	146.36	-

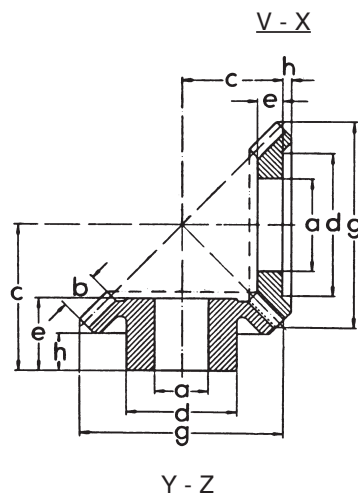


Serie ES

Utväxling 1:1

Ratio 1:1

Normal mod.	Kuggantal	Typ	Deln. diam.							
Normal mod.	No. of teeth	Type	Pitch diam.	a	b	c	d	e	g	h
2.0	25	ES 25 VM	80	20	16	60.0	46	30	82.82	15.0
	25	ES 25 XM	80	20	16	60.0	46	30	82.82	15.0
	25	ES 25 YM	80	35	16	42.5	58	12	82.82	2.5
	25	ES 25 ZM	80	35	16	42.5	58	12	82.82	2.5
2.5	25	ES 30 VM	96	25	19	70.0	55	34	99.54	16.0
	25	ES 30 XM	96	25	19	70.0	55	34	99.54	16.0
	25	ES 30 YM	96	40	19	50.0	70	13	99.54	4.0
	25	ES 30 ZM	96	40	19	50.0	70	13	99.54	4.0
3.0	25	ES 35 VM	112	30	22	80.0	65	38	116.24	18.0
	25	ES 35 XM	112	30	22	80.0	65	38	116.24	18.0
	25	ES 35 YM	112	50	22	57.5	75	15	116.24	4.5
	25	ES 35 ZM	112	50	22	57.5	75	15	116.24	4.5
3.5	25	ES 40 VM	128	35	25	95.0	72	47	132.94	24.0
	25	ES 40 XM	128	35	25	95.0	72	47	132.94	24.0
	25	ES 40 YM	128	60	25	65.0	92	16	132.94	6.0
	25	ES 40 ZM	128	60	25	65.0	92	16	132.94	6.0
4.0	25	ES 50 VM	160	40	32	110.0	82	51	165.66	22.0
	25	ES 50 XM	160	40	32	110.0	82	51	165.66	22.0
	25	ES 50 YM	160	80	32	80.0	115	19	165.66	8.0
	25	ES 50 ZM	160	80	32	80.0	115	19	165.66	8.0
5.0	25	ES 60 VM	192	45	39	130.0	90	60	199.08	24.0
	25	ES 60 XM	192	45	39	130.0	90	60	199.08	24.0
	25	ES 60 YM	192	95	39	95.0	135	23	199.08	11.0
	25	ES 60 ZM	192	95	39	95.0	135	23	199.08	11.0
6.0	25	ES 70 VM	224	50	46	150.0	100	66	232.48	25.0
	25	ES 70 XM	224	50	46	150.0	100	66	232.48	25.0
	25	ES 70 YM	224	100	46	110.0	150	25	232.48	15.0
	25	ES 70 ZM	224	100	46	110.0	150	25	232.48	15.0



SPIRALSKURNA KONISKA KUGGHJUL

SPIRAL CUT BEVEL GEARS

Material: Gjutjärn / Material: Cast Iron
 Ingrepvinkel 20° / Pressure angle 20°

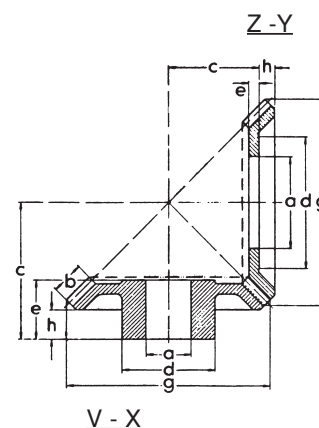
V Hjul med högerskurva kuggar / Gears right hand cut
 X Hjul med vänsterskurva kuggar / Gears left hand cut
 Y Hjul med högerskurva kuggar / Gears right hand cut
 Z Hjul med vänsterskurva kuggar / Gears left hand cut

Serie EU

Utväxling 1:1

Ratio 1:1

Normal mod.	Kuggantal	Typ	Deln. diam.								
Normal mod.	No. of teeth	Type	Pitch diam.	a	b	c	d	e	g	h	
2.5	36	EU 25 VM	125	30	20	85.0	65	36	128.54	17.5	
	36	EU 25 XM	125	30	20	85.0	65	36	128.54	17.5	
	36	EU 25 YM	125	55	20	57.5	80	6	128.54	10.0	
	36	EU 25 ZM	125	55	20	57.5	80	6	128.54	10.0	
3.0	36	EU 30 VM	150	35	25	100.0	72	42	154.24	20.5	
	36	EU 30 XM	150	35	24	100.0	72	42	154.24	20.5	
	36	EU 30 YM	150	65	24	67.5	100	7	154.24	12.0	
	36	EU 30 ZM	150	65	24	67.5	100	7	154.24	12.0	
3.5	36	EU 35 VM	175	40	28	120.0	82	52	179.95	26.0	
	36	EU 35 XM	175	40	28	120.0	82	52	179.95	26.0	
	36	EU 35 YM	175	80	28	80.0	115	9	179.95	14.0	
	36	EU 35 ZM	175	80	28	80.0	115	9	179.95	14.0	
4.0	36	EU 40 VM	200	45	34	135.0	90	58	205.66	28.0	
	36	EU 40 XM	200	45	34	135.0	90	58	205.66	28.0	
	36	EU 40 YM	200	90	34	90.0	130	10	205.66	17.0	
	36	EU 40 ZM	200	90	34	90.0	130	10	205.66	17.0	
5.0	36	EU 50 VM	250	50	42	165.0	100	68	257.08	30.0	
	36	EU 50 XM	250	50	42	165.0	100	68	257.08	30.0	
	36	EU 50 YM	250	110	42	110.0	155	11	257.08	25.0	
	36	EU 50 ZM	250	110	42	110.0	155	11	257.08	25.0	
6.0	36	EU 60 VM	300	55	48	195.0	110	75	308.48	32.0	
	36	EU 60 XM	300	55	48	195.0	110	75	308.48	32.0	
	36	EU 60 YM	300	130	48	135.0	185	14	308.48	28.0	
	36	EU 60 ZM	300	130	48	135.0	185	14	308.48	28.0	
7.0	36	EU 70 VM	350	60	56	220.0	140	85	359.90	33.0	
	36	EU 70 XM	350	60	56	220.0	140	85	359.90	33.0	
	36	EU 70 YM	350	150	56	165.0	230	20	359.90	22.0	
	36	EU 70 ZM	350	150	56	165.0	230	20	359.90	22.0	

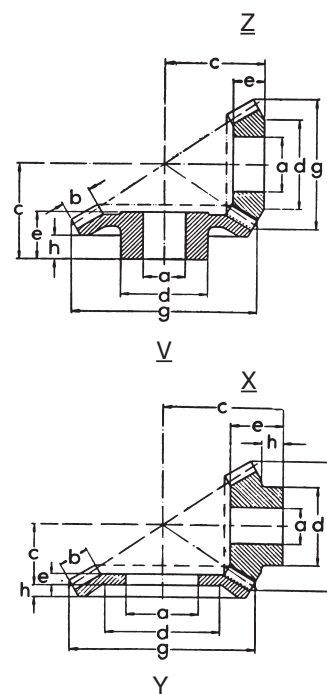


Serie GP

Utväxling 1:5:1

Ratio 1:5:1

Normal mod.	Kuggantal	Typ	Deln. diam.								
Normal mod.	No. of teeth	Type	Pitch diam.	a	b	c	d	e	g	h	
2.0	24	GP 25 VM	75	17	12.0	45.0	40	25	77.00	15.0	
	16	GP 25 XM	50	15	12.0	50.0	36	21	53.46	-	
	24	GP 25 YM	75	25	12.0	27.5	48	6	77.00	2.5	
	16	GP 25 ZM	50	20	12.0	42.5	33	14	53.46	-	
2.25	24	GP 30 VM	90	20	15.0	50.0	46	26	92.26	14.0	
	16	GP 30 XM	60	17	15.0	60.0	40	26	63.90	-	
	24	GP 30 YM	90	30	15.0	30.0	56	6	92.26	6.0	
	16	GP 30 ZM	60	25	15.0	50.0	43	16	63.90	-	
2.5	24	GP 35 VM	105	25	17.0	60.0	55	32	107.76	18.0	
	16	GP 35 XM	70	20	17.0	70.0	46	30	74.17	13.0	
	24	GP 35 YM	105	40	17.0	35.0	62	7	107.76	7.0	
	16	GP 35 ZM	70	30	17.0	57.5	53	18	74.17	-	
3.0	24	GP 40 VM	120	30	19.5	70.0	65	38	123.31	22.0	
	16	GP 40 XM	80	25	19.5	80.0	55	34	85.00	15.0	
	24	GP 40 YM	120	45	19.5	40.0	75	8	123.31	8.0	
	16	GP 40 ZM	80	35	19.5	65.0	63	19	85.00	-	
4.0	24	GP 50 VM	150	35	25.0	80.0	72	40	154.00	20.0	
	16	GP 50 XM	100	30	25.0	100.0	65	44	106.92	18.0	
	24	GP 50 YM	150	60	25.0	50.0	95	9	154.00	10.0	
	16	GP 50 ZM	100	45	25.0	82.5	74	26	106.92	-	
4.5	24	GP 60 VM	180	40	30.0	95.0	82	47	184.97	23.0	
	16	GP 60 XM	120	35	30.0	115.0	75	46	127.50	17.0	
	24	GP 60 YM	180	70	30.0	60.0	110	10	184.97	12.0	
	16	GP 60 ZM	120	50	30.0	100.0	85	31	127.50	-	
5.5	24	GP 70 VM	210	45	36.0	110.0	90	54	215.50	25.0	
	16	GP 70 XM	140	40	36.0	130.0	82	52	149.52	17.0	
	24	GP 70 YM	210	80	36.0	70.0	130	13	215.50	15.0	
	16	GP 70 ZM	140	60	36.0	115.0	105	37	149.52	-	



SPIRALSKURNA KONISKA KUGGHJUL

SPIRAL CUT BEVEL GEARS

Material: Gjutjärn / Material: Cast Iron
 Ingreppsvinkel 20° / Pressure angle 20°

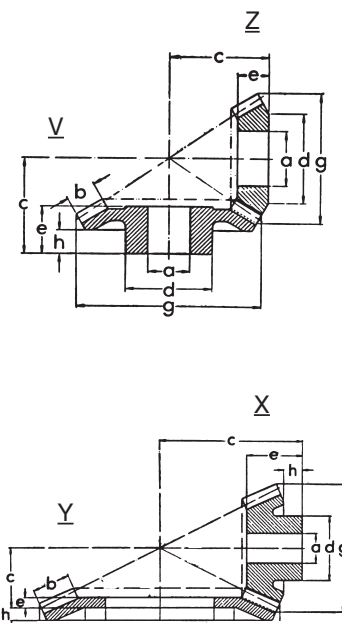
V Hjul med högerskurva kuggar / Gears right hand cut
 X Hjul med vänsterskurva kuggar / Gears left hand cut
 Y Hjul med högerskurva kuggar / Gears right hand cut
 Z Hjul med vänsterskurva kuggar / Gears left hand cut

Serie GS

Utväxling 1.5:1

Ratio 1.5:1

Normal mod.	Kuggantal	Typ	Deln. diam.							
Normal mod.	No. of teeth	Type	Pitch diam.	a	b	c	d	e	g	h
2.5	30	GS 25 VM	112.5	25	17	65.0	55	35	115.26	22.0
	20	GS 25 XM	75.0	20	17	75.0	46	30	79.17	15.0
	30	GS 25 YM	112.5	50	17	35.0	75	6	115.26	8.0
	20	GS 25 ZM	75.0	35	17	60.0	62	15	79.17	-
3.0	30	GS 30 VM	135.0	30	21	75.0	65	42	138.31	24.0
	20	GS 30 XM	90.0	25	21	90.0	55	37	95.00	18.0
	30	GS 30 YM	135.0	55	21	42.5	90	7	138.31	8.5
	20	GS 30 ZM	90.0	45	21	75.0	67	22	95.00	-
3.5	30	GS 35 VM	157.5	35	25	85.0	72	46	161.36	25.0
	20	GS 35 XM	105.0	30	25	105.0	65	45	110.84	21.0
	30	GS 35 YM	157.5	70	25	50.0	105	8	161.36	10.0
	20	GS 35 ZM	105.0	55	25	85.0	86	25	110.84	-
4.0	30	GS 40 VM	180.0	40	28	100.0	82	52	184.42	32.0
	20	GS 40 XM	120.0	35	28	115.0	72	45	126.67	20.0
	30	GS 40 YM	180.0	85	28	55.0	120	8	184.42	13.0
	20	GS 40 ZM	120.0	65	28	95.0	104	25	126.67	-
5.0	30	GS 50 VM	225.0	45	36	115.0	90	56	230.00	29.0
	20	GS 50 XM	150.0	40	36	140.0	82	58	158.66	20.0
	30	GS 50 YM	225.0	110	36	70.0	146	9	230.00	16.0
	20	GS 50 ZM	150.0	80	36	120.0	124	35	158.66	-
6.0	30	GS 60 VM	270.0	50	44	135.0	100	63	276.00	30.0
	20	GS 60 XM	180.0	45	44	165.0	90	65	190.40	22.0
	30	GS 60 YM	270.0	130	44	85.0	175	11	276.00	20.0
	20	GS 60 ZM	180.0	100	40	145.0	145	43	190.40	-
7.0	30	GS 70 VM	315.0	55	52	155.0	110	71	322.00	33.0
	20	GS 70 XM	210.0	50	52	190.0	100	70	222.12	23.0
	30	GS 70 YM	315.0	150	52	100.0	208	14	322.00	22.0
	20	GS 70 ZM	210.0	110	52	165.0	184	49	222.12	-

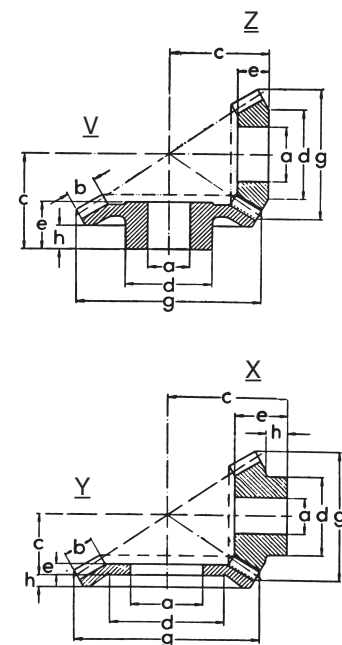


Serie HP

Utväxling 2:1

Ratio 2:1

Normal mod.	Kuggantal	Typ	Deln. diam.							
Normal mod.	No. of teeth	Type	Pitch diam.	a	b	c	d	e	g	h
1.75	26	HP 25 VM	80	17	14	40.0	40	25	81.53	14
	13	HP 25 XM	40	12	14	55.0	32	26	43.15	-
	26	HP 25 YM	80	25	14	22.5	50	6	81.53	3
	13	HP 25 ZM	40	15	14	42.5	30	14	43.15	-
2.25	26	HP 30 VM	96	20	15	50.0	46	32	97.97	20
	13	HP 30 XM	48	15	15	65.0	36	30	52.04	-
	26	HP 30 YM	96	35	15	25.0	62	6	97.97	5
	13	HP 30 ZM	48	17	15	52.5	30	18	52.04	-
2.5	26	HP 35 VM	112	25	20	55.0	55	34	114.19	21
	13	HP 35 XM	56	17	20	75.0	40	34	60.49	-
	26	HP 35 YM	112	45	20	30.0	75	7	114.19	5
	13	HP 35 ZM	56	20	20	60.0	40	20	60.49	-
3.0	26	HP 40 VM	128	25	22	60.0	55	35	130.63	19
	13	HP 40 XM	64	20	22	85.0	46	38	69.39	-
	26	HP 40 YM	128	50	22	35.0	88	8	130.63	6
	13	HP 40 ZM	64	25	22	70.0	39	23	69.39	-
4.0	26	HP 50 VM	160	30	26	75.0	65	44	163.51	24
	13	HP 50 XM	80	25	26	100.0	55	42	87.19	-
	26	HP 50 YM	160	60	26	42.5	100	8	163.51	9
	13	HP 50 ZM	80	30	26	85.0	60	26	87.19	-
4.5	26	HP 60 VM	192	40	34	85.0	82	48	195.95	23
	13	HP 60 XM	96	30	34	120.0	65	50	104.09	-
	26	HP 60 YM	192	75	34	50.0	120	9	195.95	11
	13	HP 60 ZM	96	40	34	102.5	69	34	104.09	-
5.5	26	HP 70 VM	224	45	38	100.0	90	55	228.82	28
	13	HP 70 XM	112	35	38	135.0	72	55	121.89	16
	26	HP 70 YM	224	85	38	60.0	140	14	228.82	12
	13	HP 70 ZM	112	45	38	120.0	79	40	121.89	-



SPIRALSKURNA KONISKA KUGGHJUL

SPIRAL CUT BEVEL GEARS

- V Hjul med högerskurva kuggar / Gears right hand cut
 X Hjul med vänsterskurva kuggar / Gears left hand cut
 Y Hjul med högerskurva kuggar / Gears right hand cut
 Z Hjul med vänsterskurva kuggar / Gears left hand cut

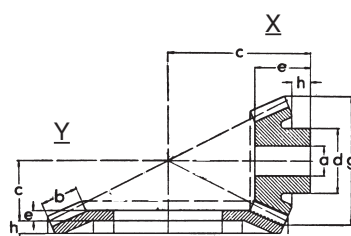
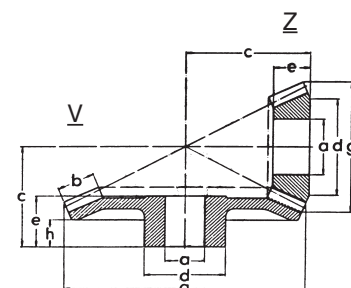
Serie HS

Utväxling 2:1 / Ratio 2:1

Material: Gjutjärn / Material: Cast Iron

Ingreppsvinkel 20° / Pressure angle 20°

Normal mod.	Kuggantal	Typ	Deln. diam.							
Normal mod.	No. of teeth	Type	Pitch diam.	a	b	c	d	e	g	h
2.5	30	HS 25 VM	120	25	20	55.0	55	32	122.19	20.0
	15	HS 25 XM	60	17	20	75.0	40	31	64.49	-
	30	HS 25 YM	120	50	20	30.0	80	6	122.19	5.0
	15	HS 25 ZM	60	25	20	65.0	40	21	64.49	-
3.0	30	HS 30 VM	144	30	24	65.0	65	36	146.40	21.0
	15	HS 30 XM	72	20	24	90.0	46	38	77.50	15.0
	30	HS 30 YM	144	60	24	35.0	86	7	146.40	8.0
	15	HS 30 ZM	72	30	24	75.0	58	23	77.50	-
3.5	30	HS 35 VM	168	30	28	75.0	65	42	171.07	25.5
	15	HS 35 XM	84	25	28	105.0	55	44	90.29	17.0
	30	HS 35 YM	168	75	28	42.5	115	8	171.07	7.0
	15	HS 35 ZM	84	35	28	90.0	59	30	90.29	-
4.0	30	HS 40 VM	192	35	32	80.0	72	45	195.51	23.0
	15	HS 40 XM	96	25	32	120.0	55	50	103.19	19.0
	30	HS 40 YM	192	90	32	47.5	133	8	195.51	9.5
	15	HS 40 ZM	96	40	32	100.0	80	30	103.19	-
5.0	30	HS 50 VM	240	40	38	100.0	82	51	243.98	27.0
	15	HS 50 XM	120	30	38	145.0	65	57	129.18	19.0
	30	HS 50 YM	240	110	38	60.0	156	10	243.98	13.0
	15	HS 50 ZM	120	55	38	125.0	97	37	129.18	-
6.0	30	HS 60 VM	288	45	46	115.0	90	56	292.78	27.0
	15	HS 60 XM	144	35	46	170.0	72	64	155.00	19.0
	30	HS 60 YM	288	130	46	70.0	180	11	292.78	18.0
	15	HS 60 ZM	144	70	46	150.0	116	44	155.00	-
7.0	30	HS 70 VM	336	50	54	135.0	100	66	341.58	31.0
	15	HS 70 XM	168	40	54	195.0	82	72	180.84	19.0
	30	HS 70 YM	336	150	54	85.0	210	15	341.58	19.0
	15	HS 70 ZM	168	80	54	175.0	136	53	180.84	-



Serie JP

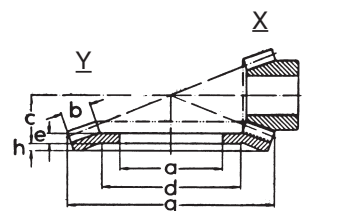
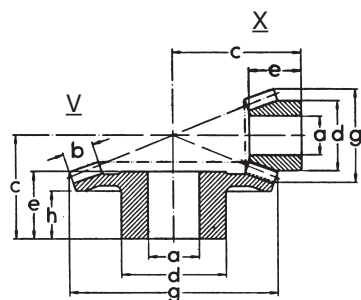
Utväxling 2,5:1 / Ratio 2,5:1

Material: X tillverkat i stål, V-Y i gjutjärn

Material: X made in steel, V-Y in Cast Iron

Ingreppsvinkel 20° / Pressure angle 20°

Normal mod.	Kuggantal	Typ	Deln. diam.							
Normal mod.	No. of teeth	Type	Pitch diam.	a	b	c	d	e	g	h
2.5	25	JP 25 VM	100	25	15	50.0	55	33	101.50	22.0
	10	JP 25 XM	40	17	15	60.0	34	23	45.11	-
	25	JP 25 YM	100	40	15	25.0	65	7	101.50	3.0
3.0	25	JP 30 VM	120	30	18	60.0	65	40	121.82	28.0
	10	JP 30 XM	48	20	18	75.0	40	31	54.06	-
	25	JP 30 YM	120	50	18	27.5	75	7	121.82	4.5
3.5	25	JP 35 VM	140	35	21	70.0	72	46	142.14	32.0
	10	JP 35 XM	56	25	21	85.0	45	34	63.00	-
	25	JP 35 YM	140	65	21	32.5	92	8	142.14	5.5
4.0	25	JP 40 VM	160	40	24	80.0	82	52	162.48	37.0
	10	JP 40 XM	64	30	24	100.0	54	41	71.94	-
	25	JP 40 YM	160	80	24	37.5	108	8	162.48	5.5
5.0	25	JP 50 VM	200	45	30	90.0	90	55	203.06	3.5
	10	JP 50 XM	80	35	30	120.0	62	46	90.02	-
	25	JP 50 YM	200	90	30	45.0	130	9	203.06	10.0
6.0	25	JP 60 VM	240	50	36	110.0	100	68	243.72	45.0
	10	JP 60 XM	96	40	36	145.0	80	56	107.92	-
	25	JP 60 YM	240	125	36	55.0	165	11	243.72	10.0
7.0	25	JP 70 VM	280	50	42	120.0	100	70	284.30	45.0
	10	JP 70 XM	112	40	42	165.0	82	62	125.99	-
	25	JP 70 YM	280	135	42	65.0	190	14	284.30	10.0



SPIRALSKURNA KONISKA KUGGHJUL

SPIRAL CUT BEVEL GEARS

Material: X tillverkat i stål, V-Y i gjutjärn
 Material: X made in steel, V-Y in Cast Iron
 Ingreppsvinkel 20° / Pressure angle 20°

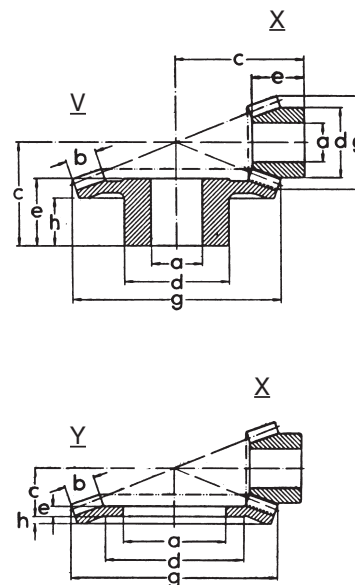
V Hjul med högerskurva kuggar / Gears right hand cut
 X Hjul med vänsterskurva kuggar / Gears left hand cut
 Y Hjul med högerskurva kuggar / Gears right hand cut
 Z Hjul med vänsterskurva kuggar / Gears left hand cut

Serie KP

Utväxling 3:1

Ratio 3:1

Normal mod.	Kuggantal	Typ	Deln. diam.							
Normal mod.	No. of teeth	Type	Pitch diam.	a	b	c	d	e	g	h
2.5	30	KP 25 VM	112.5	25	15	50.0	55	34	113.76	24.0
	10	KP 25 XM	37.5	15	15	60.0	28	17	42.70	-
	30	KP 25 YM	112.5	45	15	22.5	70	6	113.76	3.5
3.0	30	KP 30 VM	135.0	30	18	60.0	65	41	136.54	29.0
	10	KP 30 XM	45.0	17	18	75.0	36	23	51.16	-
	30	KP 30 YM	135.0	55	18	27.5	90	7	136.54	3.5
3.5	30	KP 35 VM	157.5	35	22	65.0	72	42	159.32	29.0
	10	KP 35 XM	52.5	20	22	90.0	40	31	59.62	-
	30	KP 35 YM	157.5	70	22	30.0	100	7	159.32	6.0
4.0	30	KP 40 VM	180.0	40	26	80.0	82	55	182.04	39.0
	10	KP 40 XM	60.0	25	26	100.0	45	34	68.27	-
	30	KP 40 YM	180.0	85	26	35.0	120	8	182.04	6.0
5.0	30	KP 50 VM	225.0	45	31	90.0	90	57	227.60	37.0
	10	KP 50 XM	75.0	30	31	125.0	60	40	85.18	-
	30	KP 50 YM	225.0	110	31	45.0	148	10	227.60	8.0
6.0	30	KP 60 VM	270.0	50	40	110.0	100	71	273.08	47.0
	10	KP 60 XM	90.0	35	40	150.0	72	51	102.30	-
	30	KP 60 YM	270.0	135	40	52.5	180	11	273.08	10.5
7.0	30	KP 70 VM 1)	315.0	55	46	120.0	110	73	318.64	48.0
	10	KP 70 XM	105.0	40	46	180.0	82	64	119.22	-
	30	KP 70 YM	315.0	150	46	60.0	202	14	318.64	12.0



1) Försett med fjädrar / With springs

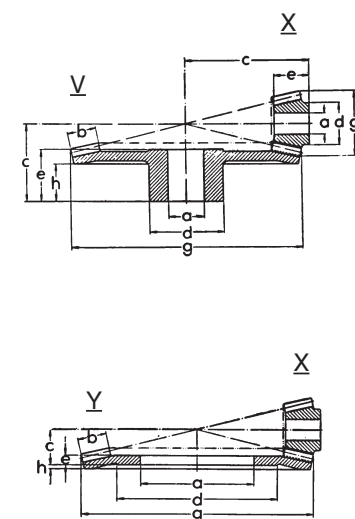
2) Anger hur många mm kuggkransen ligger ovanför flänsens undersida /
 Refer to the gap in mm from underneath to the gearing.

Serie LP

Utväxling 4:1

Ratio 4:1

Normal mod.	Kuggantal	Typ	Deln. diam.							
Normal mod.	No. of teeth	Type	Pitch diam.	a	b	c	d	e	g	h
2.5	44	LP 25 VM	160	25	20	55	55	38	161.00	27
	11	LP 25 XM	40	15	20	87.5	30	27	45.08	-
	44	LP 25 YM	160	80	20	25	110	7	161.00	3
3.0	44	LP 30 VM	192	30	25	65	65	45	193.16	32
	11	LP 30 XM	48	17	25	105	38	32	54.26	-
	44	LP 30 YM	192	95	25	30	135	8	193.16	3
3.5	44	LP 35 VM	224	35	28	75	72	50	225.38	36
	11	LP 35 XM	56	20	28	120	40	34	63.24	-
	44	LP 35 YM	224	110	28	35	155	9	225.38	4
4.0	44	LP 40 VM	256	40	32	85	82	57	257.54	41
	11	LP 40 XM	64	25	32	135	50	37	72.42	-
	44	LP 40 YM	265	125	32	40	180	10	257.54	4
5.0	44	LP 50 VM 1)	320	50	40	105	100	70	321.96	50
	11	LP 50 XM	80	30	40	170	65	48	90.36	-
	44	LP 50 YM	320	140	40	60	200	14	321.96	5 2)
6.0	44	LP 60 VM 1)	384	55	46	115	110	72	386.33	49
	11	LP 60 XM	96	35	46	200	72	51	108.52	-
	44	LP 60 YM	384	160	46	75	220	16	386.33	9 2)
7.0	44	LP 70 VM 1)	448	60	57	130	140	85	450.74	51
	11	LP 70 XM	112	40	57	250	90	80	126.48	-
	44	LP 70 YM	448	170	57	90	250	20	450.74	11 2)



1) Försett med fjädrar / With springs

2) Anger hur många mm kuggkransen ligger ovanför flänsens undersida /
 Refer to the gap in mm from underneath to the gearing.

SPIRALSKURNA KONISKA KUGGHJUL

SPIRAL CUT BEVEL GEARS

Material: I lilla hjulet stål, i stora hjulet gjutjärn
 Ingreppsvinkel 20° / Pressure angle 20°

V Hjul med högerskurva kuggar / Gears right hand cut
 X Hjul med vänsterskurva kuggar / Gears left hand cut
 Y Hjul med högerskurva kuggar / Gears right hand cut
 Z Hjul med vänsterskurva kuggar / Gears left hand cut

Serie MP

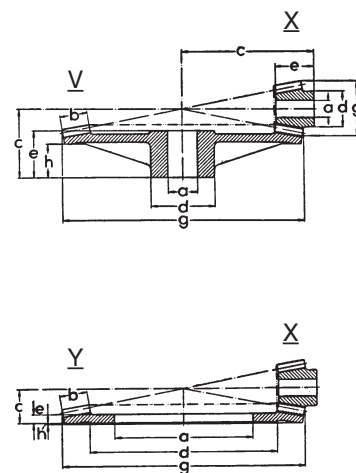
Utväxling 5:1

Ratio 5:1

Normal mod.	Kuggantal	Typ	Deln. diam.								
Normal mod.	No. of teeth	Type	Pitch diam.	a	b	c	d	e	g	h	
2.5	50 ¹⁾	MP 25 VM	175	20	20	50.0	46	34	175.76	25	
	10	MP 25 XM	35	12	20	97.5	28	29	40.32	-	
	50	MP 25 YM	175	95	20	25.0	135	7	175.76	-	
3.0	50 ¹⁾	MP 30 VM	210	25	24	60.0	55	40	210.92	30	
	10	MP 30 XM	42	15	24	115.0	32	33	48.32	-	
	50	MP 30 YM	210	120	24	30.0	165	8	210.92	-	
3.5	50 ¹⁾	MP 35 VM	245	30	28	70.0	65	47	246.06	34	
	10	MP 35 XM	49	17	28	135.0	36	39	56.5	-	
	50	MP 35 YM	245	140	28	35.0	190	9	246.06	1	
4.0	50 ¹⁾	MP 40 VM	280	35	32	80.0	72	54	281.22	39	
	10	MP 40 XM	56	20	32	155.0	45	46	64.48	-	
	50	MP 40 YM	280	160	32	40.0	220	10	281.22	1	
5.0	50 ¹⁾	MP 50 VM	350	45	40	100.0	90	68	351.52	49	
	10	MP 50 XM	70	25	40	195.0	54	58	80.66	-	
	50	MP 50 YM	350	170	40	60.0	230	14	351.52	9 ²⁾	
6.0	50 ¹⁾	MP 60 VM	420	50	48	120.0	100	80	421.82	59	
	10	MP 60 XM	84	30	48	235.0	62	71	96.82	-	
	50	MP 60 YM	420	180	48	75.0	250	16	421.82	14 ²⁾	

1) Försett med fjädrar / With springs

2) Anger hur många mm kuggkransen ligger ovanför flänsens undersida /
 Refer to the gap in mm from underneath to the gear ring.



SPIRALSKURNA KONISKA KUGGHJUL, NITRERADE

SPIRAL CUT BEVEL GEARS, NITRATED

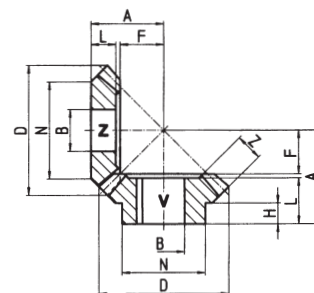
Material: GGG 60 Nitrat / Material: GGG 60 Nitrat
 Ingreppsvinkel 20° / Pressure angle 20°

Serie EP-H

Utväxling 1:1

Ratio 1:1

Normal mod. Normale mod.	Kuggantal No. of teeth	Typ Type	B JS7	N	D	H	L	F	A	Z
1.25	20	EP 20 VH	15	28	41.7	6.5	14.5	14.5	30.0	8
	20	EP 20 XH	15	28	41.7	6.5	14.5	14.5	30.0	8
	20	EP 20 YH	15	32	41.7	-	8.5	14.5	24.0	8
	20	EP 20 ZH	15	32	41.7	-	8.5	14.5	24.0	8
1.5	20	EP 25 VH	17	36	52.1	10.0	21.0	18.0	40.0	10
	20	EP 25 XH	17	36	52.1	10.0	21.0	18.0	40.0	10
	20	EP 25 YH	20	40	52.1	-	11.0	18.0	30.0	10
	20	EP 25 ZH	20	40	52.1	-	11.0	18.0	30.0	10
1.75	20	EP 30 VH	20	40	62.4	10.0	22.0	21.0	45.0	13
	20	EP 30 XH	20	40	62.4	10.0	22.0	21.0	45.0	13
	20	EP 30 ZH	25	50	62.4	-	12.0	21.0	35.0	13
2.0	20	EP 35 VH	25	46	72.8	15.0	28.0	24.0	55.0	16
	20	EP 35 XH	25	46	72.8	15.0	28.0	24.0	55.0	16
	20	EP 35 YH	30	55	72.8	-	15.0	24.0	42.5	16
	20	EP 35 ZH	30	55	72.8	-	15.0	24.0	42.5	16
2.5	20	EP 40 VH	30	55	83.5	18.0	34.0	28.5	65.0	16
	20	EP 40 XH	30	55	83.5	18.0	34.0	28.5	65.0	16
	20	EP 40 YH	40	60	83.5	-	19.0	28.5	50.0	16
	20	EP 40 ZH	40	60	83.5	-	19.0	28.5	50.0	16
3.0	20	EP 50 VH	35	65	104.2	17.0	36.0	33.0	75.0	23
	20	EP 50 XH	35	65	104.2	17.0	36.0	33.0	75.0	23
	20	EP 50 YH	45	80	104.2	-	21.0	33.0	60.0	23
	20	EP 50 ZH	45	80	104.2	-	21.0	33.0	60.0	23



Toleransen på kilspåret motsvarar ISO/R773-1969

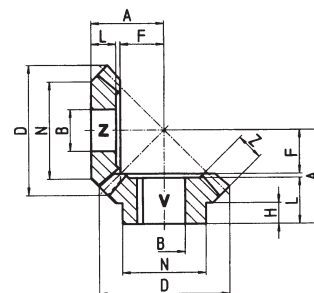
The tolerance of the key-ways correspond to ISO/R773-1969

Serie ES-H

Utväxling 1:1

Ratio 1:1

Normal mod. Normale mod.	Kuggantal No. of teeth	Typ Type	B JS7	N	D	H	L	F	A	Z
2.0	25	ES 25 VH	25	46	82.8	15	29	28.5	60	16
	25	ES 25 XH	25	46	82.8	15	29	28.5	60	16
	25	ES 25 YH	35	70	82.8	-	13	28.5	45	16
	25	ES 25 ZH	35	70	82.8	-	13	28.5	45	16
2.5	25	ES 30 VH	30	55	99.5	16	32	34.0	70	19
	25	ES 30 XH	30	55	99.5	16	32	34.0	70	19
	25	ES 30 YH	40	84	99.5	-	15	34.0	54	19
	25	ES 30 ZH	40	84	99.5	-	15	34.0	54	19
3.0	25	ES 35 VH	35	65	116.2	18	36	39.5	80	22
	25	ES 35 XH	35	65	116.2	18	36	39.5	80	22
	25	ES 35 YH	50	100	116.2	-	17	39.5	62	22
	25	ES 35 ZH	50	100	116.2	-	17	39.5	62	22
3.5	25	ES 40 VH	40	72	132.9	24	45	45.5	95	25
	25	ES 40 XH	40	72	132.9	24	45	45.5	95	25
	25	ES 40 YH	60	114	132.9	-	19	45.5	71	25
	25	ES 40 ZH	60	114	132.9	-	19	45.5	71	25
4.0	25	ES 50 VH	45	82	165.6	22	48	56.0	110	32
	25	ES 50 XH	45	82	165.6	22	48	56.0	110	32
	25	ES 50 YH	80	144	165.6	-	23	56.0	88	32
	25	ES 50 ZH	80	144	165.6	-	23	56.0	88	32



Toleransen på kilspåret motsvarar ISO/R773-1969

The tolerance of the key-ways correspond to ISO/R773-1969

SPIRALSKURNA KONISKA KUGGHJUL, NITRERADE

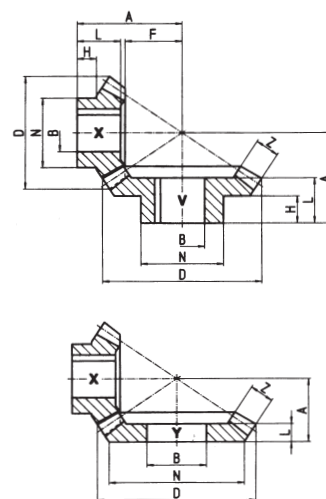
SPIRAL CUT BEVEL GEARS, NITRATED

Material: GGG 60 Nitrat / Material: GGG 60 Nitrated
 Ingreppsvinkel 20° / Pressure angle 20°

Serie GP-H

Utväxling 1:1,5
 Ratio 1:1,5

Normal mod. Normale mod.	Kuggantal No. of teeth	Typ Type	B JS7	N	D	H	L	F	A	Z
2.0	24	GP 25 VH	20	40	77.0	15	23	-	45	12.0
	16	GP 25 XH	17	36	53.4	10	20	27.5	50	12.0
	24	GP 25 YH	25	69	77.0	-	8	-	30	12.0
2.25	24	GP 30 VH	25	46	92.2	14	24	-	50	15.0
	16	GP 30 XH	20	40	63.9	12	25	32.5	60	15.0
	24	GP 30 YH	30	83	92.2	-	10	-	36	15.0
2.75	24	GP 35 VH	30	55	107.7	18	30	-	60	17.0
	16	GP 35 XH	25	46	74.7	13	29	38.0	70	17.0
	24	GP 35 YH	40	97	107.7	-	11	-	42	17.0
3.25	24	GP 40 VH	35	65	123.2	22	36	-	70	19.5
	16	GP 40 XH	30	55	85.6	15	33	43.0	80	19.5
	24	GP 40 YH	45	111	123.2	-	13	-	48	19.5
4.00	24	GP 50 VH	40	72	154.0	20	38	-	80	25.0
	16	GP 50 XH	35	65	106.9	18	42	53.0	100	25.0
	24	GP 50 YH	60	138	154.0	-	15	-	60	25.0

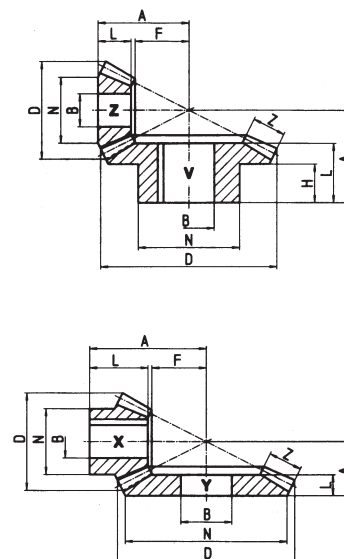


Toleransen på kilspåret motsvarar ISO/R773-1969
 The tolerance of the key-ways correspond to ISO/R773-1969

Serie HP-H

Utväxling 1:2
 Ratio 1:2

Normal mod. Normale mod.	Kuggantal No. of teeth	Typ Type	B JS7	N	D	H	L	F	A	Z
1.75	26	HP 25 VH	20	40	81.5	14	23	-	40.0	14
	13	HP 25 XH	15	32	43.1	-	26	28.0	55.0	14
	26	HP 25 YH	25	74	81.5	-	8	-	25.5	14
	13	HP 25 ZH	15	30	43.1	-	14	-	42.5	14
2.25	26	HP 30 VH	25	46	97.9	20	28	-	50.0	15
	13	HP 30 XH	17	36	52.0	-	28	34.5	65.0	15
	26	HP 30 YH	35	90	97.9	-	10	-	30.0	15
	13	HP 30 ZH	17	30	52.0	-	18	-	52.5	15
2.50	26	HP 35 VH	30	55	114.1	21	31	-	55.0	20
	13	HP 35 XH	20	40	60.4	-	35	38.5	75.0	20
	26	HP 35 YH	45	105	114.1	-	11	-	35.0	20
	13	HP 35 ZH	20	40	60.4	-	20	-	60.0	20
3.00	26	HP 40 VH	30	55	130.6	19	32	-	60.0	22
	13	HP 40 XH	25	46	69.3	-	38	44.5	85.0	22
	26	HP 40 YH	50	119	130.6	-	13	-	41.0	22
	13	HP 40 ZH	25	39	69.3	-	23	-	70.0	22
4.00	26	HP 50 VH	35	65	163.5	24	40	-	75.0	26
	13	HP 50 XH	30	55	87.1	-	40	56.5	100.0	26
	26	HP 50 YH	60	149	163.5	-	15	-	51.5	26
	13	HP 40 ZH	30	60	87.1	-	26	-	85.0	26



Toleransen på kilspåret motsvarar ISO/R773-1969
 The tolerance of the key-ways correspond to ISO/R773-1969

SPIRALSKURNA KONISKA KUGGHJUL, NITRERADE

SPIRAL CUT BEVEL GEARS, NITRATED

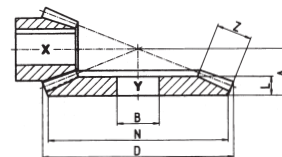
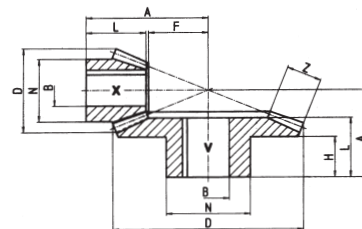
Material: GGG 60 Nitrerat / Material: GGG 60 Nitratred
 Ingreppsvinkel 20° / Pressure angle 20°

Serie JP-H

Utväxling 1:2,5

Ratio 1:2,5

Normal mod. Normale mod.	Kuggantal No. of teeth	Typ Type	B JS7	N	D	H	L	F	A	Z
2.5	25	JP 25 VH	30	55	101.5	22	31	-	50	15
	10	JP 25 XH	17	34	45.1	-	23	36.5	60	15
	25	JP 25 YH	40	94	101.5	-	9	-	28	15
3.0	25	JP 30 VH	35	65	121.8	28	37	-	60	18
	10	JP 30 XH	20	40	54.0	-	31	43.5	75	18
	25	JP 30 YH	50	114	121.8	-	9	-	32	18
3.5	25	JP 35 VH	40	72	142.2	32	43	-	70	21
	10	JP 35 XH	25	45	63.0	-	34	50.5	85	21
	25	JP 35 YH	65	133	142.1	-	11	-	38	21
4.0	25	JP 40 VH	45	82	162.4	37	50	-	80	24
	10	JP 40 XH	30	54	71.9	-	41	57.5	100	24
	25	JP 40 YH	80	152	162.4	-	12	-	43	24
5.0	25	JP 50 VH	50	90	203.0	35	52	-	90	30
	10	JP 50 XH	35	62	90.0	-	46	71.5	120	30
	25	JP 50 YH	90	189	203.0	-	15	-	55	30



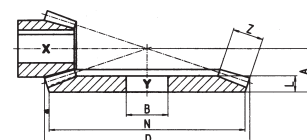
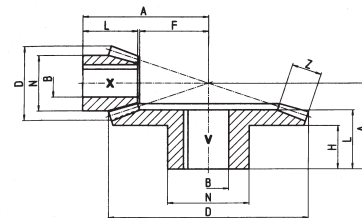
Toleransen på kilspåret motsvarar ISO/R773-1969
 The tolerance of the key-ways correspond to ISO/R773-1969

Serie KP-H

Utväxling 1:3

Ratio 1:3

Normal mod. Normale mod.	Kuggantal No. of teeth	Typ Type	B JS7	N	D	H	L	F	A	Z
2.5	30	KP 25 VH	30	55	113.7	24	31	-	50	15
	10	KP 25 XH	15	28	42.7	-	17	42.0	60	15
	30	KP 25 YH	45	108	113.7	-	7	-	26	15
3.0	30	KP 30 VH	35	65	136.5	29	37	-	60	18
	10	KP 30 XH	17	36	51.1	-	23	50.5	75	18
	30	KP 30 YH	55	130	136.5	-	8	-	31	18
3.5	30	KP 35 VH	40	72	159.3	29	39	-	65	22
	10	KP 35 XH	20	40	59.6	-	31	57.5	90	22
	30	KP 35 YH	70	152	159.3	-	10	-	36	22
4.0	30	KP 40 VH	45	82	182.0	39	50	-	80	26
	10	KP 40 XH	25	45	68.2	-	34	65.0	100	26
	30	KP 40 YH	85	173	182.0	-	11	-	41	26
5.0	30	KP 50 VH	50	90	227.6	37	53	-	90	31
	10	KP 50 XH	30	60	85.1	-	40	82.5	125	31
	30	KP 50 YH	110	216	227.6	-	15	-	53	31



Toleransen på kilspåret motsvarar ISO/R773-1969
 The tolerance of the key-ways correspond to ISO/R773-1969

TEKNISK INFORMATION FÖR CYLINDRISKA KUGGHJUL

TECHNICAL INFORMATION FOR SPURGEARS

Cyl. Kugghjul

Cyl. Kugghjul i standardutförande har axelhålstorelans H7. Vid bearbetning av kugghjul skall upp-spänning ske på ytterdiametern med mjuka backar. Uppspänning får absolut ej ske på navets yrrerdiameter då denna ej är centrerad i förhållande till delningsdiametern.

Material

Cyl. Kugghjul i standardutförande är tillverkade av material motsvarande SS 1650, med minimum hållfasthet = 590 N/mm². Kugghjulen kan induktionshärddas eller flamhärddas vilket ger en hårdhet av 55-61 HRC

Härdtemperatur = 860°C
Härdvätska = Tempererat vatten
Anlöpningstemperatur = 200-400°C

Kuggkvalite

Cyl. Kugghjul i standardkvalite är tillverkade med evolventkugg enl. DIN 867, SMS 296, ISO/R 53-1957. 20° ingreppsvinkel och kuggkvalité motsvarande 8 fs enl. DIN 3962/3963/3967.

Montering

Tolerans på axelavståndet vid montering gäller enl: DIN 3964.

Som riktlinje gäller följande:

±0.03 mm på axelavstånd upp till 40 mm
±0.04 mm på axelavstånd upp till 100 mm
±0.05 mm på axelavstånd upp till 250 mm
±0.07 mm på axelavstånd större än 250 mm

Standard Spurgears

During machining, the spurgears shall be clamped on the outer diameter. Clamping on the hub is not recommended while the pitch diameter not is aligned with the outer diameter on the hub

Material

Standart spurgear are manufactured in steel equivalent to SS 1650 with a minimum tensile strenght of 590 N/mm². When higher strenght are required the spurgears can be heat treated by induction or flame-hardened.

*Hardening temperature = 860°C
Hardening liquid = Tempered water
Tempering = 200-400°C*

Tooth Profile

Standart spurgear are manufactured with involute tooth according to DIN 867, SMS 296, ISO/R 53-1957. Presure angle 20° and tooth profile 8 fs according to DIN 3962/3963/3967.

Montage

The tolerance range of the mouting position (centerdistance) are according to DIN 3964.

As a rough formula following can be used:

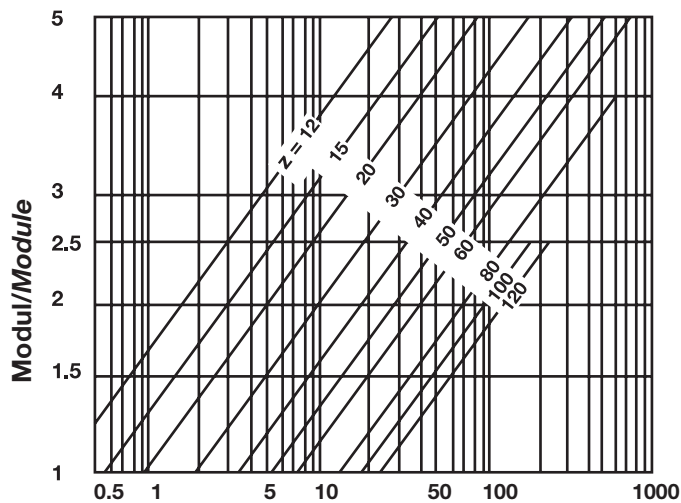
*±0.03 mm on centerdistance up to 40 mm
±0.04 mm on centerdistance up to 100 mm
±0.05 mm on centerdistance up to 250 mm
±0.07 mm on centerdistance larger then 250 mm*

TEKNISK INFORMATION FÖR CYLINDRISKA KUGGHJUL

TECHNICAL INFORMATION FOR SPURGEARS

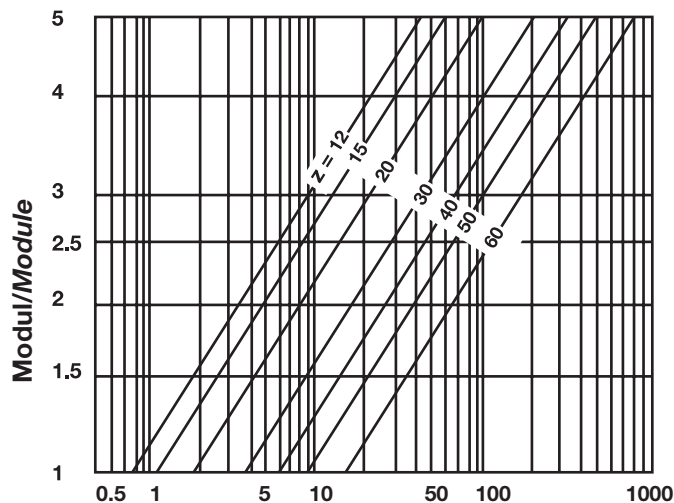
Material: Stål/Steel

Smala typen bredd = 8 x Modul
Narrow type = 8 x Modules



M_d Vridmoment Nm / Torque Nm

Breda typen bredd = 10 x Modul
Wide type = 10 x Modules



M_d Vridmoment Nm / Torque Nm

M_d (Diagram) = Säkerhetsfaktor x M_d x Belastningsfaktor

M_d (Graph) = Safety factor x M_d x Load factor

Säkerhetsfaktor/Safety factor

Underordnad säkerhet/Minor safety factor	0.5 - 1.0
Normal säkerhet/Normal safety factor	1.0 - 1.25
Förhöjd säkerhet/Increased safety factor	1.25 - 2.0

Stödgrad Impact Load	Maskintyp/Driven Unit	
I	Transportband Generatorer Ventilationer	Conveyors Generators Ventilators
II	Hissar Vinschar Blandare Kranar	Elevators Lifting jachs Mixers Cranes
III	Stansar Saxar Valsverk Pressar	Punchers. Cutters Rolling mills, Chrchers

Belastningsfaktor/Load factor

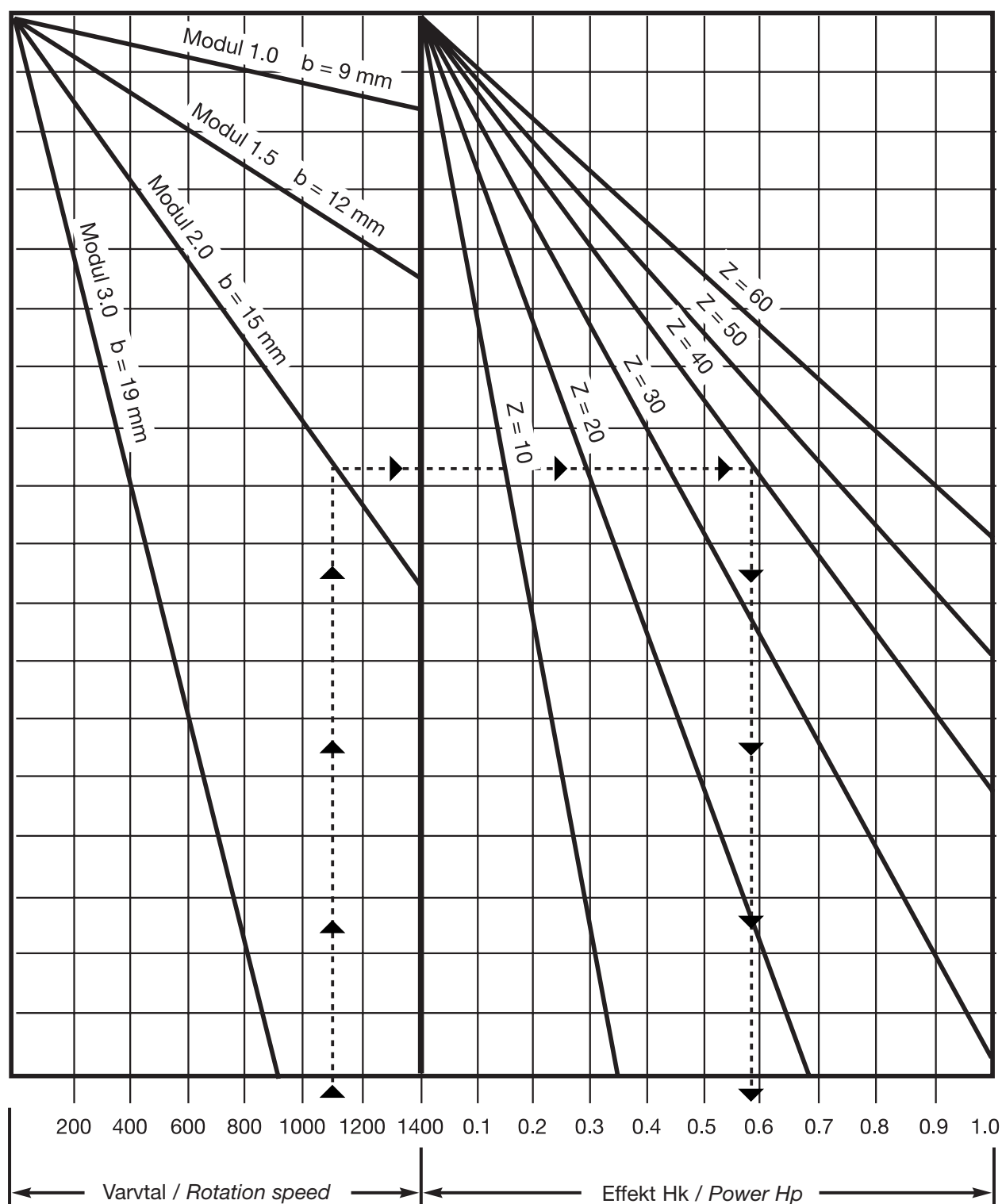
Stödgrad Impact Load	Maskintyp/Driven Unit								
	Elmotorer, drifttid/dygn Electric motors, operating hours/24hours			Förbränningsmotorer drifttid/dygn Multiple cylinder combustion engines operating hours/24hours			Encylindriga Förbränningsmotor drifttid/dygn Single cylinder combustion engines, operating hours/24hours		
	3	8	24	3	8	24	3	8	24
I	0.75	1.00	1.25	0.95	1.20	1.45	1.45	1.55	1.60
II	0.95	1.20	1.45	1.10	1.35	1.60	1.25	1.50	1.75
III	1.25	1.50	1.75	1.45	1.70	1.95	1.60	1.85	2.10

TEKNISK INFORMATION FÖR SPRUTADE KUGGHJUL

TECHNICAL INFORMATION FOR INJECTION MOULDED GEARS

Teoretiskt överförbar effekt för typ SH och KH
vid en arbetstemperatur från 20° till 40°.
Min-Max arbetstemperatur -40° till +80°

Theoretical transmittable power for type SH and KH
with a working temperature from 20°C to 40°C.
Min-Max working temperature -40°C to +80°C



Reservation för måttförändringar / Reservation for dimensional changes
Mått i mm / Dimensions in mm